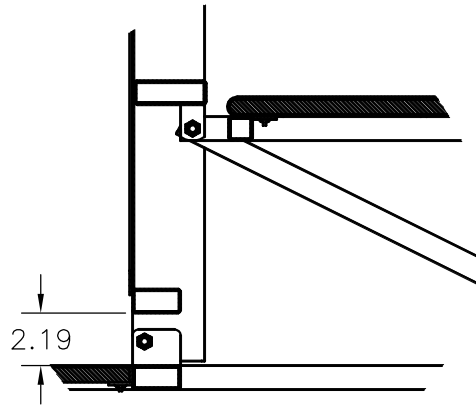
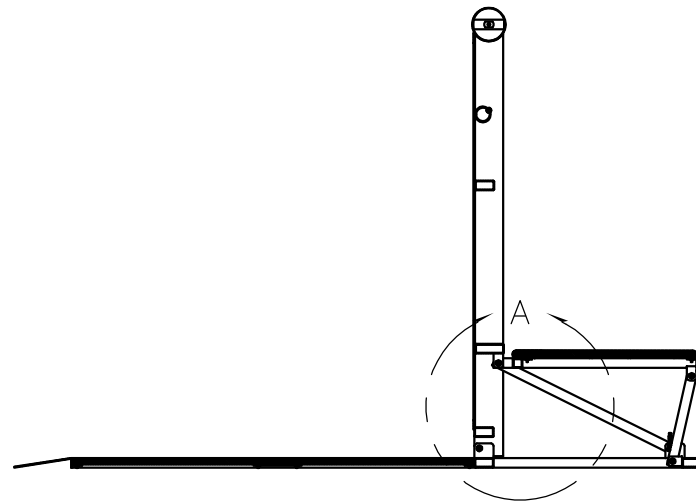
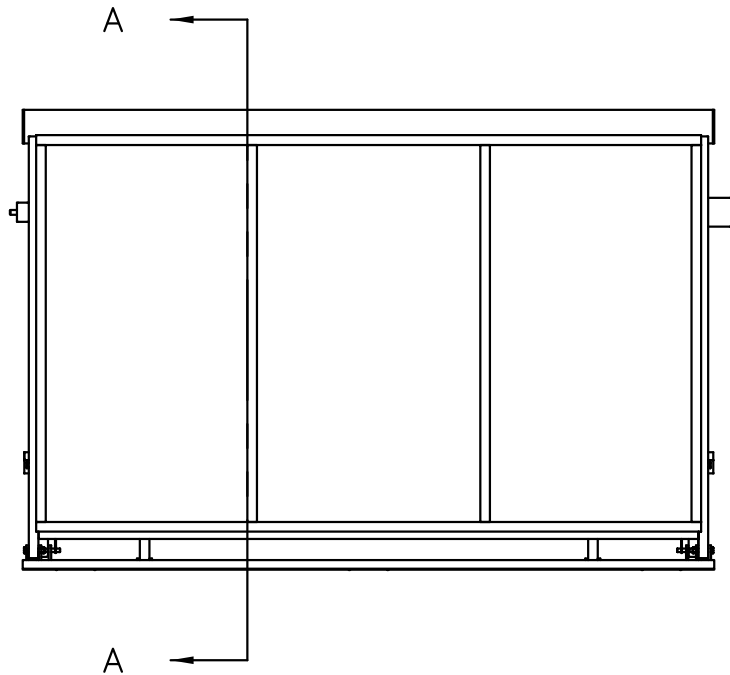


		SHEET: 1 of 1	
DRAWING NO. BARRIER		REV A	



DETAIL A  
SCALE 1:8



SECTION A-A

DRAWING TYPE SOLID	FINISH NONE	U/M PC	TOLERANCES ARE NON-ACCUMULATIVE UNLESS OTHERWISE NOTED TOLERANCES ARE: .XXXX±.0005 .XXX±.010 .XX±.03 ANGLES ± 1° FRACTIONS ± 1/32	DIMENSIONS ARE IN INCHES AND [MM'S]	REV A	ECO 0000	DATE 09FEB04	BY DJB		
<b>SICO</b> SICO NORTH AMERICA 7525 CAHILL ROAD MINNEAPOLIS, MN 55439				COPYRIGHT 2004 DO NOT SCALE DRAWING	6 FOOT FREESTANDING CROWD BARRIER		SCALE NTS	DRAWING NO. BARRIER	REV A	SHEET 1 of 1