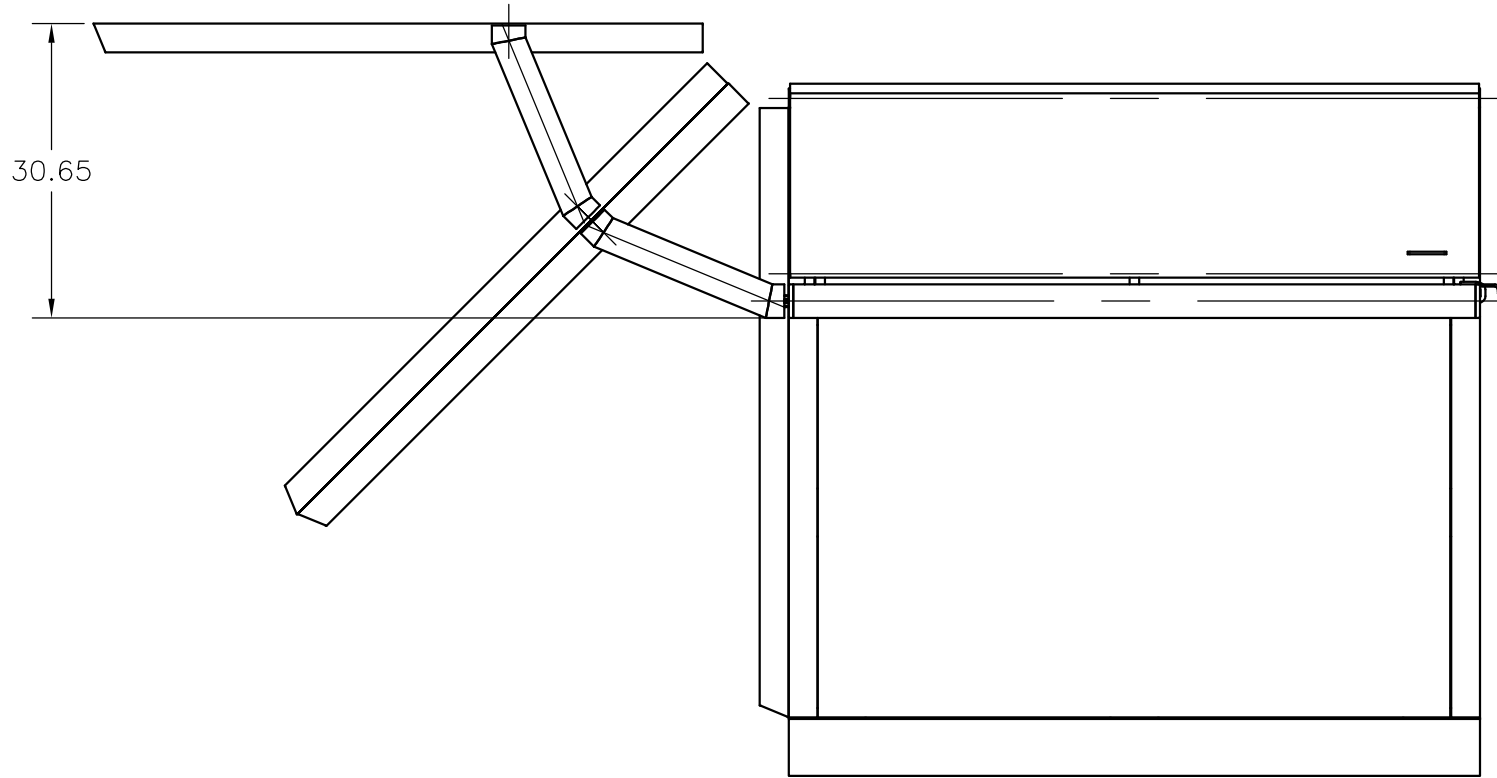


		SHEET: 1 of 1	
DRAWING NO. OUTSIDE 90		REV A	



DRAWING TYPE SOLID	FINISH NONE	U/M PC	TOLERANCES ARE NON-ACCUMULATIVE UNLESS OTHERWISE NOTED TOLERANCES ARE: .XXXX±.0005 .XXX±.010 .XX±.03 ANGLES ± 1° FRACTIONS ± 1/32	DIMENSIONS ARE IN INCHES AND [MM'S]	REV A	ECO 0000	DATE 08MAR04	BY DJB				
SICO SICO NORTH AMERICA 7525 CAHILL ROAD MINNEAPOLIS, MN 55439					COPYRIGHT 2004 DO NOT SCALE DRAWING		PLAN OUTSIDE 90 CROWD BARRIER ANGLE		SCALE 1:20	DRAWING NO. OUTSIDE 90	REV A	SHEET 1 of 1

FORM: MDT6TBLK