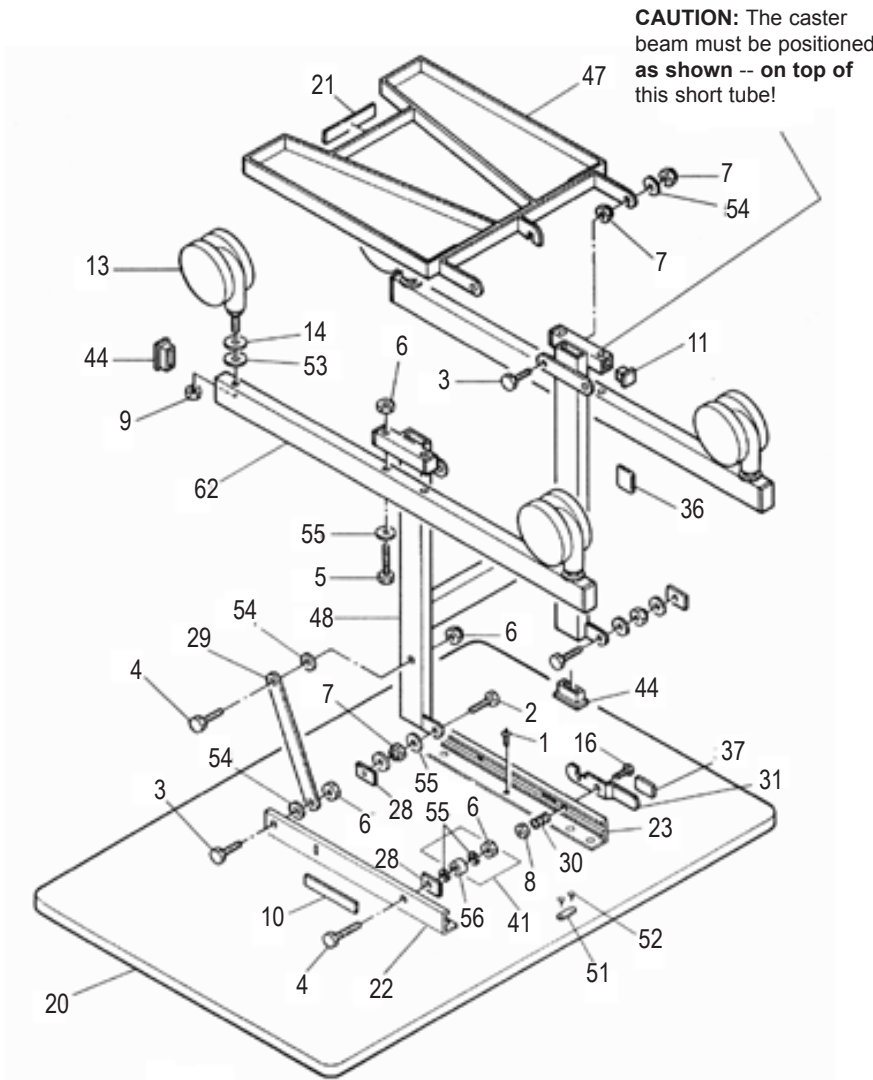




ROOM SERVICE TABLE

Model No. TRU3



IMPORTANT: Always provide Serial No. when ordering parts.

Item No.	Description
1	Rivet
2	Cap Screw, 3/8" x 1"
3	Cap Screw, 3/8" x 1-1/4"
4	Cap Screw, 3/8" x 2"
5	Cap Screw, 3/8" x 3-3/4"
6	Lock Nut, 3/8"
7	Lock Nut, Thin, 3/8"
8	Lock Nut, 1/4-20
9	Lock Nut, M14-2
10	Plate, serial number
11	Tube Cap, 1" Square
13	Caster, swivel
14	Fender Washer, 1/2"
16	Cap Screw, 1/4-20 x 1-1/4"
20	Top
21	Label, rack
22	Channel, RH
23	Channel, LH
26	Ring, retaining
28	Glide/Stop
29	Lever, support
30	Spring, lock release
31	Release, top lock
36	Label, lock release
37	Label, top release
44	Tube Cap, 1" x 2"
47	Rack
48	Leg Weldment
51	Pull, finger
52	Screw, #6 x 3/4"
53	Washer, Neoprene
54	Washer, plastic, 3/8"
55	Washer, 3/8"
56	Sleeve, flex
60	Label, parts list
62	Caster Beam

SICO INCORPORATED
P.O. Box 1169
Minneapolis, Minnesota 55440, USA
Phone: (612) 941-1700
FAX: (612) 941-6737

Customer Service: 1-800-424-0796

SICO Inc. reserves the right to substitute materials or make changes, if materials are not available or such changes improve the product.

To Fold the Top Flat

Pull the top toward you, then press down until the latch snaps. Check carefully that the top is securely latched.

To Tilt the Top for Transport or Storage

Press the bar marked "Top Release -- PUSH," and lift the top to tilt it back. Tables can then be nested to take up minimum storage space.