

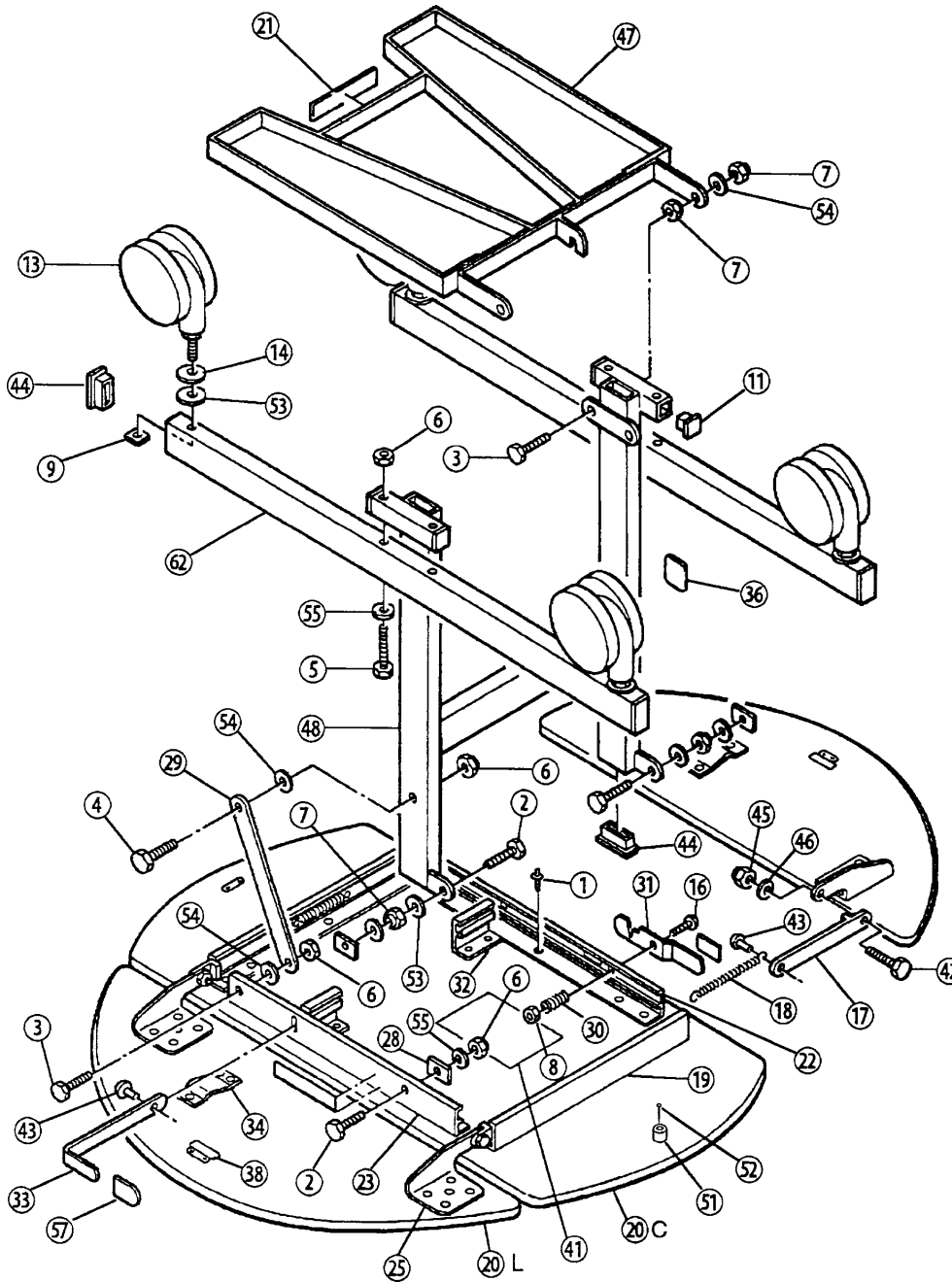


# ROOM SERVICE TABLE

Model No. TRT3 (Tri-Fold)  
Model No. TRB3 (Bi-Fold)

See reverse side for assembly instructions.

**IMPORTANT:** Always provide Serial No. when ordering parts.



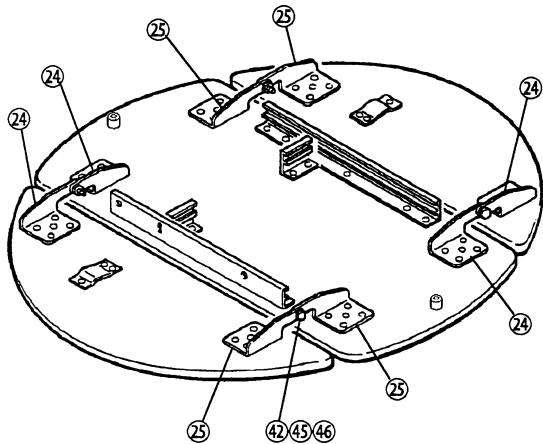
Item No.	Description
1	Rivet
2	Cap Screw, 3/8" x 1"
3	Cap Screw, 3/8" x 1-1/4"
4	Cap Screw, 3/8" x 2"
5	Cap Screw, 3/8" x 3-3/4"
6	Lock Nut, 3/8"
7	Lock Nut, thin, 3/8"
8	Lock Nut, 1/4-20
9	Lock Nut, M14-2
11	Tube Cap, 1" square
13	Caster, 4"
14	Fender Washer, 1/2"
15	Top, square (complete)
15C	Top Center, square
15L	Top Leaf, square
16	Cap Screw, 1/4-20 x 1-1/4"
17	Slide Weldment, hinge
18	Spring
19	Channel, slide hinge
20	Top, oval (complete)
20C	Top Center, oval
20L	Top Leaf, oval
21	Label, rack
22	Channel, RH
23	Channel, LH
24	Hinge, LH
25	Hinge, RH
26	Ring, retaining
28	Glide/Stop
29	Lever, support
30	Spring, lock release
31	Release, top lock
32	Bracket
33	Support, leaf
34	Ramp
35	Rod, pivot
36	Label, lock release
37	Label, top release
38	Label
41	Instructions, operating
42	Shoulder Bolt, 1/4"
43	Pin, drive
44	Tube Cap, 1" x 2"
45	Nut, 10-24
46	Washer, 3/16"
47	Rack
48	Leg Weldment
49	Beam, caster
51	Bumper
52	Screw, 1"
53	Washer, Neoprene
54	Washer, plastic, 3/8"
55	Washer, 3/8"
57	Cap
62	Caster Beam

Tri-Fold Model shown, with oval top.

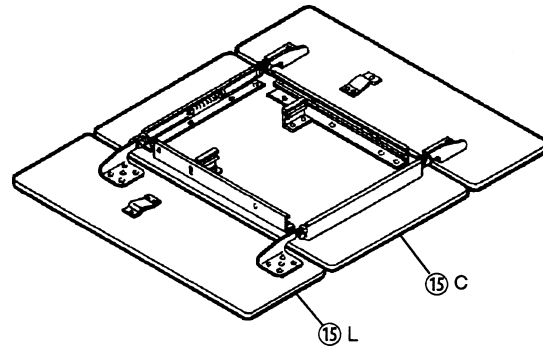
See reverse side for square top, and for hinge variation on Bi-Fold Model.

# Parts Variations on Other Models

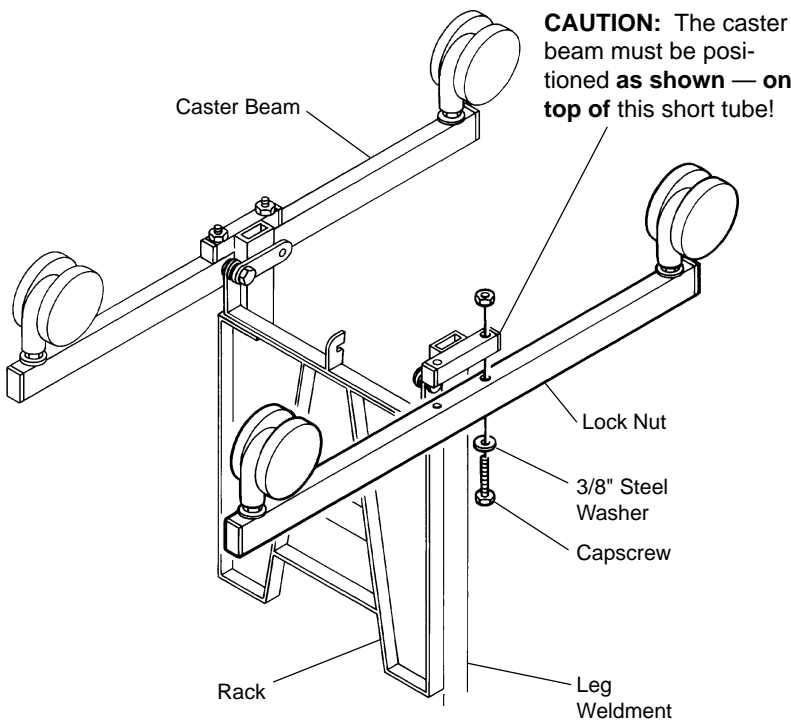
Hinge Parts on Bi-Fold Model No. TRB3



Square Top



## Assembly Instructions



1. Lay the table flat on a smooth surface.
  2. Unfold the leg weldment to its upright position.
  3. Remove the four 3-3/4" capscrews and lock nuts from the cloth bag attached to the rack.
  4. Hold the caster beam with the casters facing up. Attach it to the leg weldment with two capscrews and lock nuts.
- Repeat with the other caster beam.
5. Tighten the nuts securely. Make sure the caster beams are square with the leg weldments.

Visit our website at  
[www.sicoinc.com](http://www.sicoinc.com)

### The Americas

SICO America Inc.  
USA  
In U.S., phone (800) 328-6138  
Outside U.S., (952) 941-1700  
Fax: (952) 941-6688  
E-mail: [sales@sicoinc.com](mailto:sales@sicoinc.com)

### Europe

SICO Europe LTD.  
England  
Phone [44] (1303) 234000  
Fax: [44] (1303) 234001  
E-mail: [sales@sicoeurope.com](mailto:sales@sicoeurope.com)

### Spain & Portugal

Sistemas SICO S.L.  
Spain  
Phone [34] (91) 358-9076  
Fax: [34] (91) 358-9264  
E-mail: [sico@sistemas-sico.com](mailto:sico@sistemas-sico.com)

### Australasia & South Africa

SICO South Pacific  
Australia  
Phone [61] (2) 4388-5100  
Fax: [61] (2) 4389-1341  
E-mail: [sales@sicosp.com.au](mailto:sales@sicosp.com.au)

### Japan

SICO Nippon Co., LTD  
Japan  
Phone [81] (3) 3791-2277  
Fax: [81] (3) 3791-3300  
E-mail: [siconpn@apricot.ocn.ne.jp](mailto:siconpn@apricot.ocn.ne.jp)

### Asean Countries/ Korea & India

SICO Asia PTE LTD.  
Singapore 118535  
Phone [65] 6472-2633  
Fax: [65] 6472-2600  
E-mail: [sales@sicoasia.com](mailto:sales@sicoasia.com)

### China

SICO-SST  
China  
Phone [86] (10) 6467-9126  
Fax: [86] (10) 6466-4815  
E-mail: [sales@sico-sst.com](mailto:sales@sico-sst.com)