

The Dance Floor Caddy is shipped partially assembled. To complete the assembly, follow these simple steps:

HANDLE HOOP

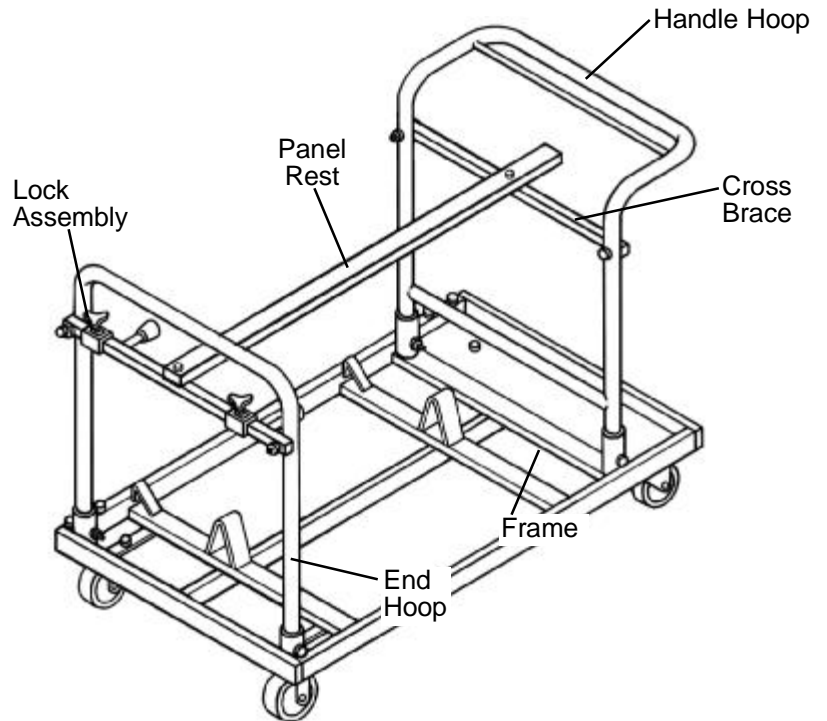
1. Insert the handle hoop into the two sockets at the end of the frame which has the floor panel.
Fasten with two 2" cap screws, **finger-tight**.
IMPORTANT: Do not tighten fasteners until the Caddy is completely assembled.
NOTE: In the following steps, check the parts list illustration on the front to determine whether each screw head should be on the inside or the outside of the hoop post.

END HOOP

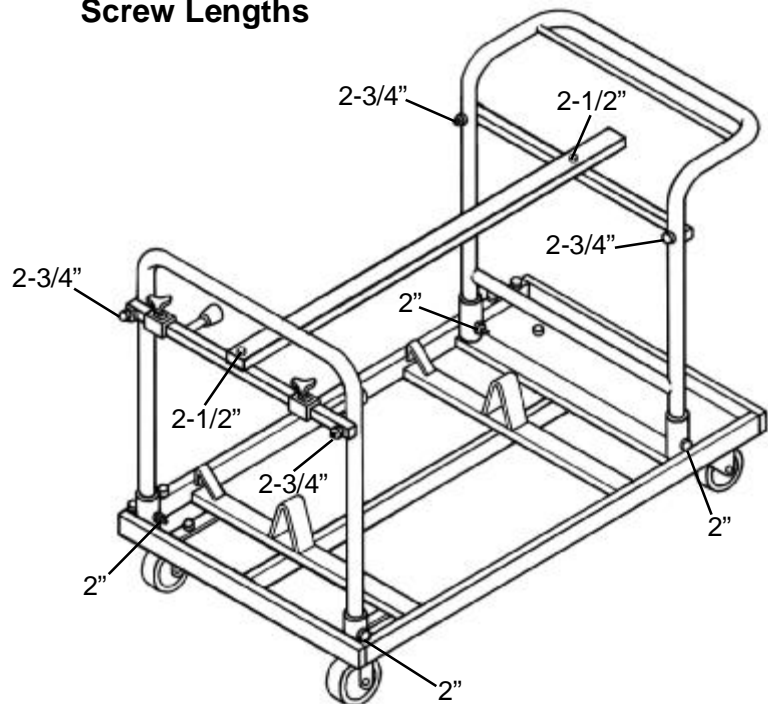
2. Insert the end hoop into the two sockets at the other end.
Fasten with two 2" cap screws, also finger-tighten.

PANEL REST

3. Attach the panel rest to the top of the cross braces between the locks with 2-1/2" cap screws (as shown) and stop nuts.
4. Tighten all fasteners securely.



Screw Lengths



Please have the serial number of the product when contacting customer service.

To receive assistance for:

- Selecting replacement parts / decals
- Repairing the product
- Adjusting and operating the product
- Obtaining On-line assistance

TELEPHONE: 1-800-424-0796

FAX: (952) 829-5141

WEB SITE: WWW.SICOINC.COM

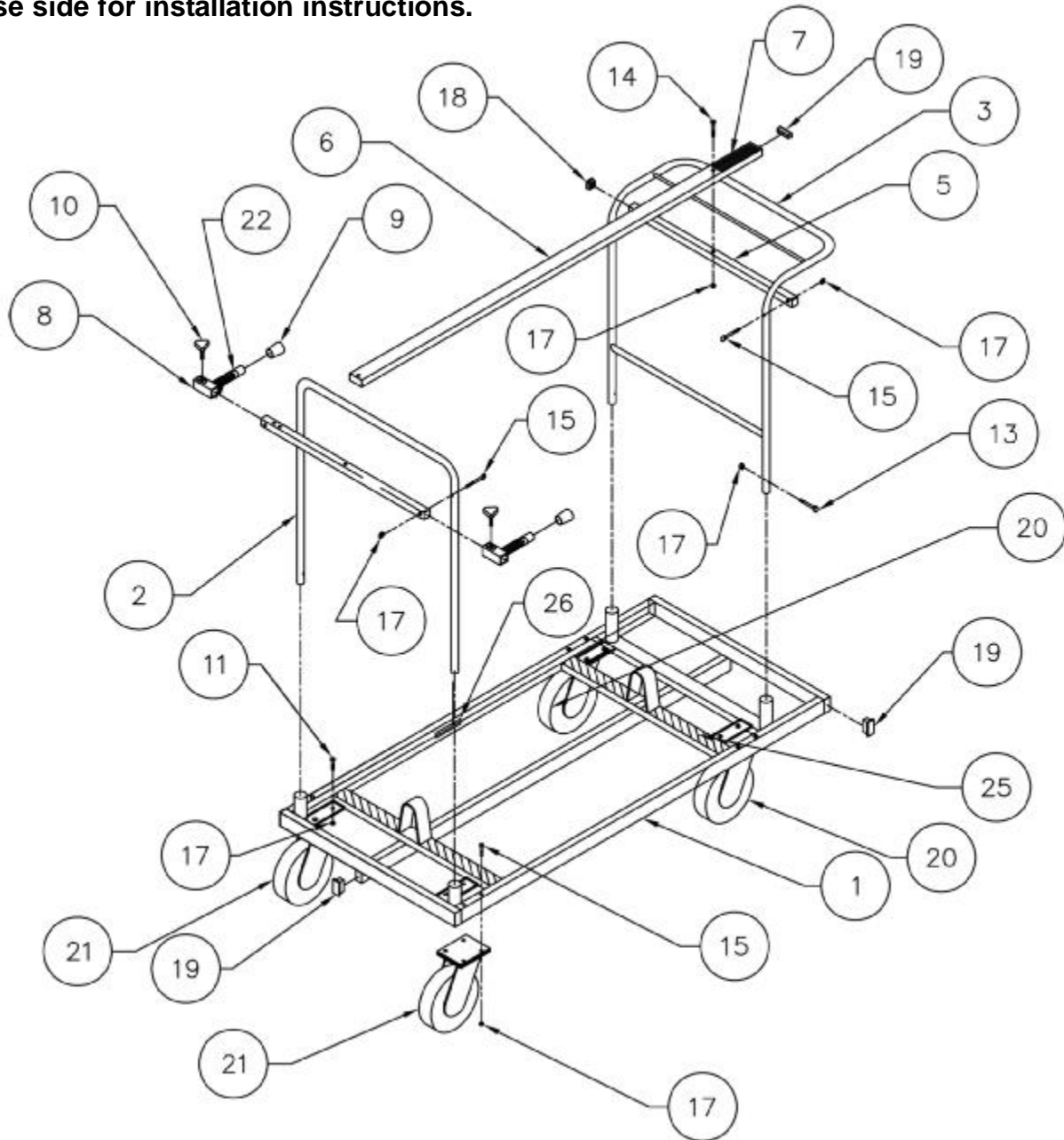
SICO AMERICA INC.
7525 Cahill Road
Minneapolis, MN 55439 USA



DANCE FLOOR CADDY

Model DSC14S

See reverse side for installation instructions.



Item No.	SICO Part No.	DESCRIPTION
1	112636	Frame
2	110062	Hoop, end
3	109425	Weldment, handle
5	112630	Brace, cross
6	112624	Panel Rest
7	112627	Label, dance floor caddy
8	109432	Weld, lock
9	000178	Glide, cap round 1"
10	000788-02	Knob
11	000241	Screw, C HH
13	000245	Screw, C HH .38-24 x 2.00

Item No.	SICO Part No.	DESCRIPTION
14	000256	Screw, C HH .38-24 x 2.50"
15	100807	Screw, C HH 3/8-24 x 2-3/4"
17	000305	Nut, stop, 3/8-24
18	000784	Plug SQ .88 x 16 ga.
19	000472	Cap, tube, 1" x 2"
20	107099	Caster, swivel, 8"
21	117926	Caster, rigid, 8"
22	108735	Label DF Oper
23	112625	Instruction Sheet DF
25	000733	Safety Walk, 2.00
26	000575	Identification Plate