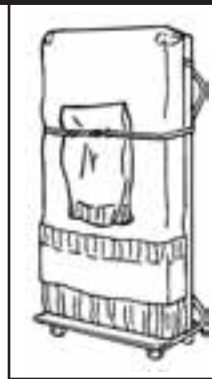


SICO MOBILE SLEEPER

OPERATING INSTRUCTIONS

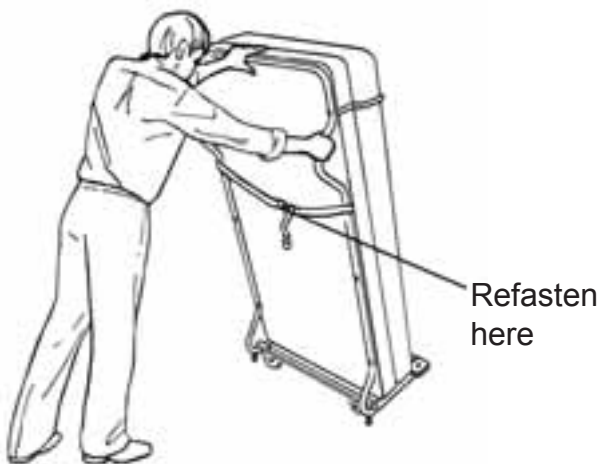
TO MOVE

Always push from the side.



TO SET DOWN

Unhook the strap and remove the pillow.
To keep it safely out of the way, the pillow strap **MUST ALWAYS BE REHOOKED** under the bed as shown below.
Carefully lower the Sleeper to the floor.

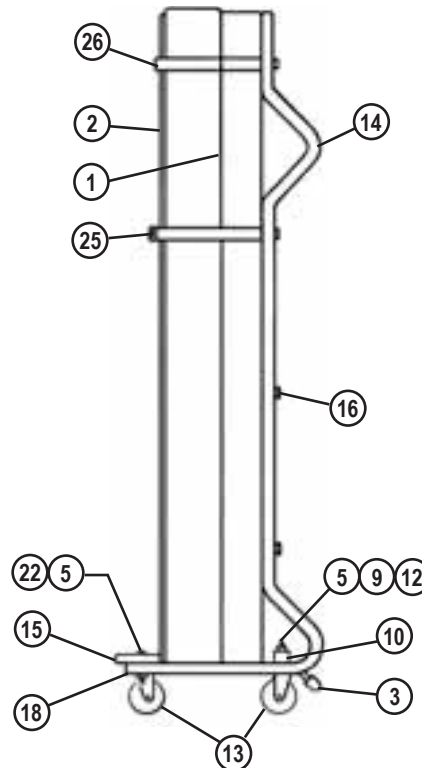


TO CHANGE MATTRESS

Slide the mattress out toward the headboard (without removing the mattress strap).

REPLACEMENT PARTS

Always provide Serial No. when ordering parts (see data plate on end of unit).



Item No.	Description
1	Foundation
2	Mattress
3	Glide, Rubber
5	Nut, hex, 5/16-18
9	Washer, 5/16"
10	1" Tube Plug
12	Cap Screw 5/16" x 1 3/4"
13	Caster, swivel
14	Frame
15	Headboard
16	Screw, #8 x 2-1/2
17	Plate, serial number (not shown)
18	Cap, 1-1/4" tube
22	Bolt, carriage, 5/16-18 x 1 3/4
25	Strap, pillow
26	Strap, Mattress



SICO AMERICA INC., 7525 Cahill Road, Minneapolis, MN 55439-2738

Telephone: (800) 328-6138

Fax: (952) 941-6737

Website: www.sicoinc.com

Part No. 108047

Rev.: C Date: Apr-03

Printed in USA Apr-03