



UNIVERSAL GUARD RAIL

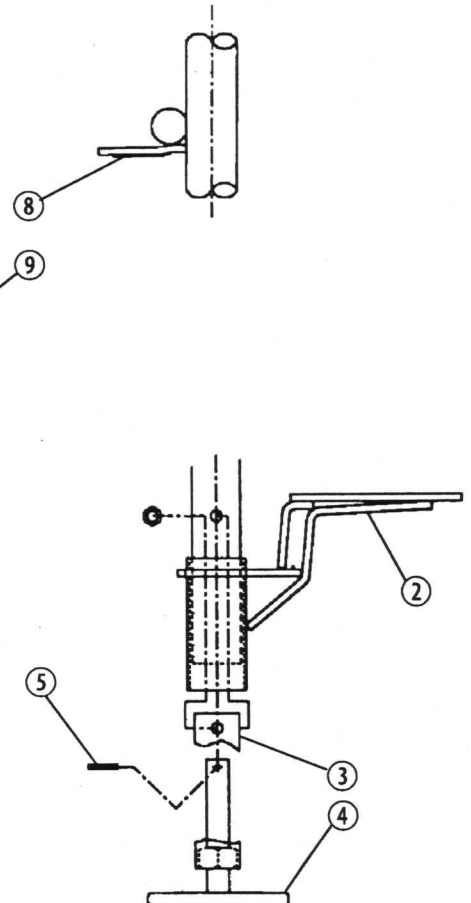
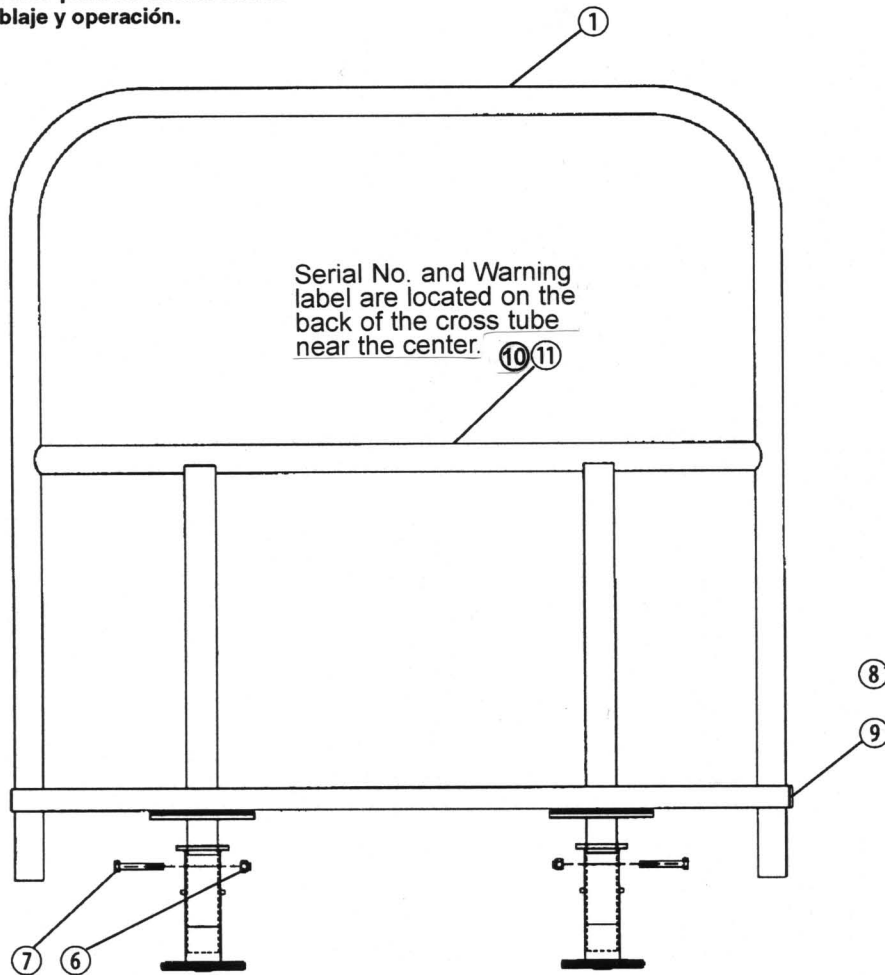
for Tri-Height and Venue-Maker Stages

See reverse side for assembly and operating instructions.

Ver al reverso para las instrucciones de ensamblaje y operación.

IMPORTANT: Always provide Serial No. when ordering parts.

| Item No. | Description |
|----------|-------------------------------------|
| 1 | Rail Weldment |
| 2 | Clamp Weldment, Lower |
| 3 | Connector Weldment |
| 4 | Clamp, Screw |
| 5 | Pin, Spring, 0.19" dia. x 1" |
| 6 | Nut, Stop, 3/8-24 |
| 7 | Capscrew, Hex-Head, 3/8-24 x 2-1/2" |
| 8 | Walk, Safety, 2" wide |
| 9 | Plug, Round, 1-1/4" |
| 10 | Serial Number Plate |
| 11 | Label, Warning |



| ⚠ WARNING | ⚠ AVISO |
|--|--|
| <p>ALWAYS attach Guard Rails to platform, to avoid falls.</p> <p>Failure to do so could result in serious injury.</p> | <p>Para evitar una caída siempre una el barandal al plataforma.</p> <p>El no hacerlo es un riesgo de accidentes.</p> |

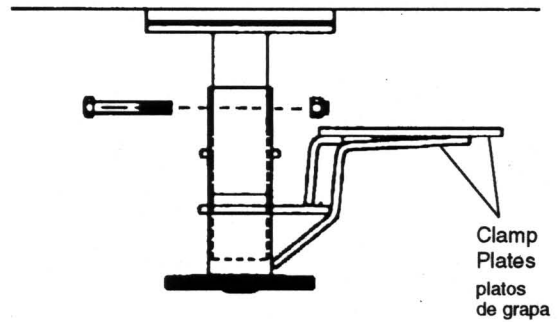
Assembly (Asemblaje)

The Guard Rail is fully assembled, but the stage clamp has been turned 90° (as shown) for easier shipping:

1. Remove the nut and screw on each clamp.
2. Turn the clamp assembly 90° so its clamp plates are on the same side of the Guard Rail as the chair rail bar.
3. Reinstall the screw and nut.

El barandal viene completamente ensamblado pero la grapa del escenario se ha girado 90 grados (vea el dibujo) para facilitar el embarque:

1. Saque el tornillo grande de cada grapa.
2. Gire el ensamblaje de la grapa 90 grados para que sus platos de grapa esten en el mismo lado del barandal que la barandilla para los asientos.
3. Reinstale el tornillo grande.



Operation (Operación)

To Attach the Guard Rail to the Stage

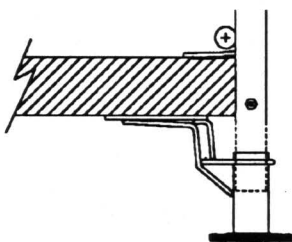
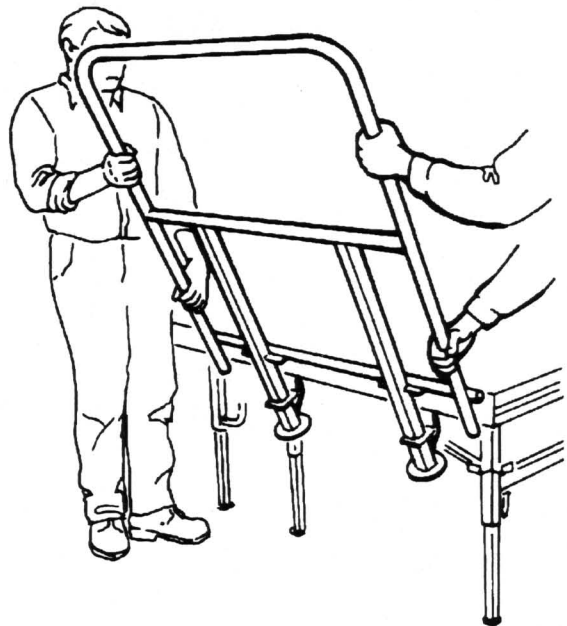
Tri-Height Stage. Open the clamps as far as possible, by turning the yellow clamp screws. Hold the Guard Rail as shown, and slip it onto the edge of the stage deck. Pivot it upright, press it tight against the deck, and securely tighten the clamp screws.

Venue-Maker Stage. Open the clamps (by turning the yellow clamp screws) until you can slide the Guard Rail onto the stage deck. Press it tight against the deck, and securely tighten the clamp screws.

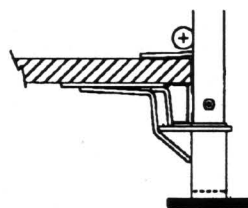
Para sujetar el barandal al tablado

Escenario de tres niveles. Abra las grapas la más abierta posible por girar los tornillos amarillos de grapa. Sostenga el barandal como en la foto, y métalo en la orilla del plataforma. Gírelo hacia arriba, júntelo con el plataforma y aprete girando los tornillos de la grapa.

Escenario de "Venue Maker." Abra las grapas (girando los tornillos amarillos de grapa) hasta que pueda meter el barandal en el plataforma. Aprételo al plataforma y gire los tornillos de grapa.



**Venue-Maker
Stage Deck**



**Tri-Height
Stage Deck**

SICO INCORPORATED
P. O. Box 1169
Minneapolis, Minnesota 55440, USA
Phone: (952) 941-1700
FAX: (952) 941-6737

Customer Service: 1-800-424-0796

SICO Inc. reserves the right to substitute materials or make changes, if materials are not available or such changes improve the product.