



X-PRESS STAGE SYSTEM

OWNER'S MANUAL

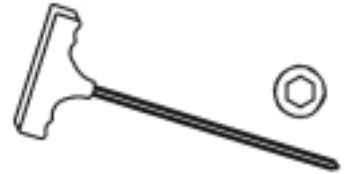
BEFORE YOU BEGIN...

Read and understand these instructions before operating.

Use caution and care for your back when lifting, pushing, pulling, or folding and unfolding these units. Never lift more than you are able to safely handle.

TOOLS REQUIRED

Allen Wrench (provided)



If you have any problems during setup, contact SICO Customer Service at 1-800-424-0796



INTRODUCTION

An X-Press Stage system consists of individual 3x8-ft or 4x8-ft supports (referred in this manual as "frame units").

Decks are installed on top of these frame units. Frame units are connected together by using Snap Locks located on opposite legs of the frame units.

Stage Configurations

X-Press Stages are available in four different height versions:

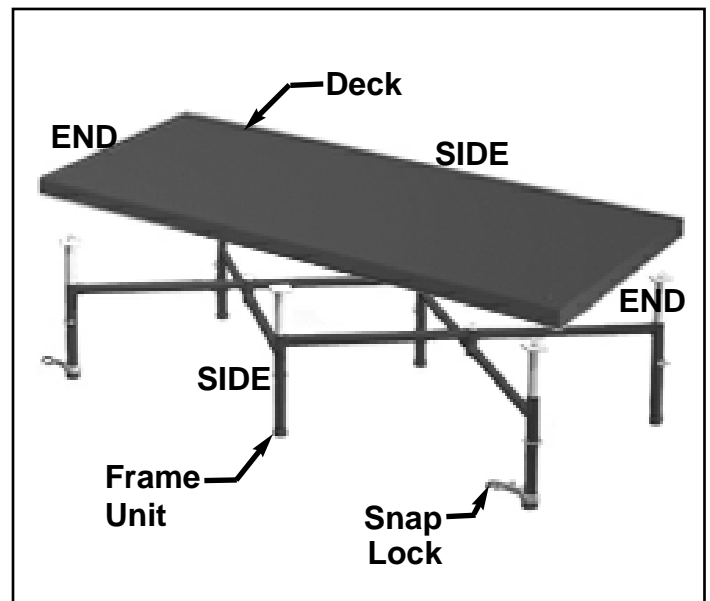
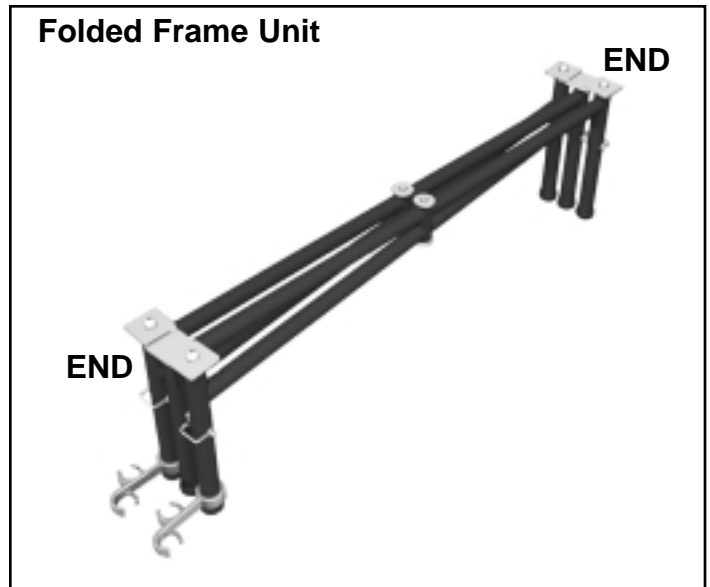
- 6 in. - (no x-frame unit) - single height stage
- 12 in. - single height stage
- 18 to 24 in - two height stage
- 24/30/36 in. - three height stage

Installation (Overview)

To set up a stage or riser, you will:

1. Unfold and secure individual frame units.
2. Adjust the height of the frame units.
3. Install decks on top of the frame units.
4. Position the frame units in rows.

These steps are explained in detail on the following pages.

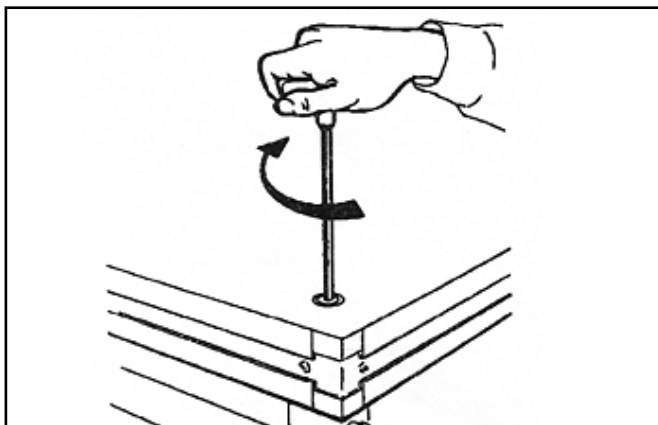
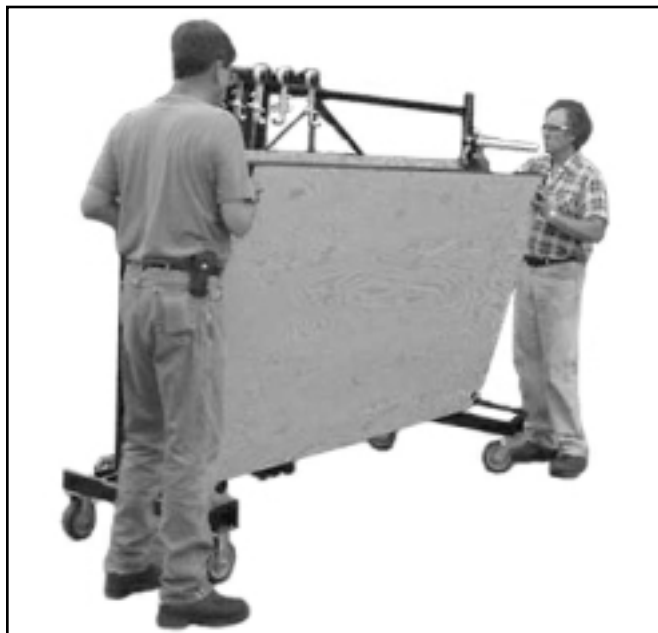


ATTACHING DECK TO THE FRAME UNIT

To Attach Deck to the Frame Unit:

All frame unit leg heights should be set before installing stage decks.

1. Remove the deck from the caddy and carefully lower onto frame unit.
2. Align pegs on the frame unit legs with the holes in the deck corners.
3. Using the Allen Wrench tighten the setscrews at the corners of the deck to secure the deck to the frame unit.

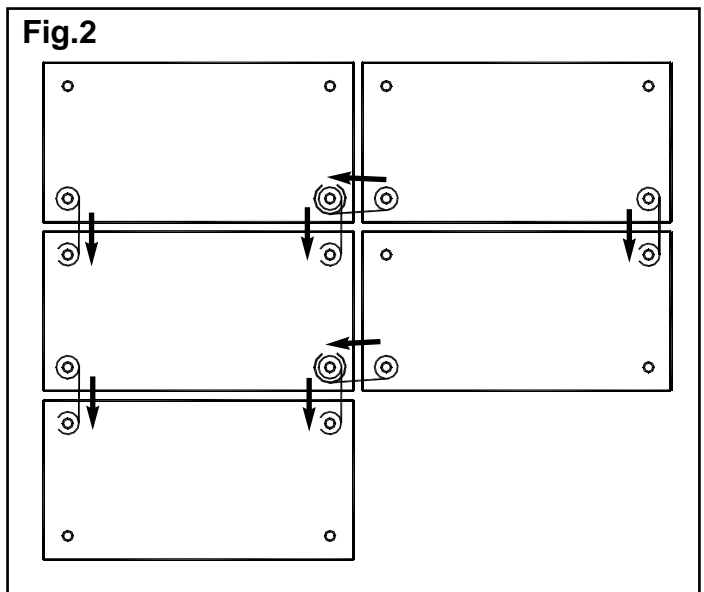
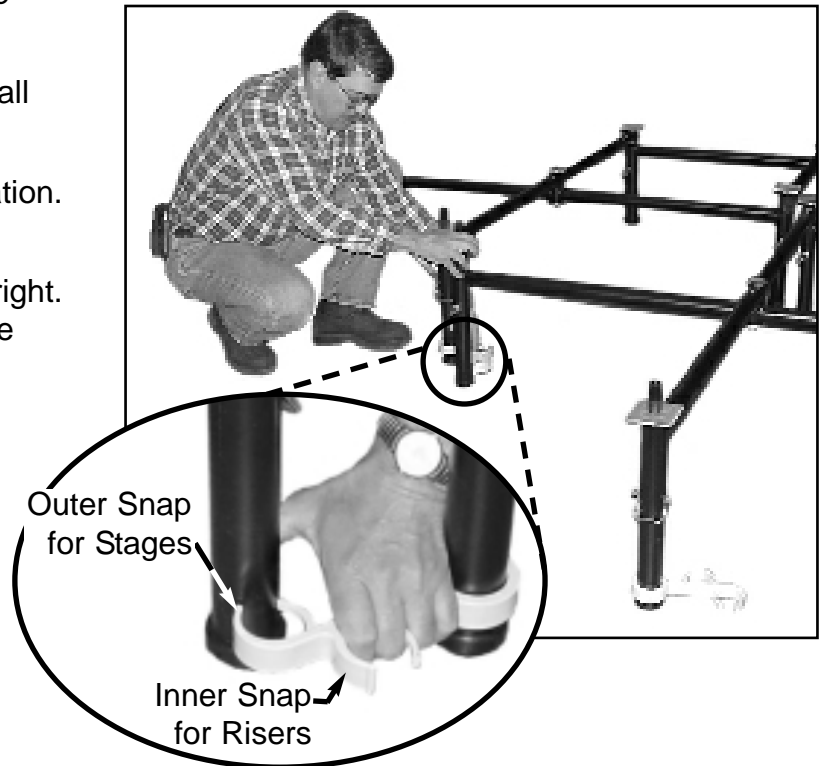
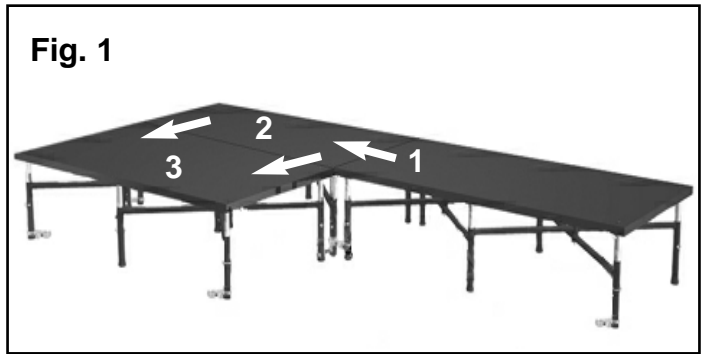


ASSEMBLING ADJOINING FRAME UNITS

CAUTION
Use Snap Locks to attach frames together. Failure to do so could result in injury.

NOTE: In a single height stage configuration, the outer snap will be used. In a riser configuration, the inner snap will be used.

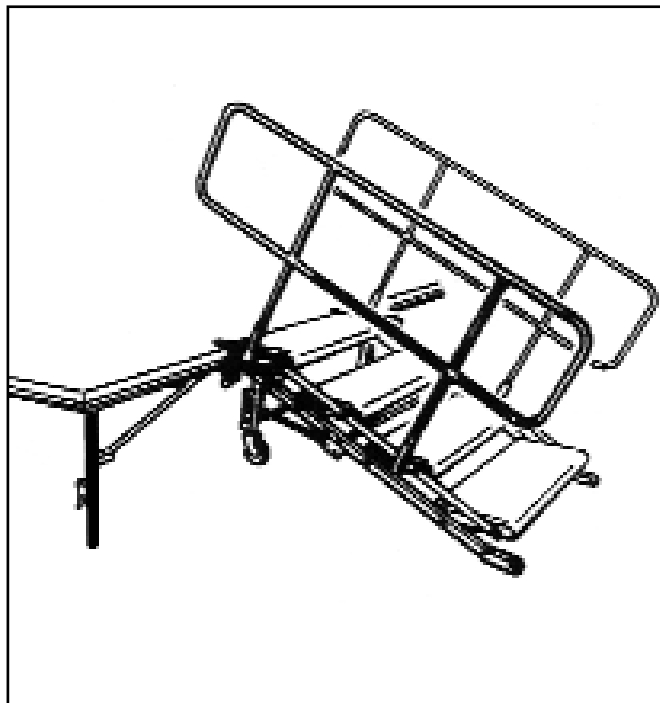
1. Place the left rear unit down with snap locks towards you. (See Fig. 1)
2. Place a unit in front and to the right - all locks should face towards you.
3. Connect locks as shown in the illustration. (Fig. 2).
4. Continue working forward and to the right. Each additional unit will connect to the unit to its left and the one in front.



ATTACHING A STAIRWAY

Detailed information for attaching a stairway are shipped with the ramp.

IMPORTANT: Follow those instructions, and abide by all local, state, and federal regulations regarding stairway design.



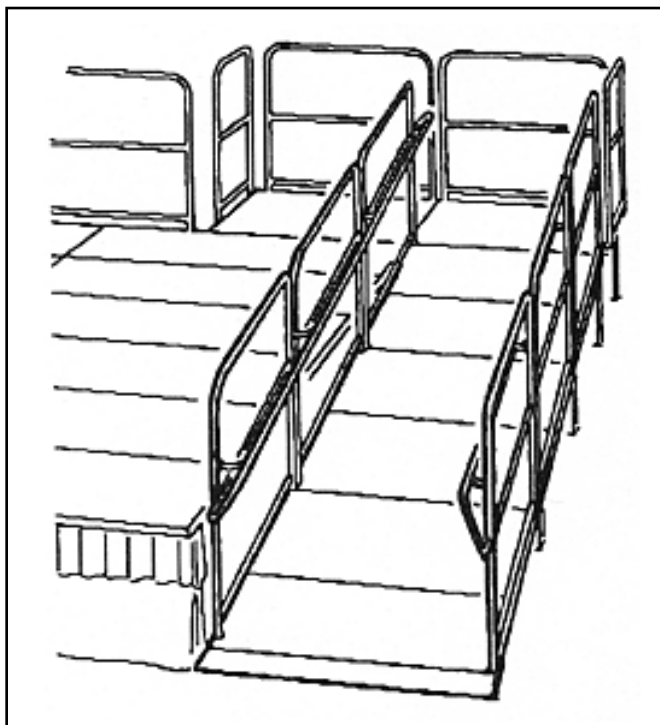
ATTACHING A RAMP

Note: SICO ramps are provided in 6-ft and 8-ft sections with an incline of one inch per foot.

Detailed instructions for attaching a ramp are shipped with the ramp.

IMPORTANT: Follow those instructions, and abide by all local, state, and federal regulations regarding ramp design.

The same instructions include information on installing SICO ramp guard rails, which are designed for use by those in wheelchairs.



ATTACHING GUARD RAILS

NOTE: Instructions on installing ramp guard rails are shipped with the ramp. Flat sections of ramps use the standard platform guard rails shown here.

Use the platform guardrails on all X-Press stage and riser setups. These rails are available in 3-, 4-, 6-, and 8-ft. versions.

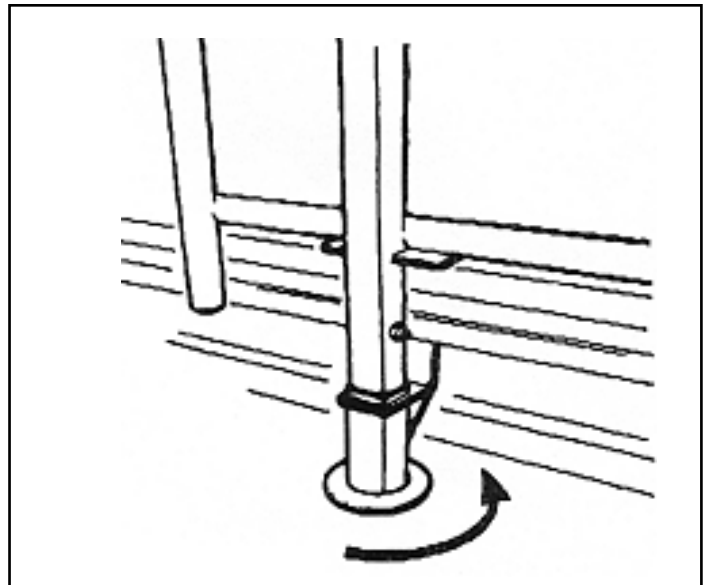
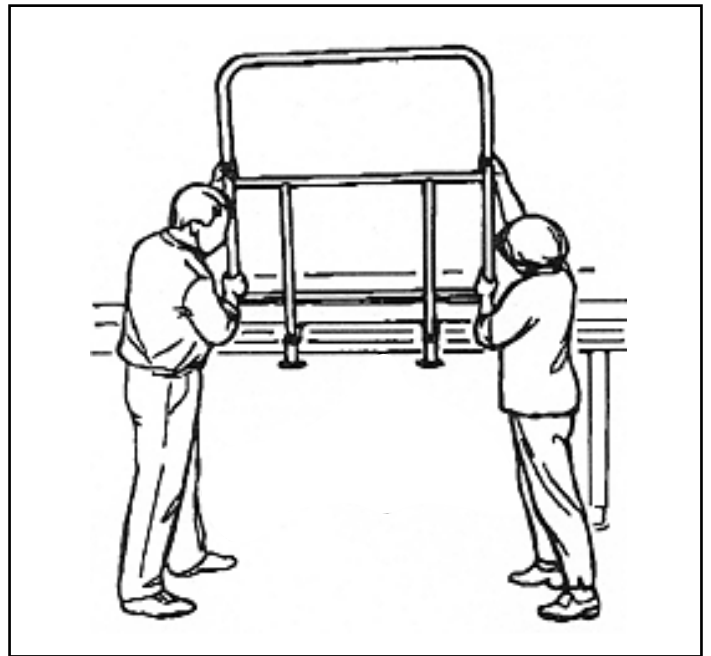
⚠ WARNING

Attach guard rails to riser platform to avoid falls. Failure to do so could result in injury.



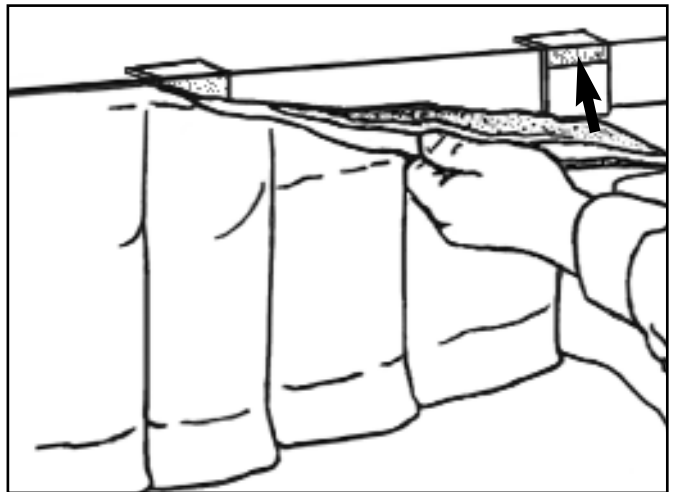
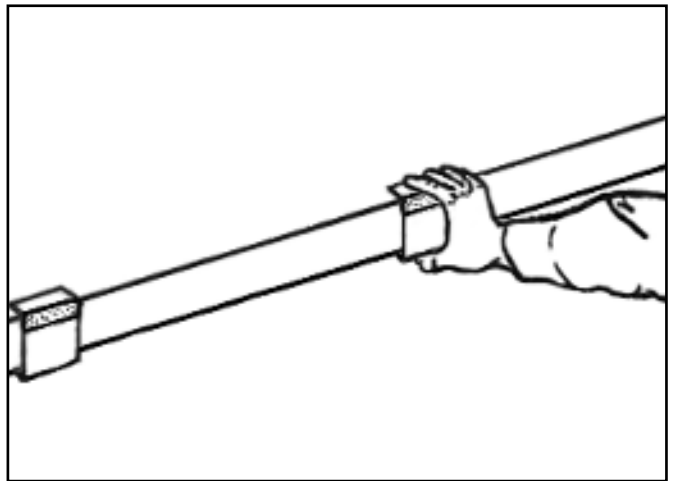
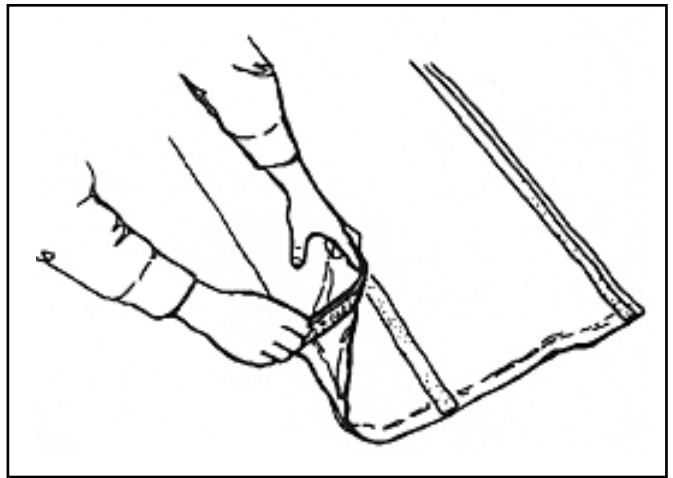
To install the platform guard rails:

1. Lift a rail into place so its jaws slip onto the edge of the deck.
2. Turn the yellow handles to lock the rail against the underside of the deck.
3. Install the remaining rails in the same way.



ATTACHING CLOSURE DRAPERY

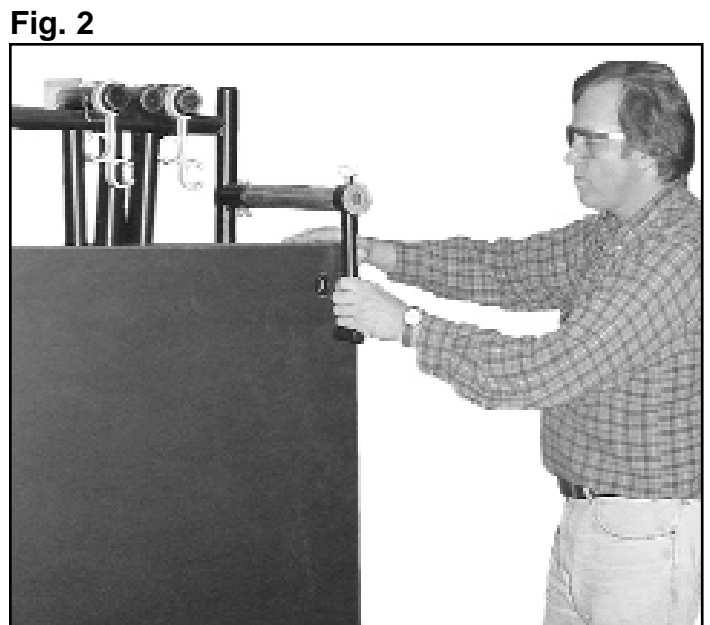
1. Adjust the drapery length to match the stage height. The hook Velcro® strip on the bottom of the drapes can be aligned with the loop Velcro® strips spaced at 6 inch intervals on the back of the drape.
2. Position Velcro® clips every 12" to 18" along the edge of the deck.
3. Attach the drape to the Velcro® clips on the stage deck.
4. Install additional drapery sections in the same way. Overlap adjacent sections as shown in the lower illustration.



DISASSEMBLING THE STAGE OR RISER

1. Disassemble the stage by reversing the assembly procedure.
2. Lift the top of the folded frame unit over the top bar of the caddy, swing bottom legs towards the caddy. (Fig. 1)

IMPORTANT: After placing deck on the caddy, the swing arm lock should be facing down to hold the decks onto the caddy. (Fig. 2)



Notes:


To receive assistance for:

- Selecting replacement parts / decals
- Repairing the product
- Adjusting and operating the product
- Obtaining On-line assistance

TELEPHONE: 1-800-424-0796

FAX: (952) 829-5141

WEB SITE: WWW.SICOINC.COM

 **SICO AMERICA INC.**
7525 Cahill Road
Minneapolis, MN 55439 USA