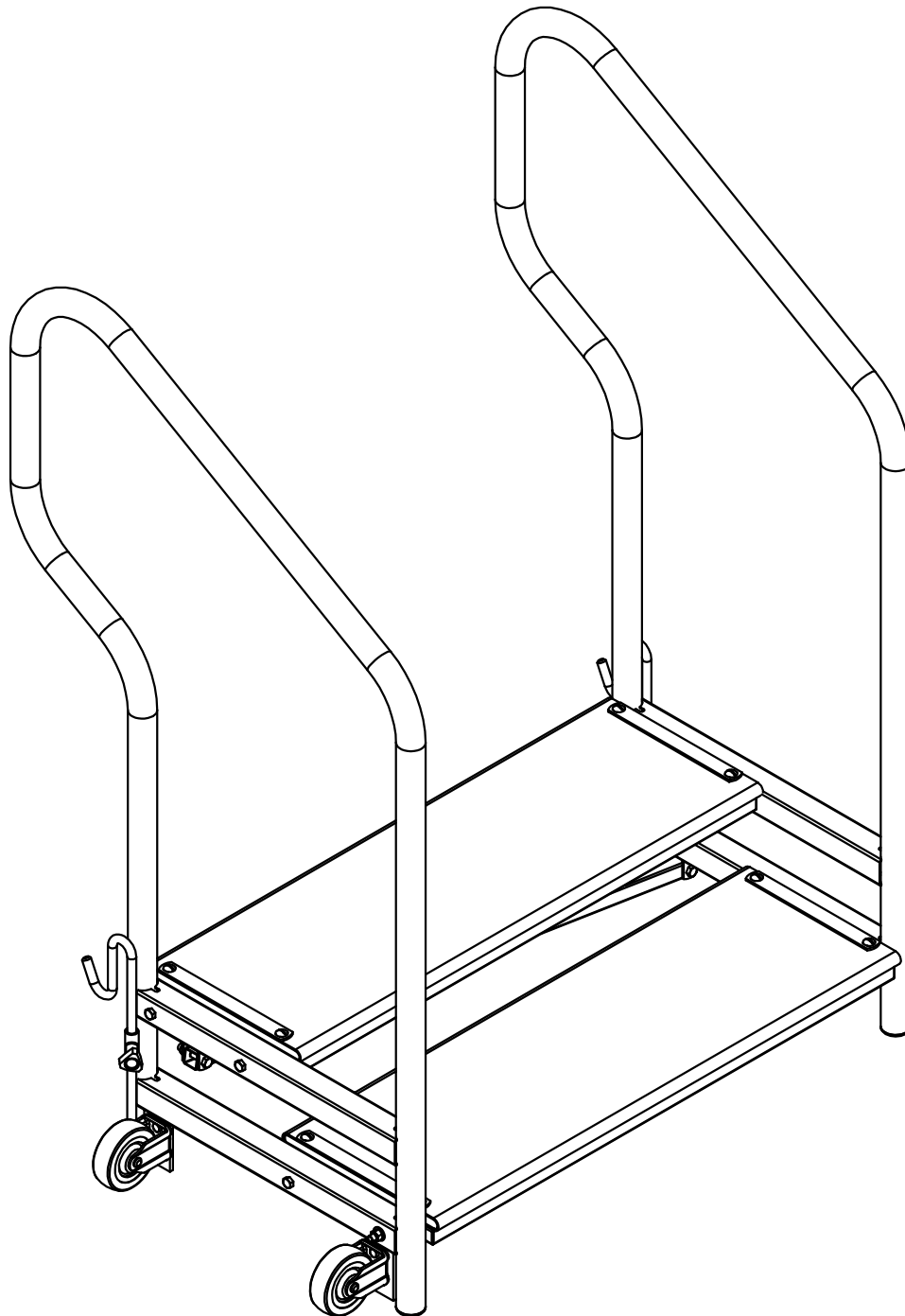


**ASSEMBLY INSTRUCTIONS and PARTS LIST for  
SAS SERIES DUAL HEIGHT STEPS  
6 INCH AND 8 INCH RISE- STANDARD AND UNIVERSAL**



**SICO AMERICA INCORPORATED**

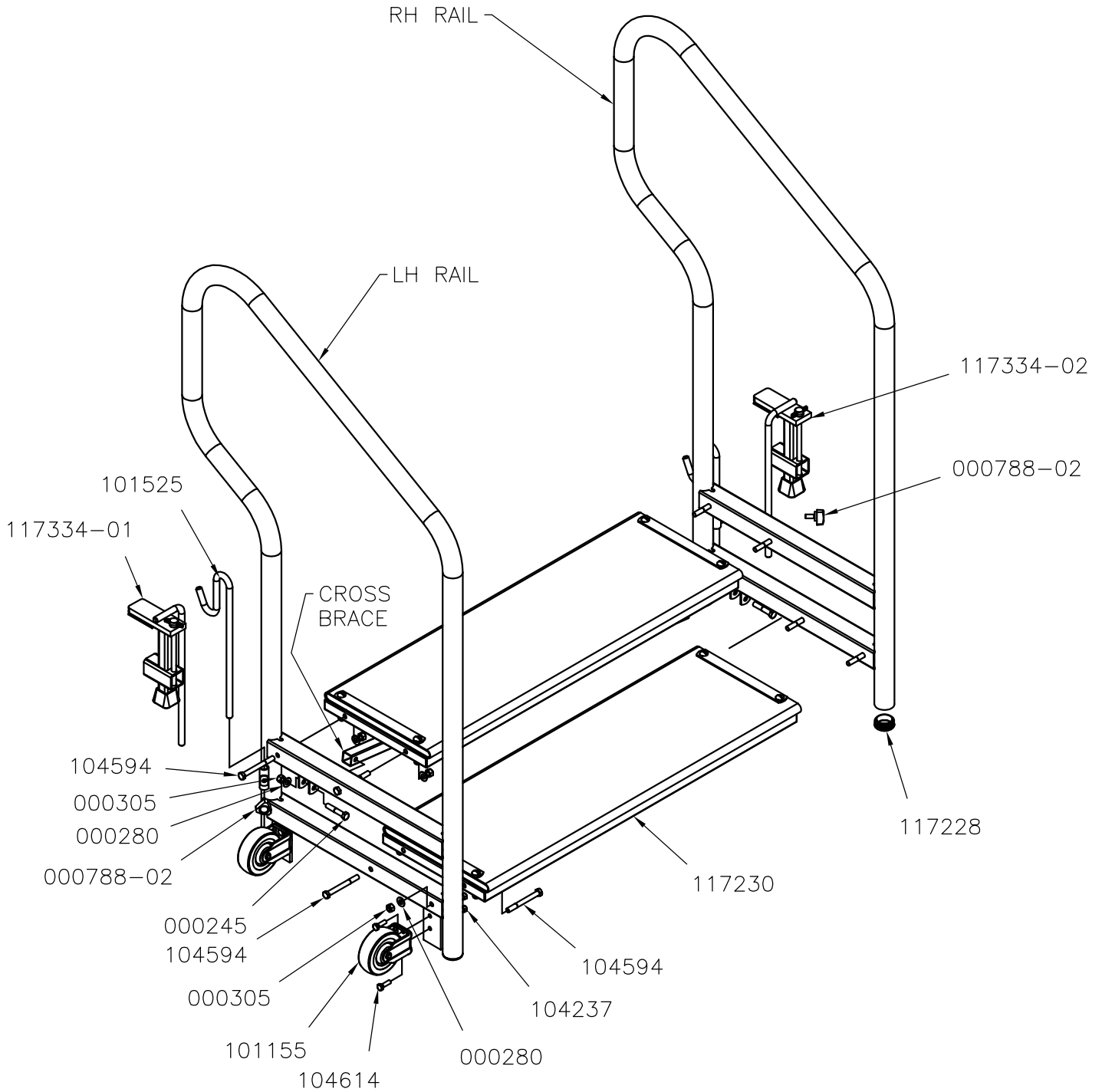
7525 Cahill Road, Minneapolis, Minnesota 55439 USA

Toll Free: 800-328-6138 Phone: 952-941-1700 Fax: 952-941-6688

e-mail: [sales@sicoinc.com](mailto:sales@sicoinc.com) website: [www.sicoinc.com](http://www.sicoinc.com)

# ASSEMBLY INSTRUCTIONS

## EXPLODED ASSEMBLY



# ASSEMBLY INSTRUCTIONS

## EXPLODED ASSEMBLY

NAME	DESCRIPTION	QTY
000245	SCR C HH .38-24x2.00	2
000280	WASHER 3/8 SAE	10
000305	NUT STOP .38-24	10
000788-02	KNOB YELLOW 5/16-18	2
101155	4" RIGID CASTER	2
101525	STEP HOOK	2
104237	NUT STOP .31-18	4
104594	SCR C HH 0.38-24x3.5	8
104614	SCR C HH .31-18x1.00	4
117228	GLIDE PLUG RD 1.63	4
117230	ASSY STEP	2
117311-01	WLD 2X6 IN FRAME LH	1
117311-02	WLD 2X6 IN FRAME RH	1
117312-01	WLD 2X8 IN FRAME LH	1
117312-02	WLD 2X8 IN FRAME RH	1
117320	2 X 6 IN BRACE	1
117321	2 X 8 IN BRACE	1
117334-01	ASSY 2 HT CLAMP LH	1
117334-02	ASSY 2 HT CLAMP RH	1

6 INCH STEP RISE {

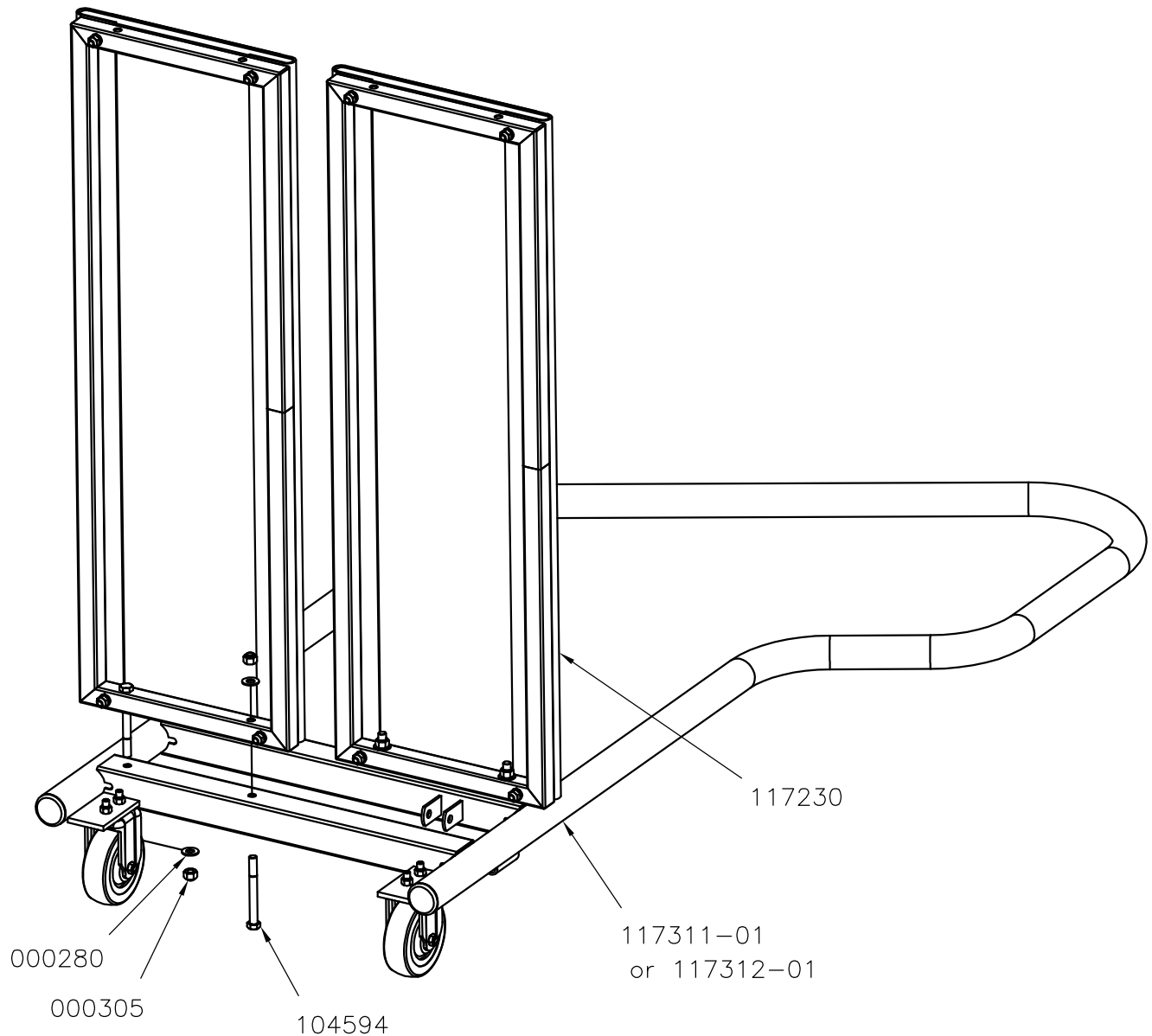
8 INCH STEP RISE {

UNIVERSAL STEP ATTACHMENT ONLY {

# ASSEMBLY INSTRUCTIONS

## ASSEMBLING LEFT FRAME TO STEPS

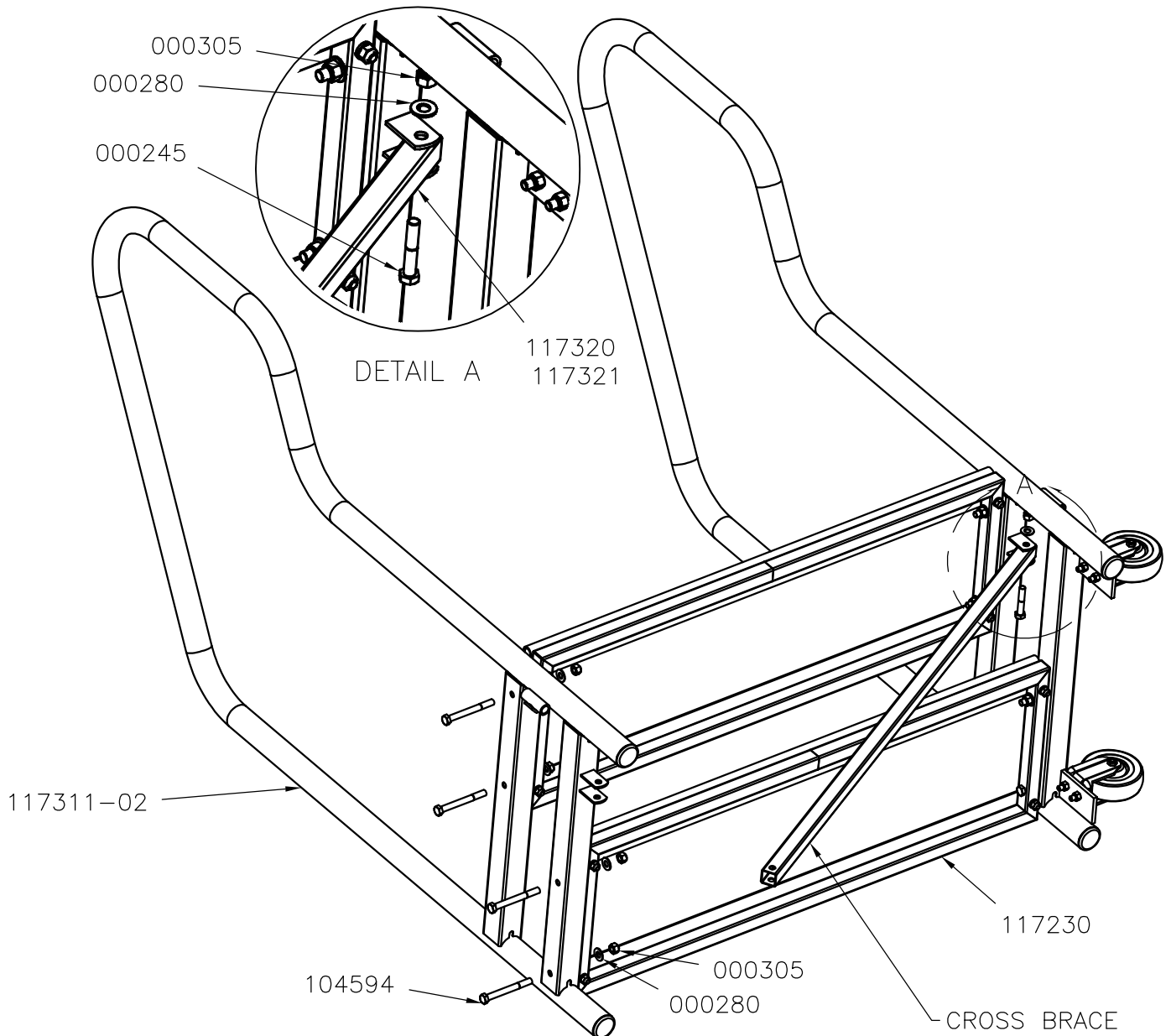
1. Lay the left frame (with wheels) down on a level work surface with the wheels down. If possible, orient the frame to allow the wheels to hang over the edge so that the frame lies flat.
2. Insert the 3-1/2 long 3/8" bolts (104594) through the frame as shown. Allow the frame to rest on the work surface.
3. Position each of the two steps (117230) over the exposed bolts and fasten in place with a washer (000280) and nut (000305) as shown. Fasten the bolt nearest the caster after the others are tightened.



# ASSEMBLY INSTRUCTIONS

## ASSEMBLING RIGHT FRAME TO STEPS

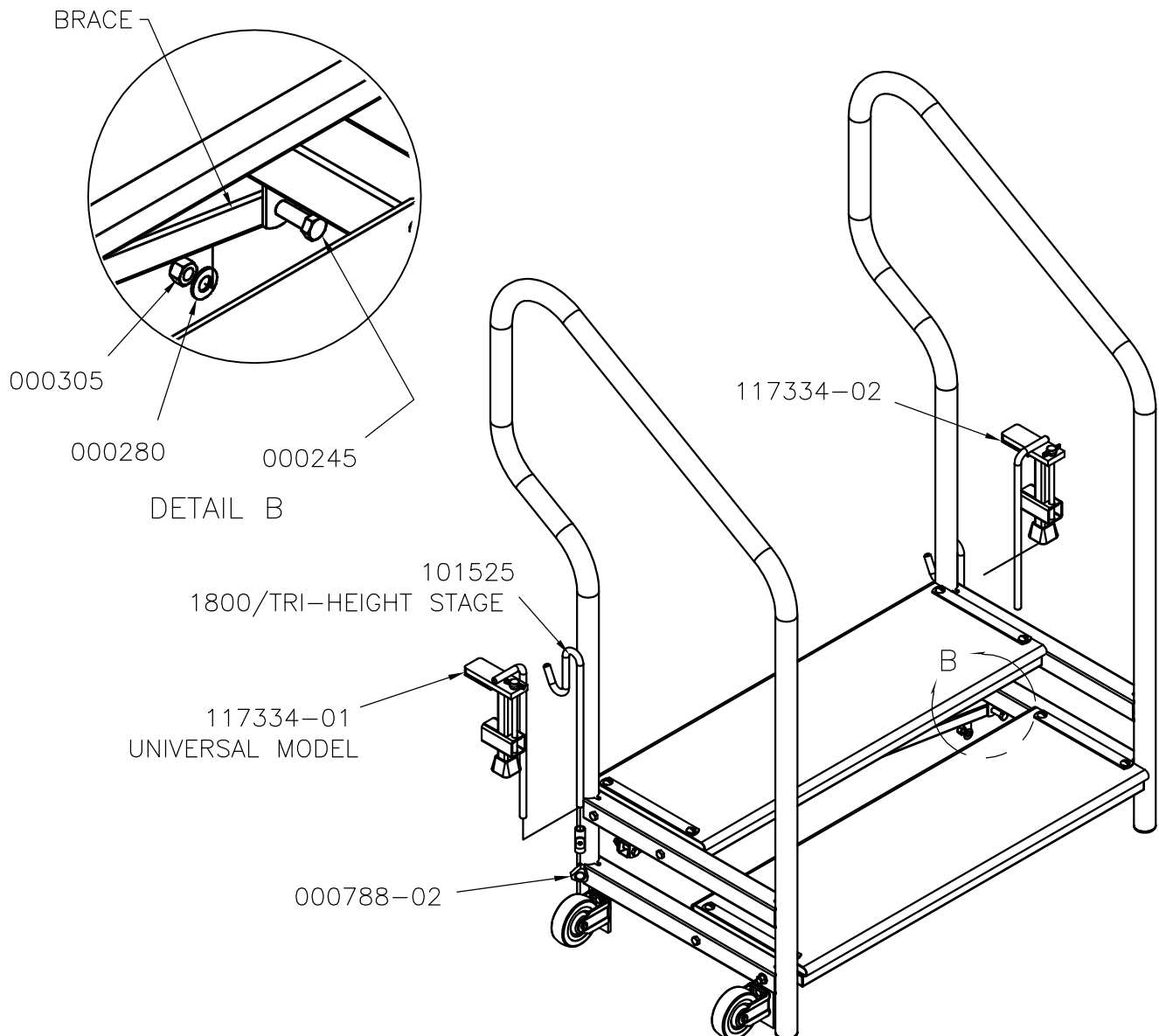
1. Rotate the step so that the front of the bottom step and the handrail are resting on the work surface. Position the second rail against the step frames.
2. Insert the 3-1/2 long 3/8" bolts (104594) through the frame. Fasten in place with a washer (000280) and nut (000305) as shown.
3. Position one end of the cross brace (117320 for 6 inch or 117321 for 8) between the padeyes at the top step on the left frame as shown.
4. Fasten with the 2 in long bolt (000245), washer and nut.



# ASSEMBLY INSTRUCTIONS

## FINAL ASSEMBLY AND LEVELING

1. Set the step on the floor. Ensure that the sides are vertical and that all 4 feet are resting on the floor. Step frames may need to be loosened if the step will not sit level.
2. When the step is leveled. Insert the 2 in bolt through the cross brace (117320 or 117321) and the padeyes on the right frame. Fasten with a washer (000280) and nut (000305).
3. For 1800 and Tri-height stages only Insert a frame hook (101525) into the bushing on each step frame. For Universal models (SAS11XXXU) use 117334-01,02. Hold either place with the yellow hand knob (000788-02)
4. Check all bolts to ensure that they have been properly tightened.



#	DESCRIPTION	DATE	APPROVED
B	REVISED TO REPRESENT	08/23/2005	DaveB
	ALL TWO RISE STEP MODELS	120110	