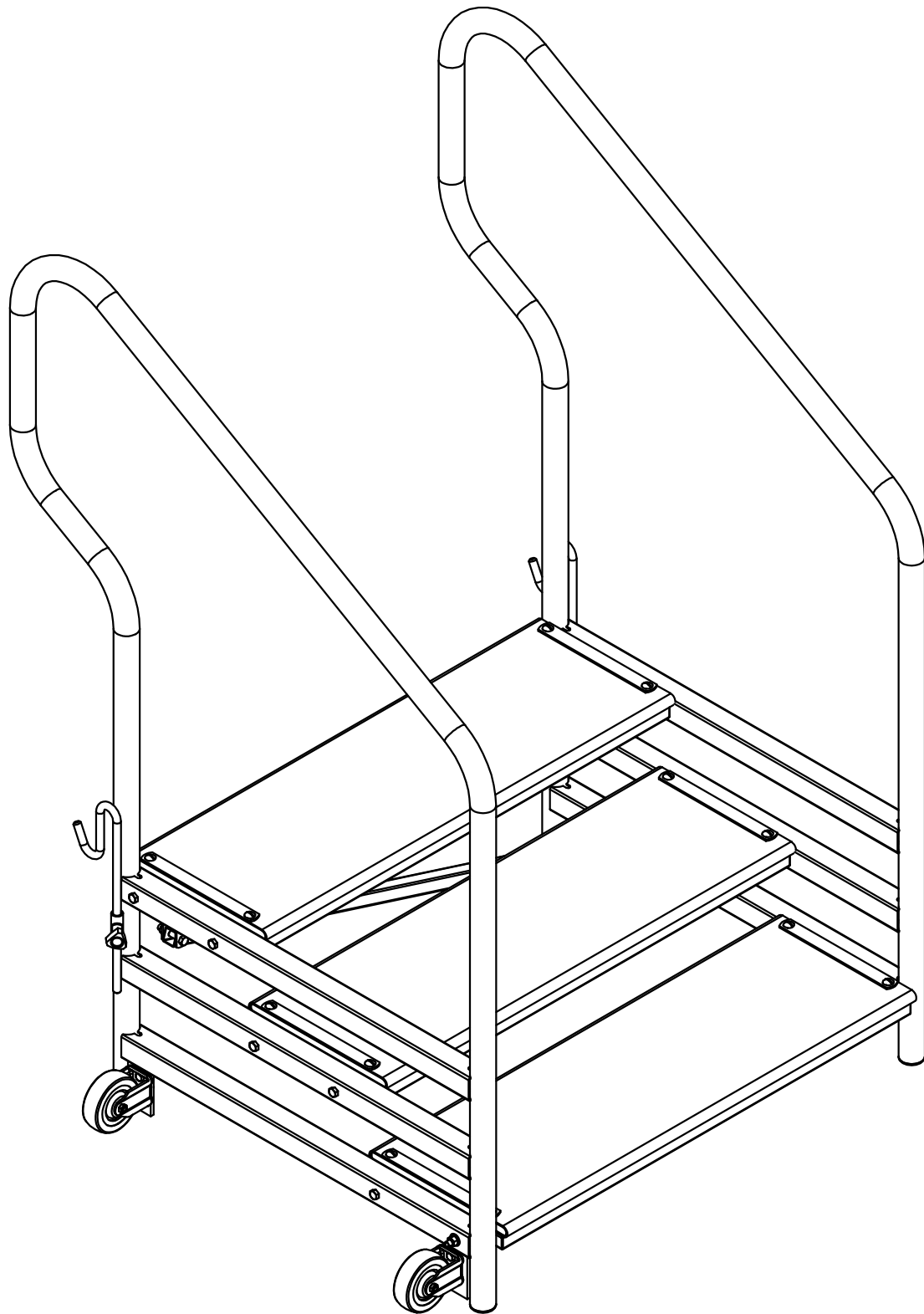


ASSEMBLY INSTRUCTIONS and PARTS LIST for SAS SERIES THREE RISE DUAL HEIGHT STEPS 6 AND 8 INCH RISE - STANDARD AND UNIVERSAL



SICO AMERICA INCORPORATED

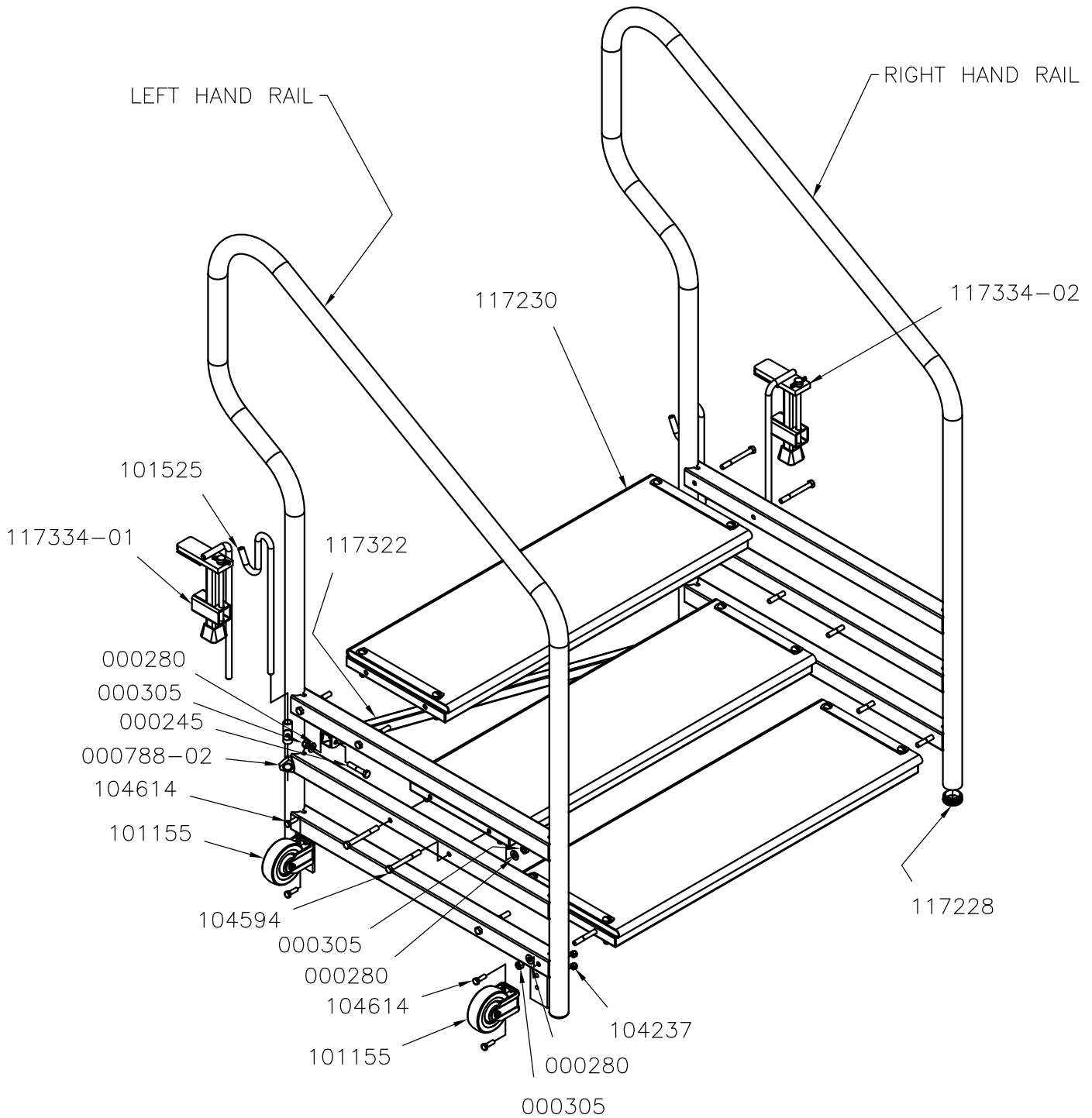
7525 Cahill Road, Minneapolis, Minnesota 55439 USA

Toll Free: 800-328-6138 Phone: 952-941-1700 Fax: 952-941-6688

e-mail: sales@sicoinc.com website: www.sicoinc.com

ASSEMBLY INSTRUCTIONS

EXPLODED ASSEMBLY



ASSEMBLY INSTRUCTIONS

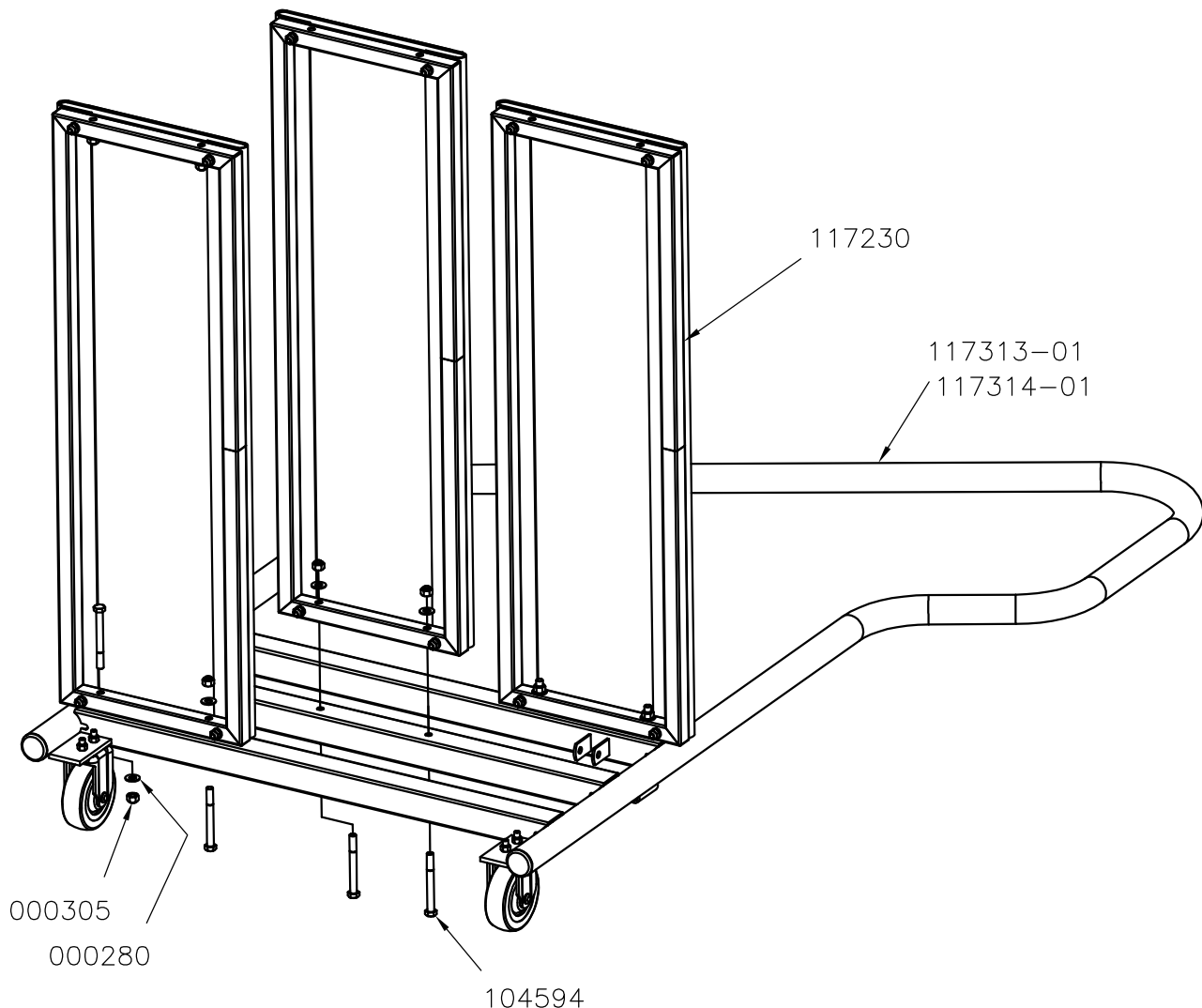
EXPLODED ASSEMBLY

	NAME	DESCRIPTION	QTY
	000245	SCR C HH .38-24x2.00	2
	000280	WASHER 3/8 SAE	14
	000305	NUT STOP .38-24	14
	000788-02	KNOB YELLOW 5/16-18	2
	101155	4" RIGID CASTER	2
1800/TRI- HT STEP ATTACHMENT ONLY	101525	STEP HOOK	2
	104237	NUT STOP .31-18	4
	104594	SCR C HH 0.38-24x3.5	12
	104614	SCR C HH .31-18x1.00	4
	117228	GLIDE PLUG RD 1.63	4
	117230	ASSY STEP	3
6 INCH STEP RISE {	117313-01	WLD 3 X 6 IN FRAME LH	1
	117313-02	WLD 3 X 6 IN FRAME RH	1
8 INCH STEP RISE {	117314-01	WLD 3 X 8 IN FRAME LH	1
	117314-02	WLD 3 X 8 IN FRAME RH	1
	117322	3 X 6 IN BRACE	1
	117323	3 X 8 IN BRACE	1
UNIVERSAL STEP ATTACHMENT ONLY {	117334-01	ASSY 2 HT CLAMP LH	1
	117334-02	ASSY 2 HT CLAMP RH	1

ASSEMBLY INSTRUCTIONS

ASSEMBLING LEFT FRAME TO STEPS

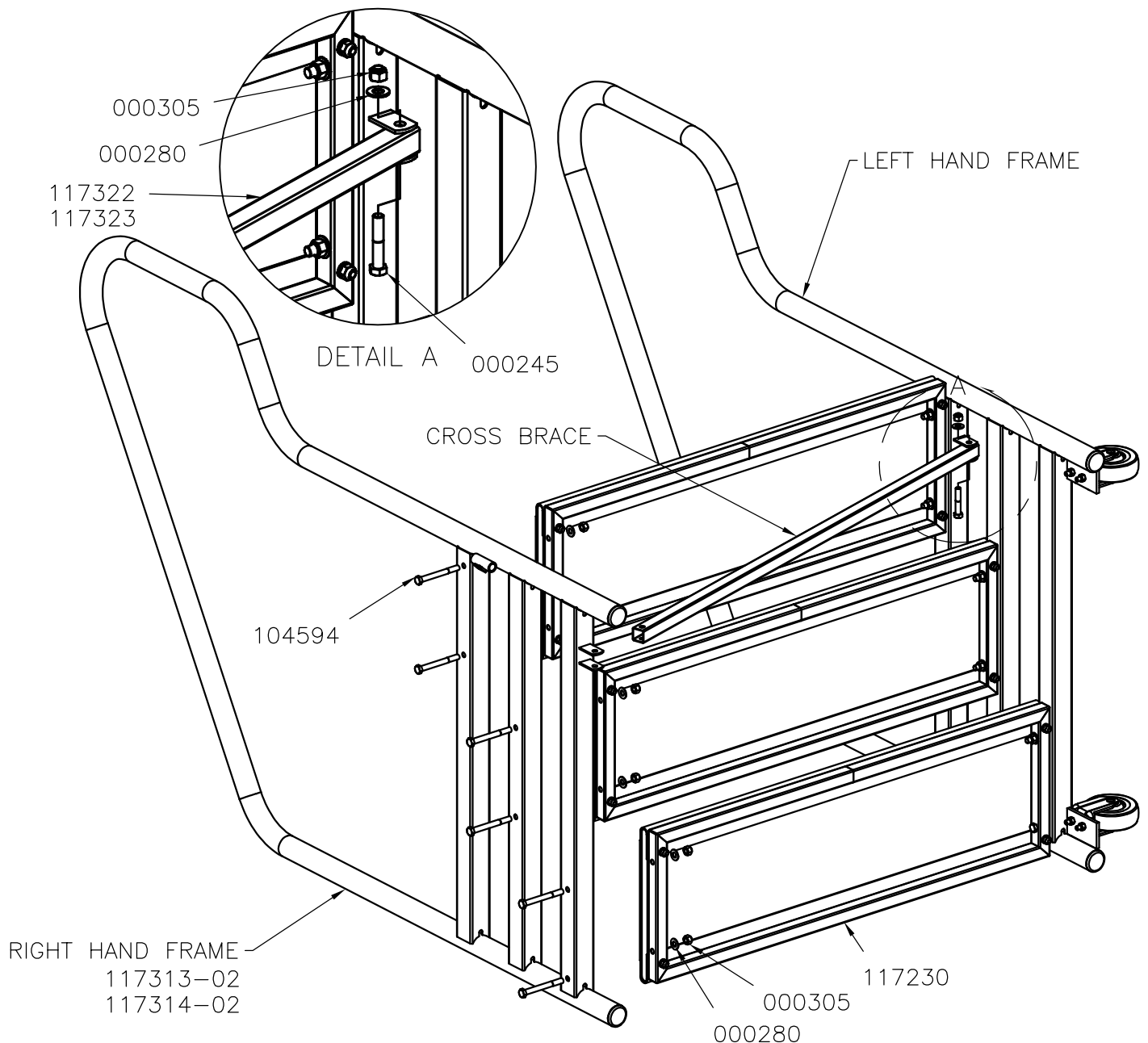
1. Lay the left frame (with wheels) down on a level work surface with the wheels down. If possible, orient the frame to allow the wheels to hang over the edge so that the frame lies flat.
2. Excluding the hole nearest the left caster, insert the 3-1/2 long 3/8" bolts (104594) up through the frame. allow the frame to rest on the work surface.
3. Position each of the three steps (117230) over the exposed bolts and fasten in place with a washer (000280) and nut (000305) as shown.
4. Insert the bolt nearest to the caster down through the step and left frame and fasten in place with a washer and nut.



ASSEMBLY INSTRUCTIONS

ASSEMBLING RIGHT FRAME TO STEPS

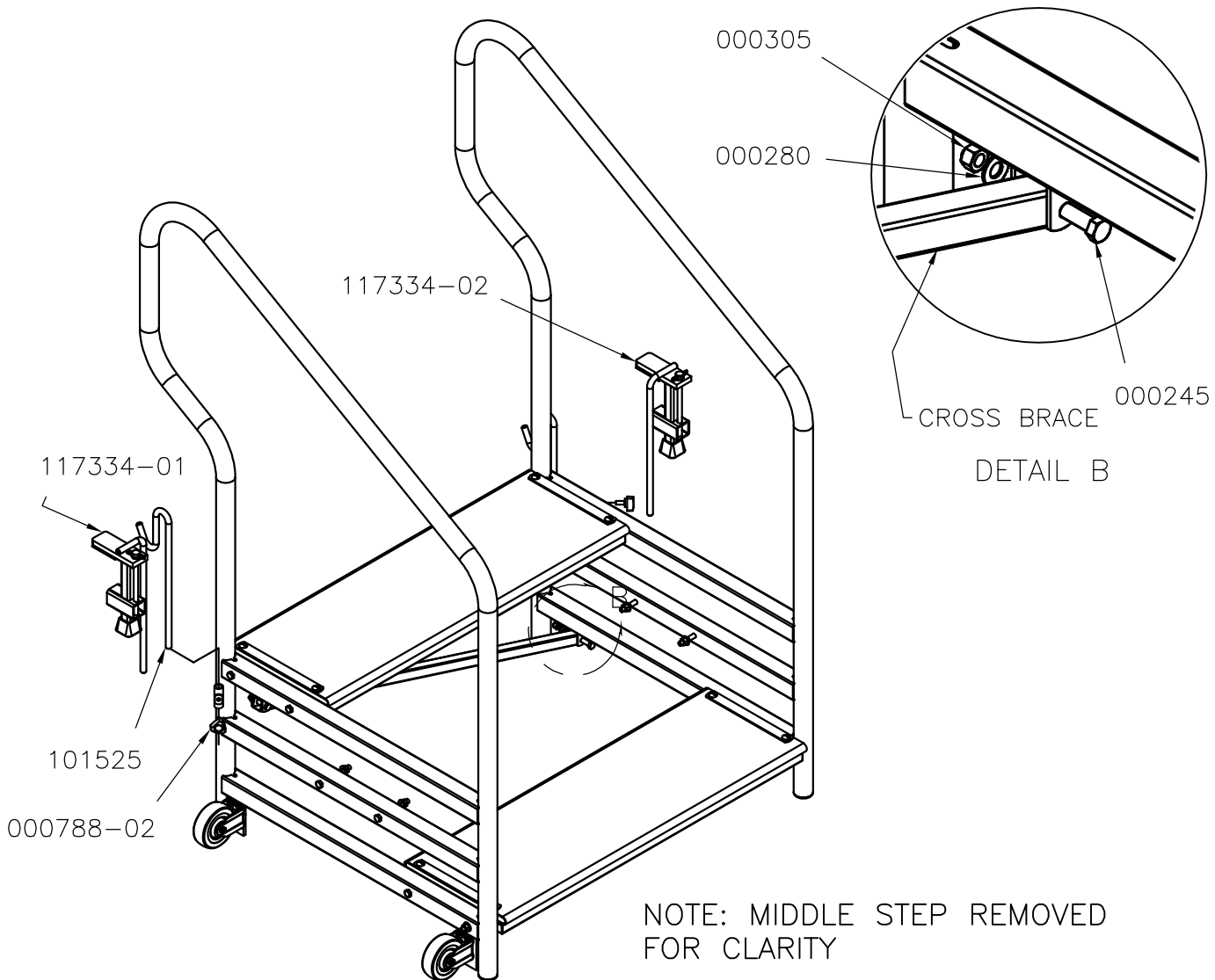
1. Rotate the step so that the front of the bottom step and the handrail are resting on the work surface. Position the second rail against the step frames.
2. Insert the 3-1/2 long 3/8" bolts (104594) through the frame. Fasten in place with a washer (000280) and nut (000305) as shown.
3. Position one end of the cross brace (117322 for 6 inch or 117323 for 8) between the padeyes at the top step on the left frame as shown.
4. Fasten with the 2 in long bolt (000245), washer and nut.



ASSEMBLY INSTRUCTIONS

FINAL ASSEMBLY AND LEVELING

1. Set the step on the floor. Ensure that the sides are vertical and that all 4 feet are resting on the floor. Step frames may need to be loosened if the step will not sit level.
2. When the step is leveled. Insert the 2 in bolt through the cross brace (117322 or 117323) and the padeyes on the right frame. Fasten with a washer (000280) and nut (000305).
3. For use with 1800 or Tri Height stages Insert a frame hook (101525) into the bushing on each step frame. Universal step models (SAS11XXXU) ship with 117334-01,02. Hold either in place with the yellow hand knob (000788-02)
4. Check all bolts to ensure that they have been properly tightened.



#	DESCRIPTION	DATE	APPROVED
B	REVISED TO REPRESENT	08/23/2005	DaveB
	ALL THREE RISE STEP MODELS	120114	