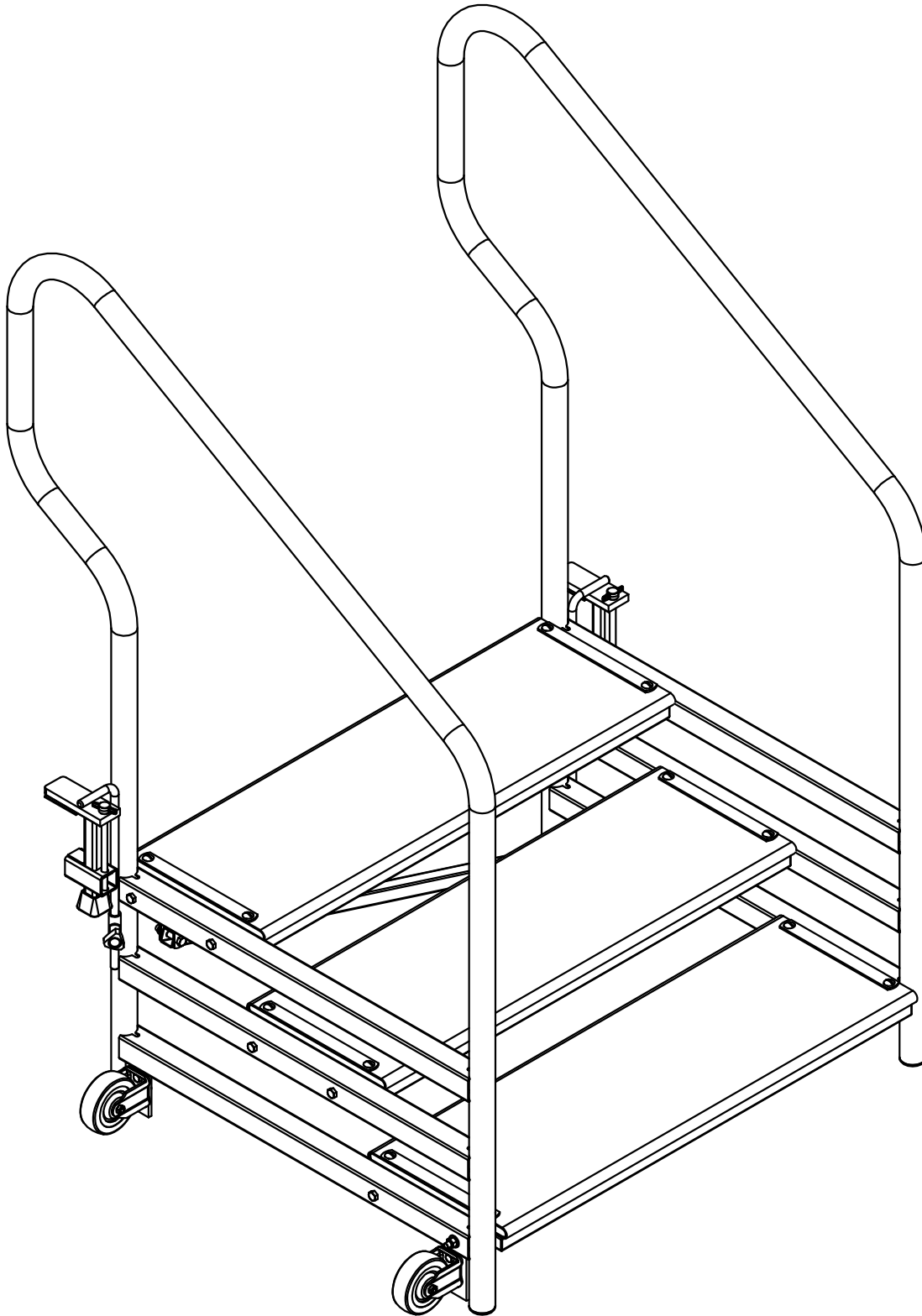


ASSEMBLY INSTRUCTIONS and PARTS LIST for SAS11CXXU SERIES DUAL HEIGHT STEPS WITH UNIVERSAL CLAMP ATTACHMENT



SICO AMERICA INCORPORATED

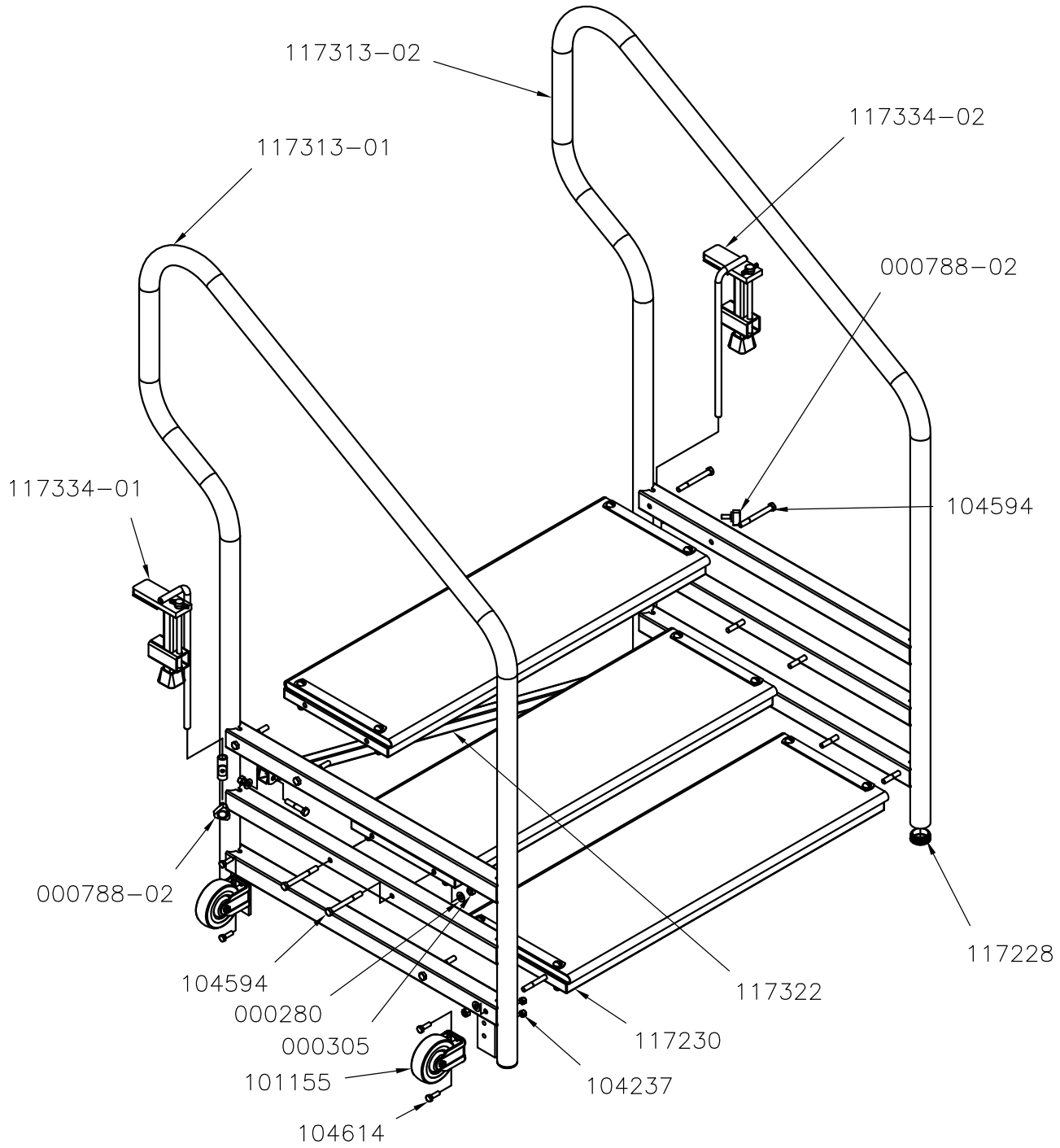
7525 Cahill Road, Minneapolis, Minnesota 55439 USA

Toll Free: 800-328-6138 Phone: 952-941-1700 Fax: 952-941-6688

e-mail: sales@sicoinc.com website: www.sicoinc.com

ASSEMBLY INSTRUCTIONS

EXPLODED ASSEMBLY



ASSEMBLY INSTRUCTIONS

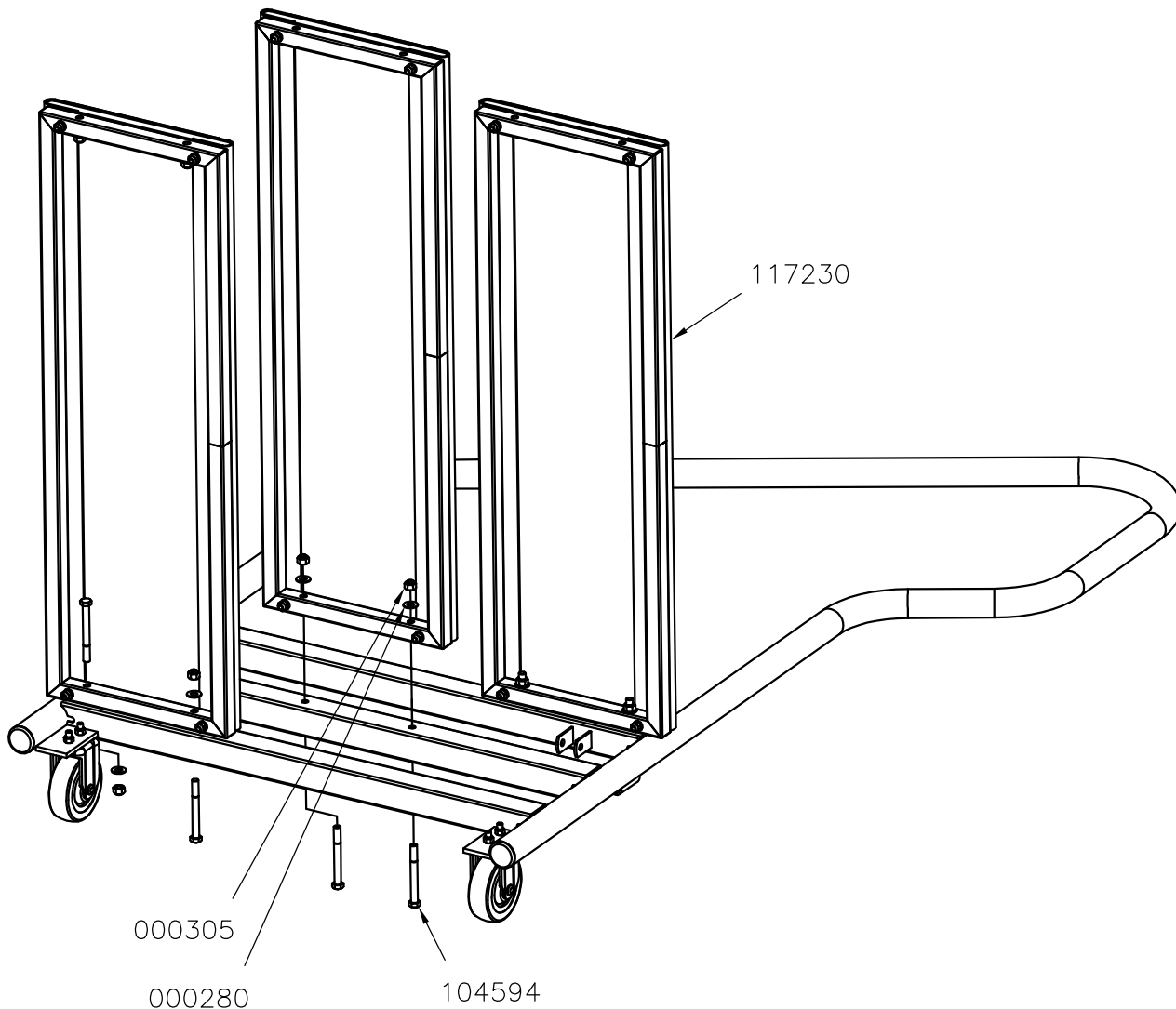
EXPLODED ASSEMBLY

NAME	DESCRIPTION	QTY
000245	SCR C HH .38-24x2.00	2
000280	WASHER 3/8 SAE	14
000305	NUT STOP .38-24	14
000788-02	KNOB YELLOW 5/16-18	2
101155	4" RIGID CASTER	4
104237	NUT STOP .31-18	8
104594	SCR C HH 0.38-24x3.5	12
104614	SCR C HH .31-18x1.00	8
117228	GLIDE PLUG RD 1.63	8
117230	ASSY STEP	3
117313-01	WLD 3 X 6 IN FRAME LH	2
117313-02	WLD 3 X 6 IN FRAME RH	2
117322	3 X 6 IN BRACE	1
117334-01	ASSY 2 HT CLAMP LH	1
117334-02	ASSY 2 HT CLAMP RH	1

ASSEMBLY INSTRUCTIONS

ASSEMBLING LEFT FRAME TO STEPS

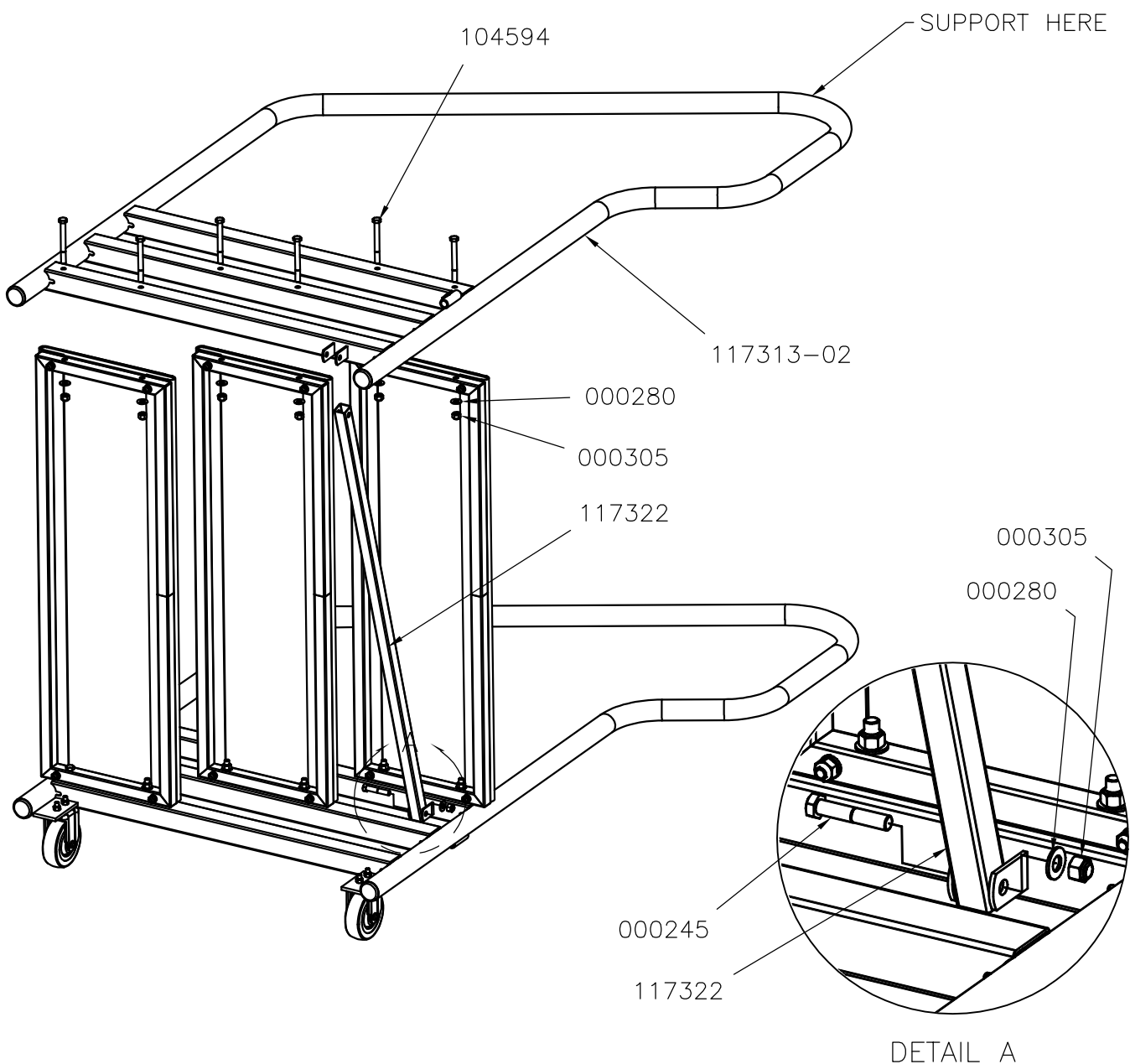
1. Lay the left frame (with wheels) down on a level work surface with the wheels down. If possible, orient the frame to allow the wheels to hang over the edge so that the frame lies flat.
2. Excluding the hole nearest the left caster, insert the 3-1/2 long 3/8" bolts (104594) up through the frame. allow the frame to rest on the work surface.
3. Position each of the three steps (117230) over the exposed bolts and fasten in place with a washer (000280) and nut (000305) as shown.
4. Insert the bolt nearest to the caster down through the step and left frame and fasten in place with a washer and nut.



ASSEMBLY INSTRUCTIONS

ASSEMBLING RIGHT FRAME TO STEPS

1. While a second person supports the top of the right rail. Position the rail over the side of the steps.
2. Insert the 3-1/2 long 3/8" bolts (104594) down through the frame. Fasten in place with a washer (000280) and nut (000305) as shown.
3. Position one end of the cross brace (117322) between the padeyes at the top step on the left frame as shown.
4. Fasten with the 2 in long bolt (000245), washer and nut.



ASSEMBLY INSTRUCTIONS

FINAL ASSEMBLY AND LEVELING

1. Set the step on the floor. Ensure that the sides are vertical and that all 4 feet are resting on the floor. Step frames may need to be loosened if the step will not sit level.
2. When the step is leveled. Insert the 2 in bolt through the cross brace (117322) and the padeyes on the right frame. Fasten with a washer (000280) and nut (000305).
3. Insert a universal clamp (117334-01,02) into the bushing on each step frame. Hold in place with the yellow hand knob (000788-02)
4. Check all bolts to ensure that they have been properly tightened.

