

WARNING

DO NOT REMOVE THESE INSTRUCTIONS UNTIL READY TO INSTALL THE STABILIZER BAR.

STABILIZER BAR MUST BE PROPERLY INSTALLED AND ENGAGED BEFORE MOVING THE TABLE. FAILURE TO DO SO COULD CAUSE TABLE TO TIP. SERIOUS INJURY OR DEATH COULD RESULT.

1. TABLE IS SHIPPED WITH STABILIZER BAR INSTALLED AS SHOWN IN THE UPPER LEFT CORNER OF THIS DRAWING. IT MUST BE REMOVED AND REATTACHED BEFORE USING THE TABLE.

2. REMOVE THE NUT, WASHER AND STABILIZER BAR (ITEMS 3, 4 & 6). REATTACH STABILIZER BAR PER DETAIL IN LOWER LEFT CORNER OF THIS DRAWING. TIGHTEN NUT (ITEM 4) SO BAR IS NOT TOO LOOSE, BUT CAN EASILY MOVE UP AND DOWN.

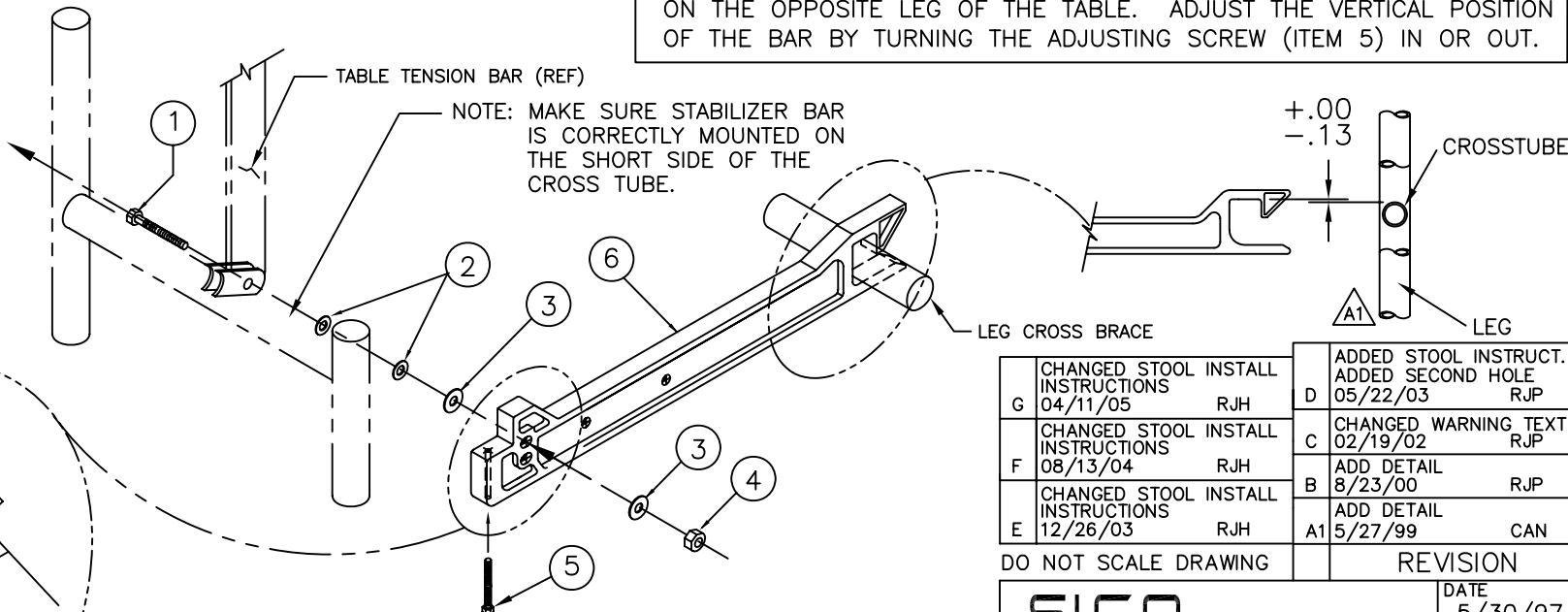
3. THE STABILIZER BAR MUST ALIGN PROPERLY WITH THE CROSS BRACE ON THE OPPOSITE LEG OF THE TABLE. ADJUST THE VERTICAL POSITION OF THE BAR BY TURNING THE ADJUSTING SCREW (ITEM 5) IN OR OUT.

STABILIZER BAR LOCATION DURING SHIPPING

STABILIZER BAR LOCATION AFTER PREPARATION FOR USE;

USE THE LOWER HOLE FOR TABLES WITH STOOLS (TC-65'S)

USE THE UPPER HOLE AS SHOWN FOR TABLES WITH BENCHES (BY'S), AND TABLES WITH NO BENCHES OR STOOLS (LB'S)



ADJUST SO THAT STABILIZER BAR ENGAGES LEG CROSS BRACE AS SHOWN

BY TABLES (BENCHES) & LB TABLES (RECTANGULAR) - USE UPPER HOLE.

TC TABLES (STOOLS ATTACHED) - USE BOTTOM HOLE.

G	CHANGED STOOL INSTALL INSTRUCTIONS 04/11/05	RJH	D	ADDED STOOL INSTRUCT. ADDED SECOND HOLE 05/22/03	RJP
F	CHANGED STOOL INSTALL INSTRUCTIONS 08/13/04	RJH	C	CHANGED WARNING TEXT 02/19/02	RJP
E	CHANGED STOOL INSTALL INSTRUCTIONS 12/26/03	RJH	B	ADD DETAIL 8/23/00	RJP
			A1	ADD DETAIL 5/27/99	CAN

DO NOT SCALE DRAWING

REVISION

SICO

COPYRIGHT 1997

DATE 5/30/97

DRAWN BY CAN

CHK'D BY

TOLERANCES ARE NON-ACCUMULATIVE. DIMENSIONS ARE IN INCHES AND [MM'S] UNLESS OTHERWISE NOTED. TOLERANCES ARE: .XXX ± .0005 .XXX ± .010 .XX ± .030 ANGLES ± 1° FRACTIONS ± 1/32

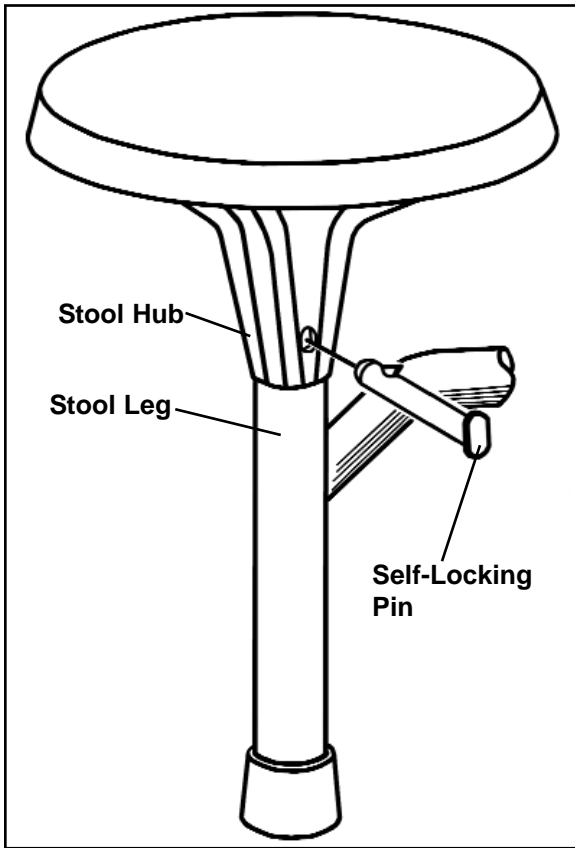
SCALE 1=8 U/M PC

FINISH -

STABILIZER BAR INSTALLATION INSTRUCTIONS

113134

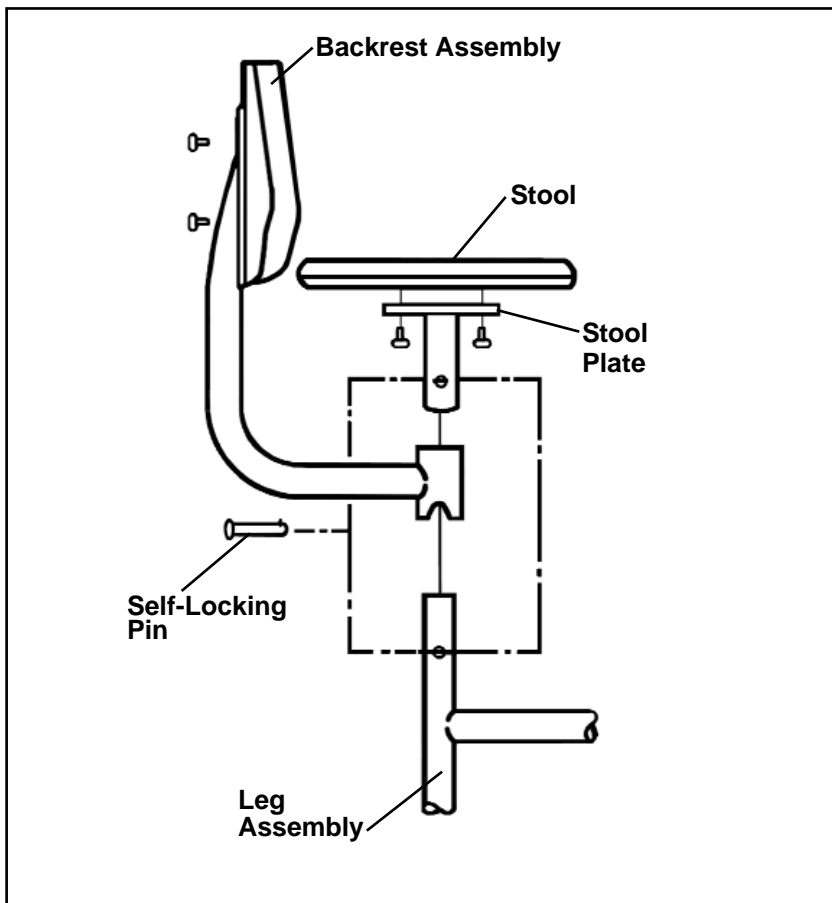
TC-65 Stool and Self-Locking Pin Installation Instructions



1. Slide the stool over the top of the stool leg.
2. Align the holes in the stool hub with the holes in the stool leg.
3. Orient the Self-Locking Pin with the detent facing up and slide it through the holes of the stool and stool leg until detent activates. The sides of the pin-heads should fit between the ribs of the stool hub.

CAUTION: Self-Locking pin must be installed to prevent excess wear on stool.

TC-65 Stool, Backrest and Self-Locking Pin Installation Instructions



1. Slide the backrest assembly over the stool leg.
2. Insert the stool plate through the backrest and over the leg.
3. Hold up the backrest and align the holes in the stool plate and the leg.
4. Orient the Self-Locking Pin with the detent facing up and slide it through the holes of the stool plate and stool leg until detent activates.
5. Let the backrest slide down and rest on the pin.
6. Rotate the backrest until its notches rest on the pin.

CAUTION: Self-Locking Pin must be installed to prevent excess wear on the stool plate.

To reverse the backrest 180°, grasp the seatback, pull up about 1", then rotate it.