



SICO AMERICA INC.
7525 Cahill Road
Minneapolis, MN 55439, USA
Customer Service: 1-800-424-0796
Website: www.sicoinc.com

8-SEAT TC-65 GRADUATE TABLE

Operating Instructions and Parts List

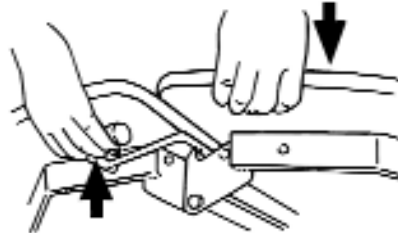
TO OPEN

WARNING
Keep fingers away from top edge!



2 Lift on side of table top while pressing in at center. As table starts to open, push top down to safety stop position.

1 Lift stop bar (#28 below) out of latch on leg.



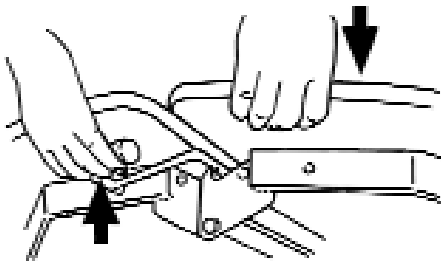
3 Lift center lock arm to release it, then press table top down flat.

WARNING

Failure to follow warnings may result in serious injury or death. Never let children move table. Never store where unattended children are present. To avoid table tipping over, push from end of table. DO NOT push from side.

Avoid debris on floor.

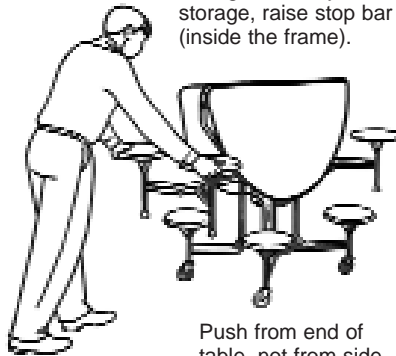
TO FOLD



Lift center lock arm and hold against table top. Raise table with continuous upward motion.

TO ROLL

To gain space for passing through doorway or for storage, raise stop bar (inside the frame).



Push from end of table, not from side.

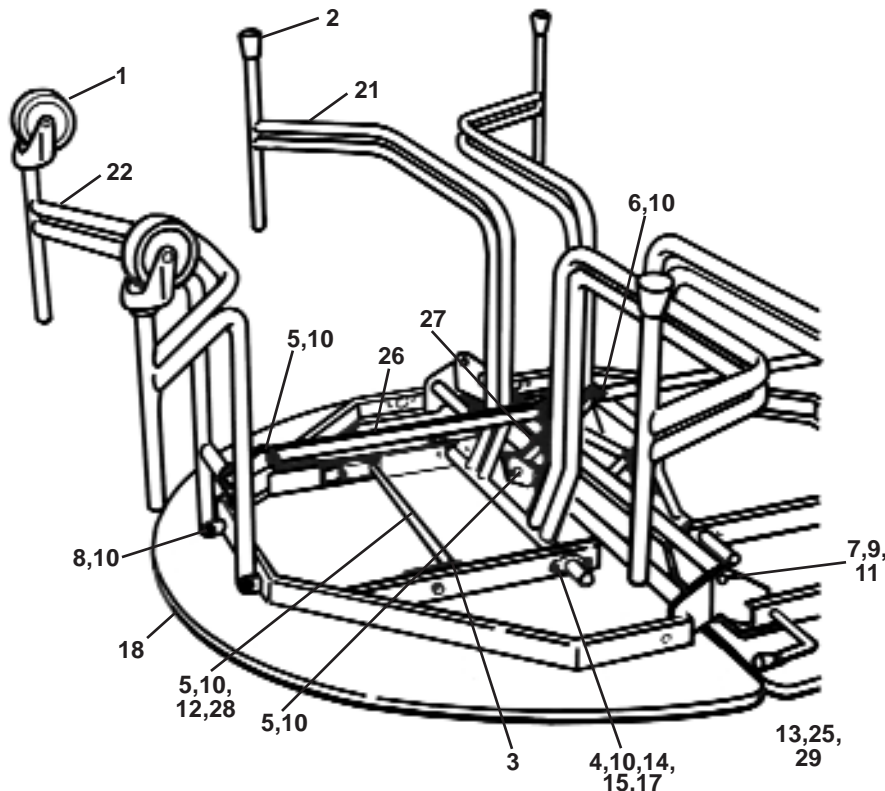


NEVER let children sit or climb on folded table.

MAINTENANCE: Oil pivot points every six months. Wash tops with soap and water.

ITEM DESCRIPTION

- 1 Caster, swivel, 4"
- 2 Glide, black, 1" OD
- 3 Rivet, drive, 1/4" x 17/32"
- 4 Cap, Screw, 3/8"-24 x 1"
- 5 Cap, Screw, 3/8"-24 x 1-1/4"
- 6 Cap, Screw, 3/8"-24" x 1-1/2"
- 7 Cap, Screw, 1/2-13 x 1"
- 8 Cap, Screw, 3/8-24 x 2-1/2"
- 9 Washer, 1/2"
- 10 Nut, stop, 3/8-24
- 11 Nut, stop, 1/2-13
- 12 Washer, 3/8"
- 13 Nut, push, 1/2" washer
- 14 Bar, torsion
- 15 Flange, end
- 17 Nut, push, 3/8" washer
- 18 Top (half), 54" x 60"
- 21 Leg weldment, center
- 22 Leg weldment, end
- 23 Leg weldment, top
- 25 Arm, lock
- 26 Bar, tension
- 27 Bar, cross
- 28 Bar, stop
- 29 Cap, 1/2", lock arm
- 30 Stool
- 32 Self-locking Pin
- 33 Backrest Assembly
- 34 Backrest
- 35 Arm, backrest support
- 36 Plate, stool
- 37 Stool Assembly (used with #33 backrest assembly)
- 38 Stool, flat
- 40 Screw, #14 x 5/8"



When Ordering:

All Parts. Indicate table Serial No.
Tops. Indicate color, size
Legs. Indicate table height.
For parts or pricing, contact your local dealer or SICO Customer Service.

