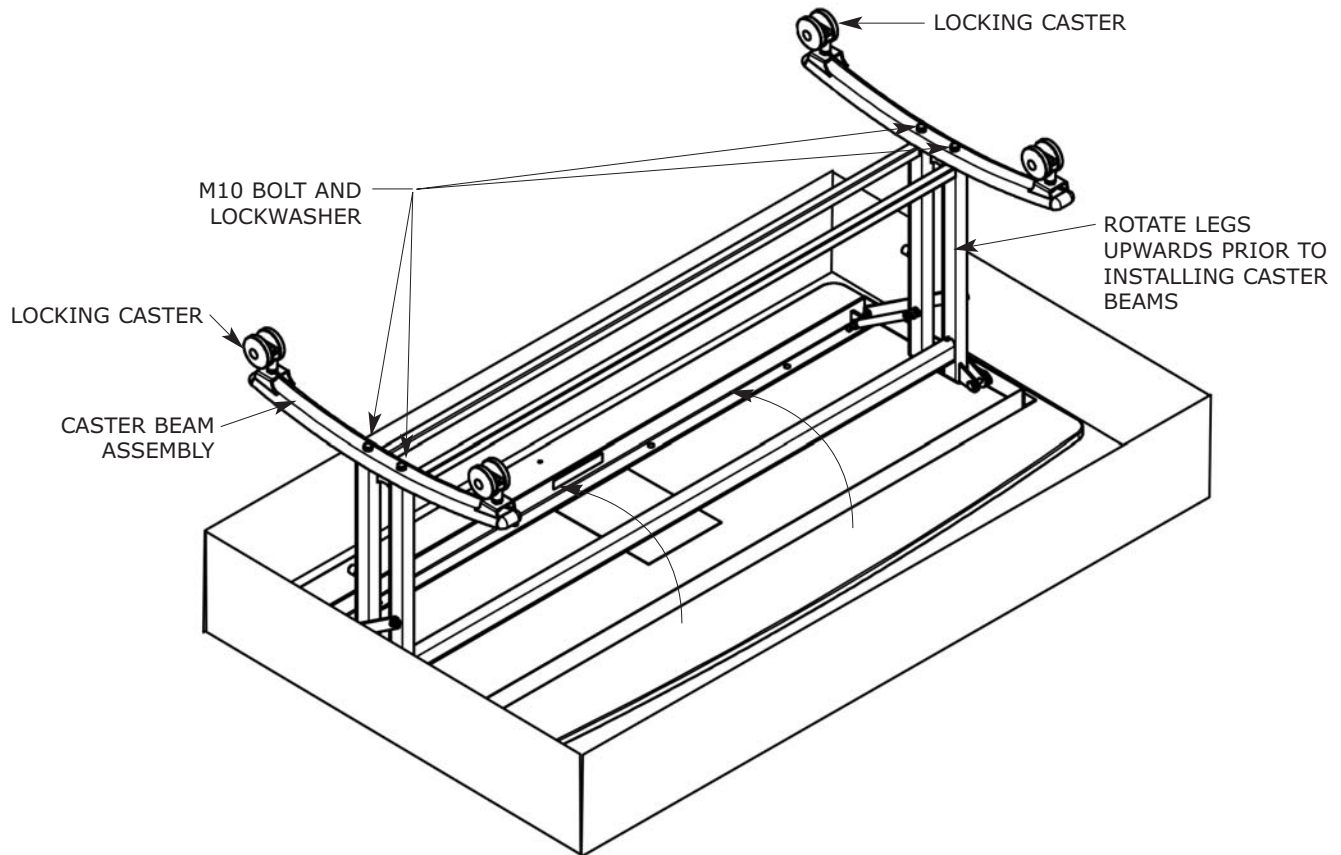




## 2-Tier Catering Table

# TABLE UNPACKAGING AND ASSEMBLY



### Unpacking and Assembly Instructions:

1. With carton lying flat as shown on a **level surface**, remove banding and top cover.
2. Remove inner packaging containing caster beams.
3. Rotate base leg structure upward as shown.
4. Remove M10 bolts and lockwashers from leg posts. Do not discard.
5. Install Caster beams using saved hardware. Tighten securely.
6. **Using 2 people**, tip table up and out of carton.

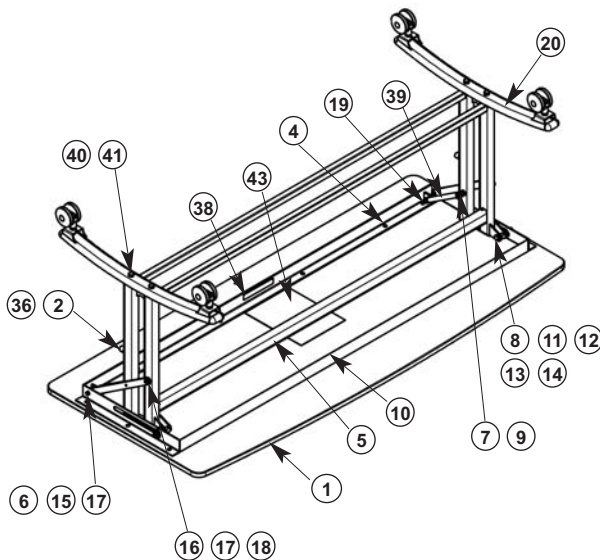
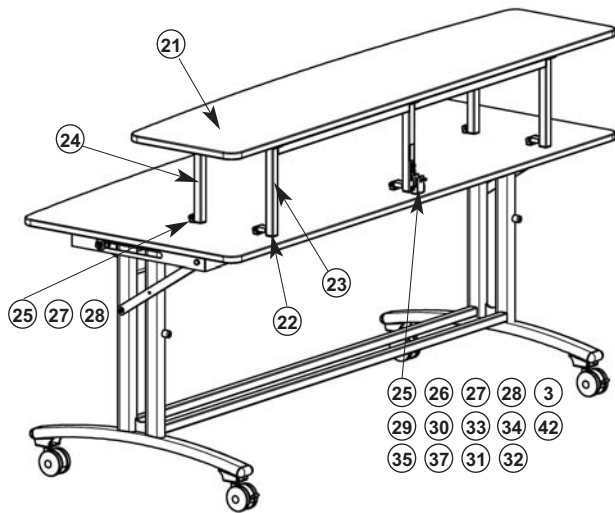
**Warning:** Note orientation of Caster beams. Locate locking casters towards rear of the unit as shown. It is highly recommended to use a thread locking compound during this assembly.



# 2-Tier Catering Table

## PARTS LIST

**IMPORTANT:** Always provide the serial number when ordering parts.



ITEM	QTY	PART NUMBER	DESCRIPTION
1	1	109042-119	32" X72" MAIN TOP SURFACE
2	4	103760	RUBBER BUMPER
3	10	281255	PIVOT CLIP
4	19	000203	RIVET DRIVE BH .25X.38
5	1	281247-7230	WELDMENT SUB FRAME
6	2	270304	LATERAL SUPPORT
7	3	270302	M8 SLOTTED RIVET NUT
8	3	270229	M8 BHCS 30MM
9	1	270305	M8 BHCS 18MM
10	1	270211-72	WELDMENT, TOP FRAME 72"
11	2	120667	M10 HHCS 70MM
12	10	120665	FENDER WASHER
13	2	270225	SLEEVE BEARING, DELRIN
14	2	120666	M10 LOCKNUT
15	2	270156	M8 HHCS 25MM
16	21	000299B	WASHER FL .34 X .69 X .06
17	7	270153	M8 LOCK NUT
18	1	270155	M8 BHCS 55MM
19	2	270154	M8 HHCS 45MM
20	2	281242	ASSEMBLY, CASTER BEAM
21	1	109042-120	TIER SURFACE
22	10	000784	TUBE CAP, 1" SQ
23	1	281249	WELDMENT, REAR SUPPORT FRAME
24	2	281251	WELDMENT PIVOT ARM
25	11	281258	M6 HHCS 40MM
26	6	281257	M6 HHCS 35MM
27	17	281261	M6 LOCKNUT
28	22	281262	INSULATING WASHER
29	1	281267	CATCH PLATE
30	2	281264	M4 PHMS 35MM
31	1	281268	PIVOT LOCK WELDMENT
32	1	281265	LOCK BASE
33	2	281266	M4 LOCKNUT
34	2	281380	M4 FENDER WASHER
35	1	281382	THUMB SCREW M6 X 20MM
36	4	109829	RIVET
37	1	105484	COMPRESSION SPRING, LOCK
38	1	112822	SICO SERIAL PLATE
39	2	118184	DAMPER
40	4	109835-025	SCR C HH M10 X 1.5 X 25MM
41	4	109839	LOCKWASHER M10
42	1	281263	WARNING LABEL
43	1	281381	OPERATION INSTRUCTION