



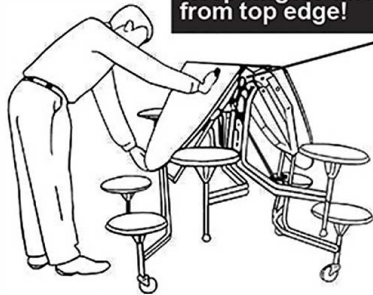
SICO AMERICA INC.
7525 Cahill Road
Minneapolis, MN 55439, USA
Customer Service: 1-800-424-0796
Website: www.sicoinc.com

Operating Instructions and Parts List

GRADUATE TABLE

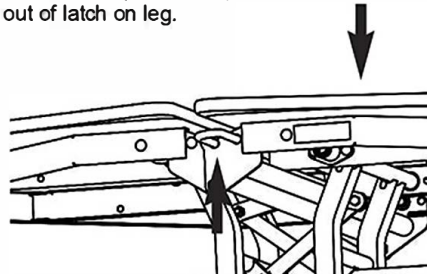
TO OPEN

WARNING
Keep fingers away
from top edge!



2 Lift on side of table top while pressing in at center. As table starts to open, push top down to safety stop position.

1 Lift stop bar (#28 below) out of latch on leg.



3 Lift center lock arm to release it, then press table top down flat.

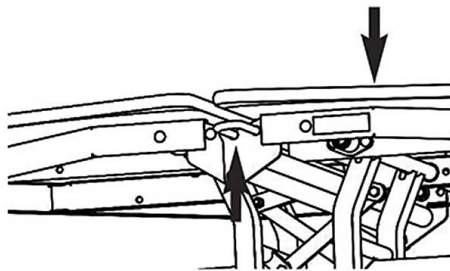
WARNING

Failure to follow warnings may result in serious injury or death. Never let children move table. Never store where unattended children are present.

To avoid table tipping over, push from end of table. DO NOT push from side.

Avoid debris on floor.

TO FOLD



Lift center lock arm and hold against table top. Raise table with continuous upward motion.

TO ROLL

To gain space for passing through doorway or for storage, raise stop bar (inside the frame).



Push from end of table, not from side.



NEVER
let children
sit or climb on folded table.

ITEM	DESCRIPTION
1	TOP FRAME WELD
2	DRIVE RIVET
3	RETAINER CAP - LEG
4	WLD, PIVOT STOP BAR
5	MECHANICAL STRUT
6	TENSION BAR
7	X BAR
8	LOCK ARM
9	NUT PUSH WASHER
10	FLANGE WASHER
11	BOLT M12 x 1.75 x 30
12	NUT STOP M12x1.75MM
13	SHOULDER WASHER
14	PANEL FASTENER
15	CAP SCREW M10x1.5x30MM
16	CAP SCREW M10x1.5x35MM
17	NUT STOP M10x1.5MM
18	CAP SCREW M10x1.5x60MM
19	CAP SCREW .38-24x1.25
20	WASHER, 3/8" SAE
21	NUT STOP, 0.38-24 NF
22	GLIDE
23	CAP VINYL 1.00x.38
25	TABLE WARNING
26	LUBRICATION LABEL
32	PARTS LIST & INST SHEET
90	TABLE TOP
93	CASTER, 4IN W/THREAD GUARD
94	CENTER LEG WELDMENT
95	OUTER LEG WELDMENT
96	STOOL ASSEMBLY, SERIES 4
97	STOOL
98	SCREW, M8-1.25x45
99	LOCK NUT, M8-1.25

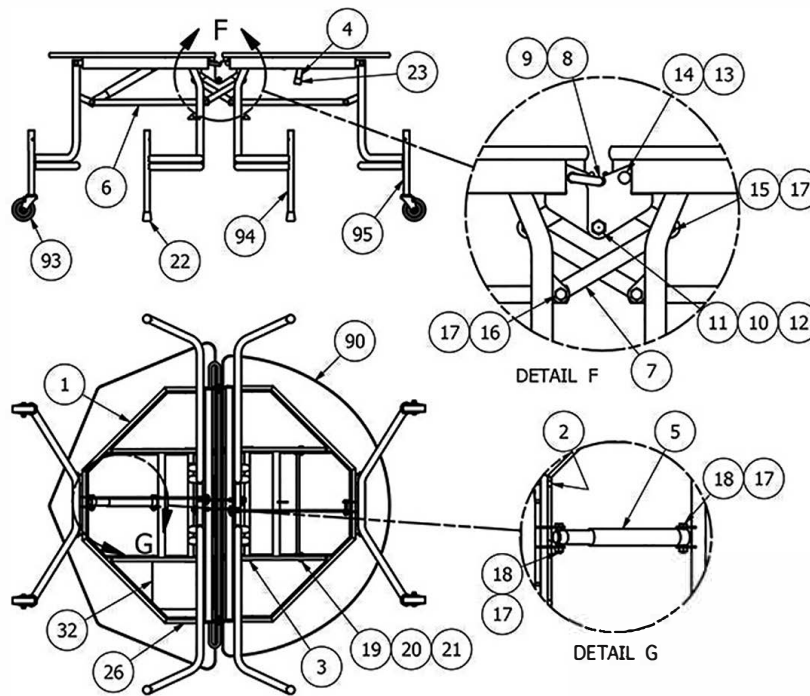
MAINTENANCE: Oil pivot points every six months. Wash tops with soap and water.

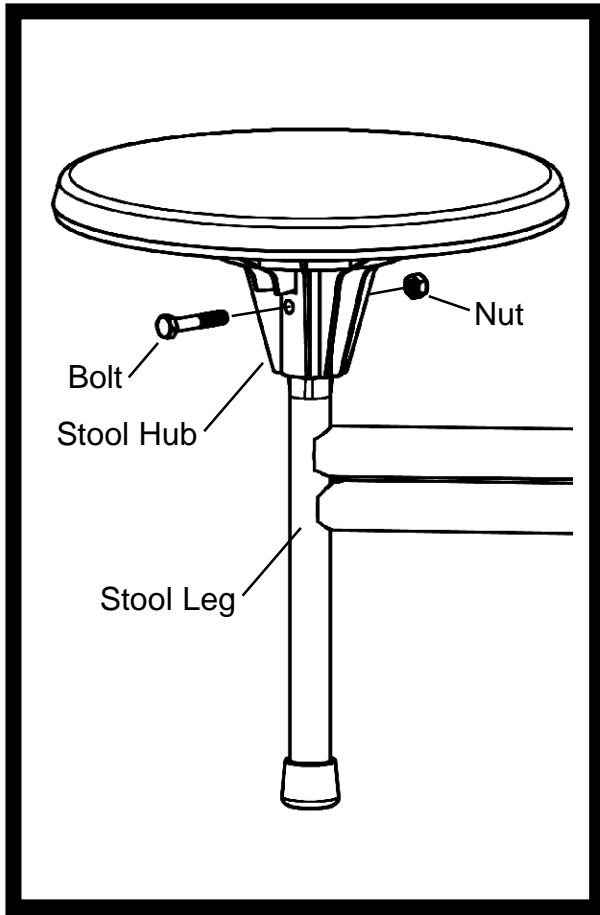
When ordering:

All Parts - Indicate table Serial No. (on frame, near center of table), height and length

Tops - Indicate color, size **Legs** - Indicate table height

For parts or pricing contact your local dealer or SICO Customer Service.





TC-65 Stool Installation

1. Align the holes in the stool hub with the holes in the stool leg.
2. Slide the stool over the top of the stool leg.
3. Slide the bolt through the holes of the stool and stool leg. Tighten nut and bolt with two 13mm wrenches.

CAUTION: The bolt and nut must be installed to prevent excess wear on stool.