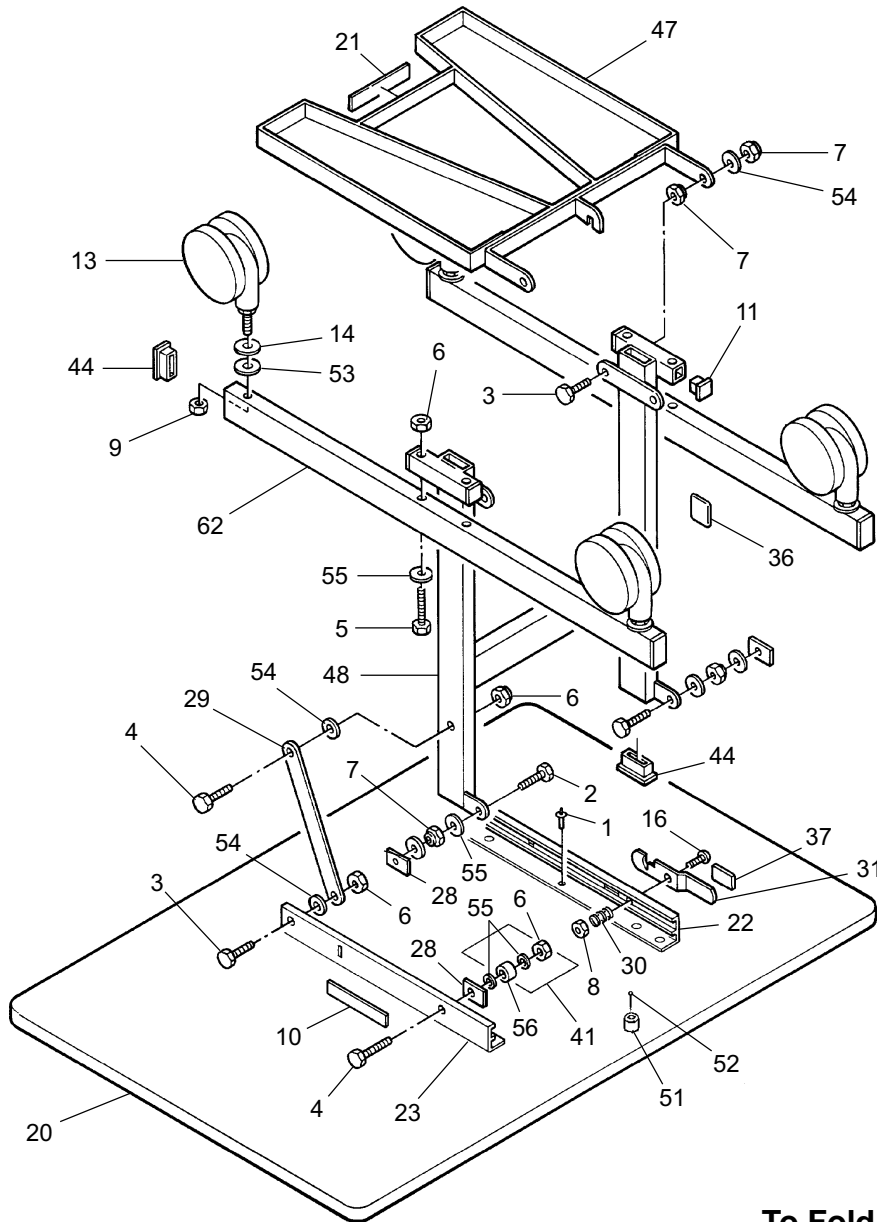




ROOM SERVICE TABLE

Model No. TRU3



IMPORTANT: Always provide Serial No. when ordering parts.

| Item No. | Description |
|----------|----------------------------|
| 1 | Rivet |
| 2 | Cap Screw, 3/8 x 1" |
| 3 | Cap Screw, 3/8" x 1-1/4" |
| 4 | Cap Screw, 3/8" x 2" |
| 5 | Cap Screw, 3/8" x 3-3/4" |
| 6 | Lock Nut, 3/8" |
| 7 | Lock Nut, thin, 3/8" |
| 8 | Lock Nut, 1/4-20 |
| 9 | Lock Nut, M14-2 |
| 10 | Plate, serial number |
| 11 | Tube Cap, 1" square |
| 13 | Caster, swivel |
| 14 | Fender Washer, 1/2" |
| 16 | Cap Screw, 1/4-20 x 1-1/4" |
| 20 | Top |
| 21 | Label, rack |
| 22 | Channel, RH |
| 23 | Channel, LH |
| 26 | Ring, retaining |
| 28 | Glide/Stop |
| 29 | Lever, support |
| 30 | Spring, lock release |
| 31 | Release, top lock |
| 36 | Label, lock release |
| 37 | Label, top release |
| 44 | Tube Cap, 1" x 2" |
| 47 | Rack |
| 48 | Leg Weldment |
| 51 | Pull, finger |
| 52 | Screw, 1" |
| 53 | Washer, Neoprene |
| 54 | Washer, plastic, 3/8" |
| 55 | Washer, 3/8" |
| 56 | Sleeve, flex |
| 60 | Label, parts list |
| 62 | Caster Beam |

To Fold the Top Flat

Pull the top toward you, then press down until the latch snaps. Check carefully that the top is securely latched.

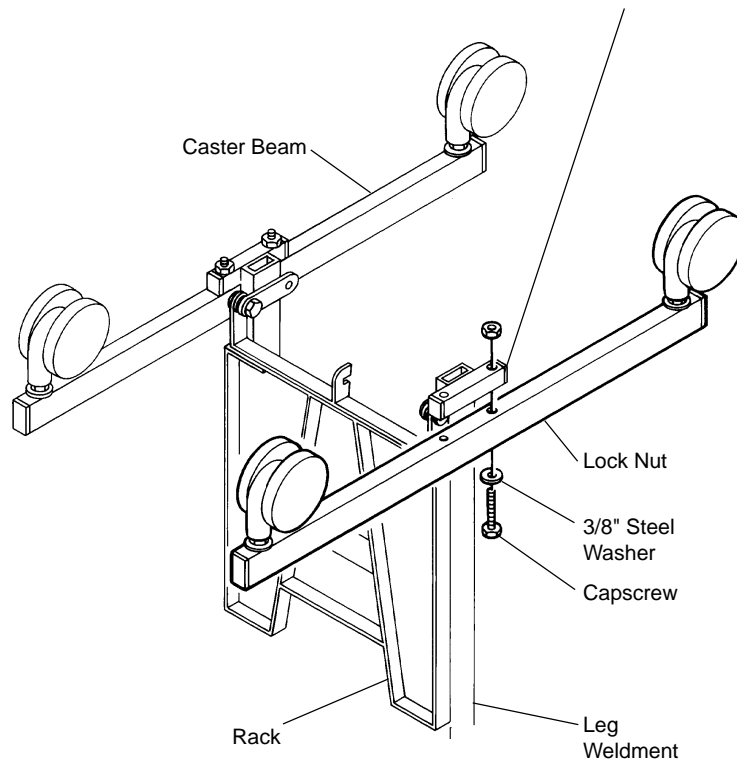
To Tilt the Top for Transport or Storage

Press the bar marked "Top Release - PUSH", and lift the top to tilt it back. Tables can then be nested to take up minimum storage space.

Assembly Instructions

1. Lay the table flat on a smooth surface.
2. Unfold the leg weldment to its upright position.
3. Remove the four 3-3/4" capscrews and lock nuts from the cloth bag attached to the rack.
4. Hold the caster beam with the casters facing up. Attach it to the leg weldment with two capscrews and lock nuts.
Repeat with the other caster beam.
5. Tighten the nuts securely. Make sure the caster beams are square with the leg weldments.

CAUTION: The caster beam must be positioned **as shown** — **on top** of this short tube!



| | | | |
|---|---|--|--|
| <p>The Americas SICO America Inc. USA In U.S., phone (800) 328-6138 Outside U.S., (952) 941-1700 Fax: (952) 941-6688 E-mail: sales@sicoinc.com</p> | <p>Europe SICO Europe LTD. England Phone [44] (1303) 234000 Fax: [44] (1303) 234001 E-mail: sales@sicoeurope.com</p> | <p>Spain & Portugal Sistemas SICO S.L. Spain Phone [34] (91) 358-9076 Fax: [34] (91) 358-9264 E-mail: sico@sistemas-sico.com</p> | |
| <p>Australasia & South Africa SICO South Pacific Australia Phone [61] (2) 4388-5100 Fax: [61] (2) 4389-1341 E-mail: sales@sicosp.com.au</p> | <p>Japan SICO Nippon Co., LTD Japan Phone [81] (3) 3791-2277 Fax: [81] (3) 3791-3300 E-mail: siconpn@apricot.ocn.ne.jp</p> | <p>Asean Countries/ Korea & India SICO Asia PTE LTD. Singapore 118535 Phone [65] 6472-2633 Fax: [65] 6472-2600 E-mail: sales@sicoasia.com</p> | <p>China SICO-SST China Phone [86] (10) 6467-9126 Fax: [86] (10) 6466-4815 E-mail: sales@sico-sst.com</p> |

Visit our website at
www.sicoinc.com