



SICO AMERICA INC.
 7525 Cahill Road
 Minneapolis, MN 55439, USA
 Customer Service: 1-800-424-0796
 Website: www.sicoinc.com

Catering Table Operation

Intended Use

If problems or questions arise, contact Sico America Inc. customer service at the addresses or numbers listed at the bottom of this page.

Note: *Always provide the serial number when ordering parts or requesting technical assistance.*



Caution: *Always lock the locking casters when the Catering Table is in use.*

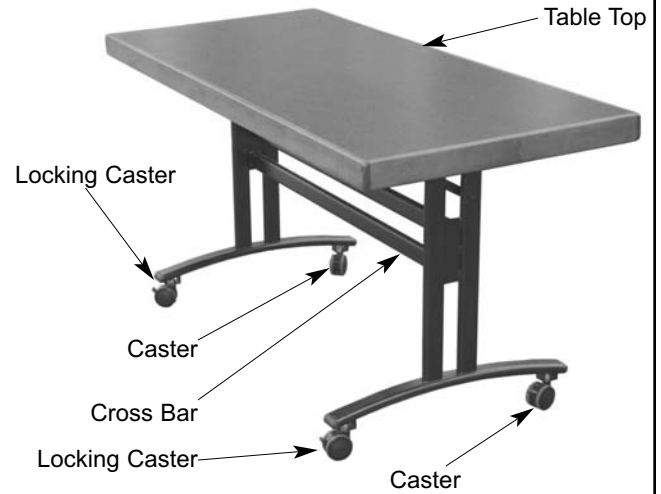


Caution: *To avoid injury, never stand or sit on the Catering Table top.*

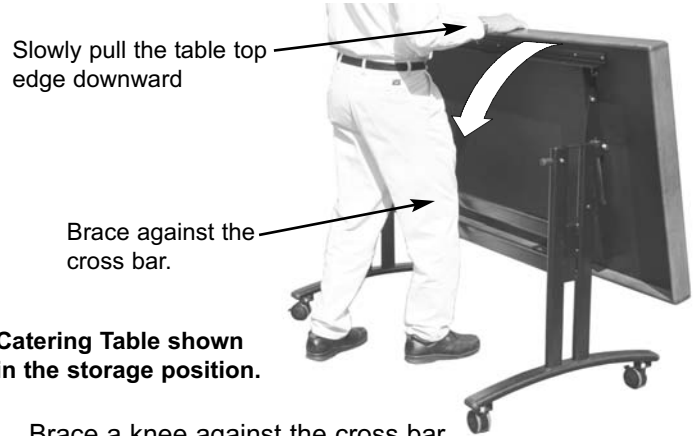


Caution: *When moving the Catering Table, always make sure that the pathway is visible and clear of obstructions.*

Catering Table in the Use Position.



Place Table into Use Position

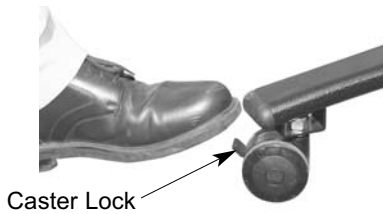


Catering Table shown in the storage position.

1. Brace a knee against the cross bar.
2. Pull the table top edge downward slowly until the table top is horizontal.

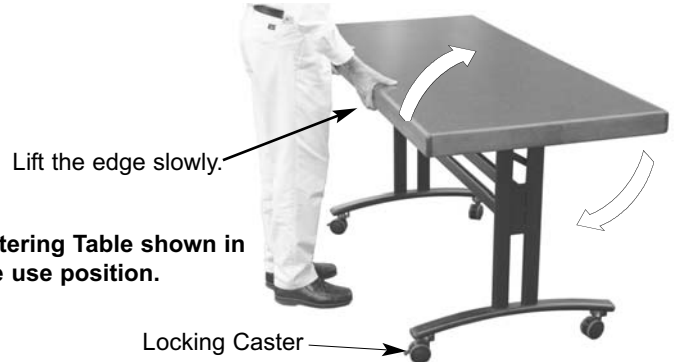
Locking a Caster

Press downward on the caster lock to lock a caster.



Caster Lock

Place Table into Storage Position



Catering Table shown in the use position.

Note: *Always lift the table edge on the side with the two locking casters.*

Grasp the table top edge and lift upward and slowly push the table top to the vertical position (storage position).

Moving the Catering Table

Always push from the end of the table.



- Always push from the end of the table while making sure that the pathway is clear of obstructions.
- The Catering Table can be moved with the table top vertical or horizontal.
- Avoid moving the table over uneven surfaces when set up.
- Two people should work together when moving the table up or down steep inclines.

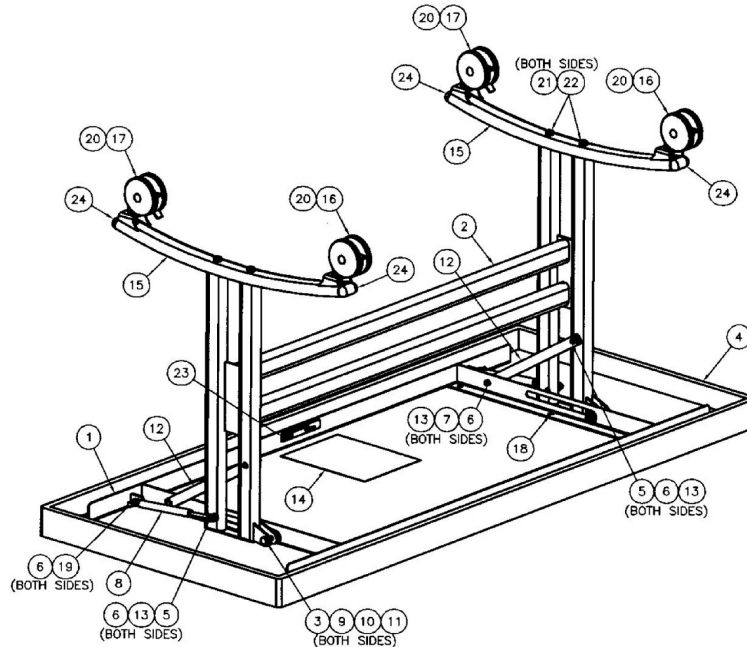


SICO AMERICA INC.
 7525 Cahill Road
 Minneapolis, MN 55439, USA
 Customer Service: 1-800-424-0796
 Website: www.sicoinc.com

Sophisticate Table

PARTS LIST

IMPORTANT: Always provide the serial number when ordering parts.



FN	PART NUMBER	DESCRIPTION	QTY
1	270125-72	WELDMENT, TABLE FRAME	1
2	270190-7236	WELDMENT, SUB-FRAME	1
3	109835-070	SCR C HH M10x1.5x60MM	2
4	TABLE TOP	REFER TO SALES ORDER	1
5	270155	BHCS M8 X 55MM	4
6	270153	M8 LOCKNUT	10
7	270156	HHCS M8 X 25MM	2
8	118184	DAMPER	2
9	112644	FENDER WASHER .405 ID 1.25 OD	10
10	270150	BUSHING	2
11	109834	NUT STOP M10x1.5	2
12	270143	TOP FRAME LEVER	2
13	000299B	WASHER FL .34x.69x.06	16
14	118182	OPERATING INSTRUCTION LABEL	1
15	270140	WELDMENT, CASTER BEAM	2
16	114602	CASTER BODY 4"	2
17	114602L	CASTER BODY 4"	2
18	000213	RIVET DRIVE .25x.66	16
19	270154	HHCS M8 X 45MM	2
20	115212	NUT STOP M14x2	4
21	109839	LOCK WASHER M10	4
22	109835-025	SCR C HH M10x1.5x25 MM	4
23	112822	SERIAL PLATE STAGE	1
24	118601-01	TUBE CAP OVAL ROUND	4
25	103760	BUMPER (NOT SHOWN)	2
26	109829	RIVET (BUMPER) (NOT SHOWN)	2

SICO America Inc. reserves the right to substitute materials or make changes if materials are not available or such changes improve the product.