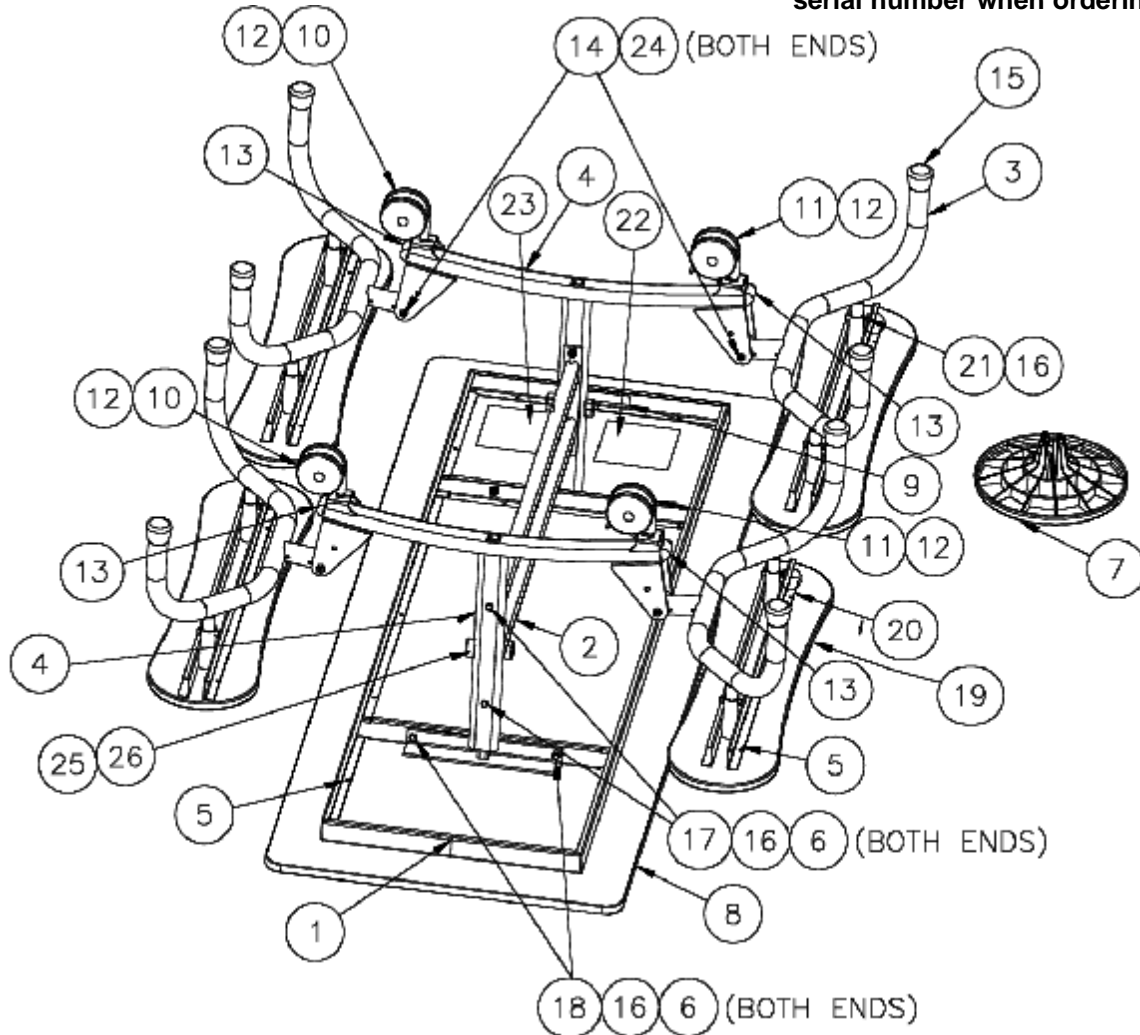




PARTS LIST

IMPORTANT: Always provide the serial number when ordering parts.



FN	DESCRIPTION	QTY	FN	DESCRIPTION	QTY
1	TOP FRAME WELDMENT 80"	1	15	GLIDE	8
2	CONNECTOR WELDMENT	1	16	M8 LOCKNUT	16
3	WELDMENT SEAT SUPPORT	4	17	HHCS M8X50MM	4
4	LEG SUPPORT WELDMENT	2	18	HHCS M8X25MM	4
5	RIVET DRIVE BH .25X.38	44	19	BENCH	4
6	WASHER FL .34X.69X.06	8	20	WELDMENT BENCH SUPPORT	4
7	STOOL & PIN	8	21	HHCS M8X40MM	8
8	TOP	1	22	OPERATING INSTRUCTIONS	1
9	SERIAL PLATE	1	23	PARTS LIST	1
10	CASTER 4" NON-LOCKING	2	24	SCREW, M8X18 BUTTON HEAD	8
11	CASTER 4" LOCKING	2	25	RIVET, STEEL, BLIND .19	4
12	NUT STOP M14X2	4		[27" ONLY]	
13	TUBE CAP OVAL ROUND	4	26	BUMPER, RUBBER	4
14	PIVOT BINDING POST	4		[27" ONLY]	

SICO America Inc. reserves the right to substitute materials or make changes if materials are not available or such changes improve the product. US Patent 7,611,193.