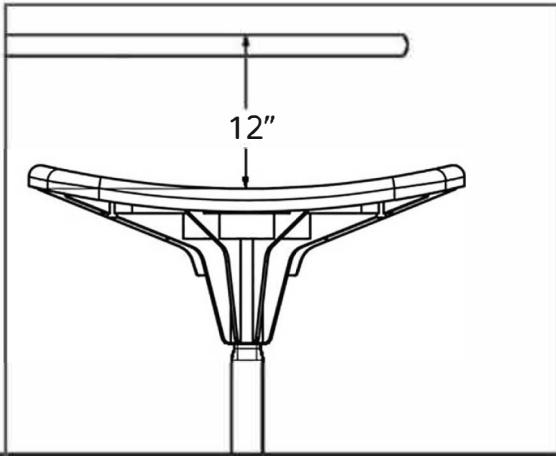
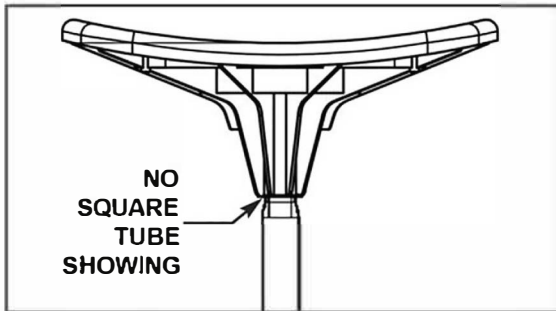
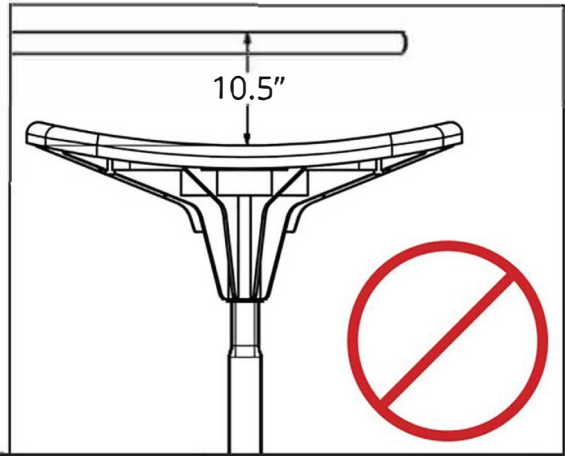
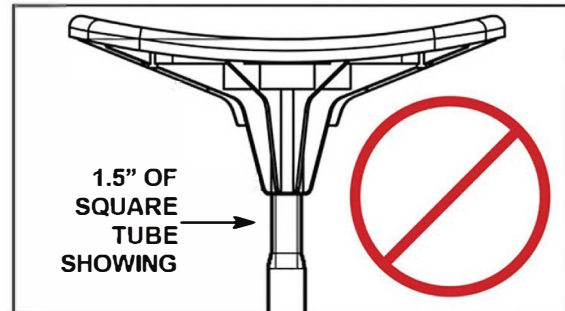


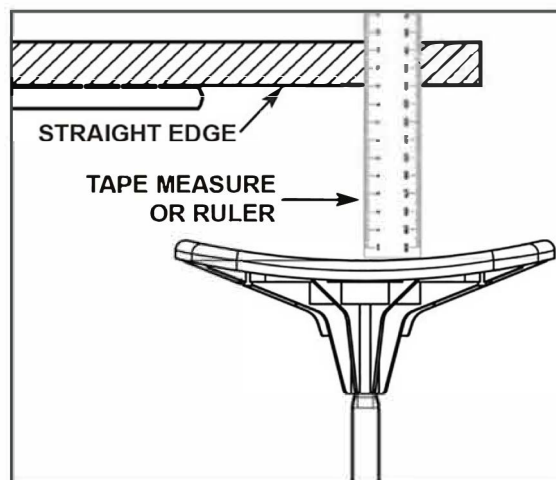
Proper Installation



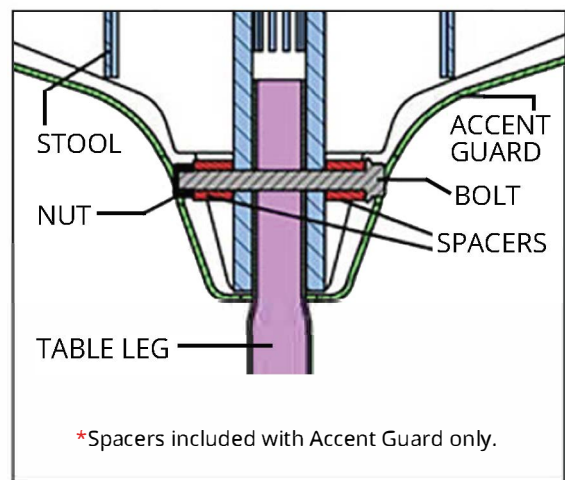
Improper Installation



How to Measure the Distance



Proper Installation Section View of Stool Assembly



MAXIMUM TORQUE ON BOLT 200 IN POUNDS / DO NOT USE IMPACT WRENCH OR HAMMER DRILL

Tools Required:



x 2
(two)