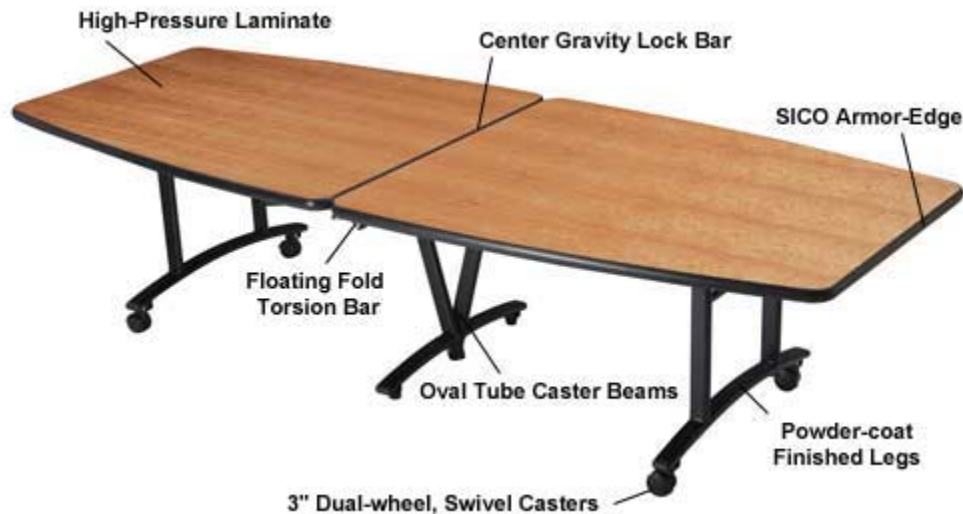


# SICO<sup>®</sup> Conference Table

A perfect table for conference rooms, board rooms & offices.



## Features, Advantages & Benefits

### SICO<sup>®</sup> ARMOR-EDGE<sup>®</sup>

- The most durable edge available.
- Provides an incredibly tough edge to take hard everyday abuse without damage.
- Hermetically seals the tabletop for sanitary purposes and prevents moisture from entering table top core.
- Proven track record for long-term durability.

### High-pressure Laminate

- Tough .04" (.10cm) thickness high-pressure laminate for added durability and long-term wear.
- A large variety of striking colors and patterns are available to fit any cafeteria decor.

### Table Top Solid MDF Core

- Laminate tops are made with extremely durable ¾" MDF core material that is stronger than plywood or particleboard, is light-weight, and resists warping.

### Rigid Vinyl Backer Sheet

- Applied to the underside of the tabletops for moisture control and easy cleanup (including gum removal), stain resistance and fantastic appearance.
- Far superior to all types of paper backers.

**Tamper Proof Expansion Rivets** – Fastens tabletop firmly to the frame and will not work loose like ordinary screws.

**Aircraft Lock-nuts** – Tamper-resistant lock-nuts are used at all pivot points and won't loosen over time.

**Torsion Bar Assist** – Allows one person to easily fold and unfold table fast and easy. A more durable and long-lasting system than others. Lifting is effortless.

**Center Gravity Lock Bar** - ½" (1.3cm) center gravity lock bar prevents anyone from raising center of table by sitting on the table end.

**Two 7 Gauge Vertical Hinges** – Extra heavy self-cleaning hinges won't trap food while providing additional strength, security and durability.

**Square Tube and Horizontal Support Frame** - Finished for durability, appearance, and ease of cleaning. 14-gauge square steel center support gives greater strength while preventing damage to tops at center.

**Powder-coat Finished Legs** - Finished for durability, appearance, and ease of cleaning.

**Recessed Legs** - No leg obstructions under table. Prevents bumping of knees.

**Mobility/Storage** - Tables nest together requiring minimum of storage space. Need no caddy. No lifting. One person can easily roll this conference table into service or storage.

**Oval Tube Caster Beams** - Built for additional strength and durability. Aesthetically pleasing design. 16-gauge steel tube within a tube design doubles the strength and durability.

**3" Dual-wheel, Swivel Casters** – Reinforced nylon swivel casters roll quietly. Non-marring casters protect the floor.

**Optional Built-in Flip-Up Data Port & Outlet** - Available on request for an additional fee.

**Serial Number** - Permanently marked for easy identification.

**Warranty** – Protected by a **15-Year Warranty** against manufacturer's defects. **Lifetime Warranty** on welds.

## Specifications

Model No.	Top Dimensions	Top Heights	Storage Dimensions	Weight
TLH41F??02CS	10' L x 4' W (305cm x 122cm)	29.5" (75cm)	48"L x 35"W x 70"H (122cm x 89cm x 178cm)	362 lbs. (163kg)
TLJ41F??02CS	12' L x 4' W (366cm x 122cm)	29.5" (75cm)	48"L x 35"W x 79.5"H (122cm x 89cm x 202cm)	429 lbs. (193kg)

## Laminate Options



\* Check with a SICO Representative for additional laminate choices available.

## Table Top Armor-Edge Options



## Table Leg Frame Options



Chrome (C)



Black Powdercoat (B)

# SICO® Conference Table Dimensions

## 12' Dimensions

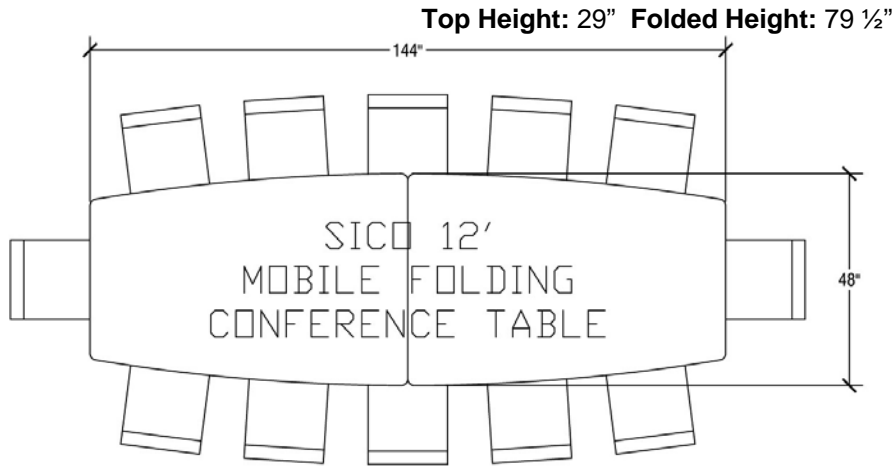
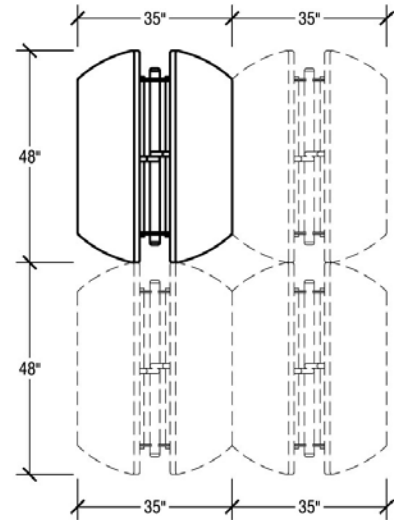


Table Dimensions



Storage Configuration

## 10' Table Dimensions

Top Height: 29" Folded Height: 70" Table Top Size: 120"x48"

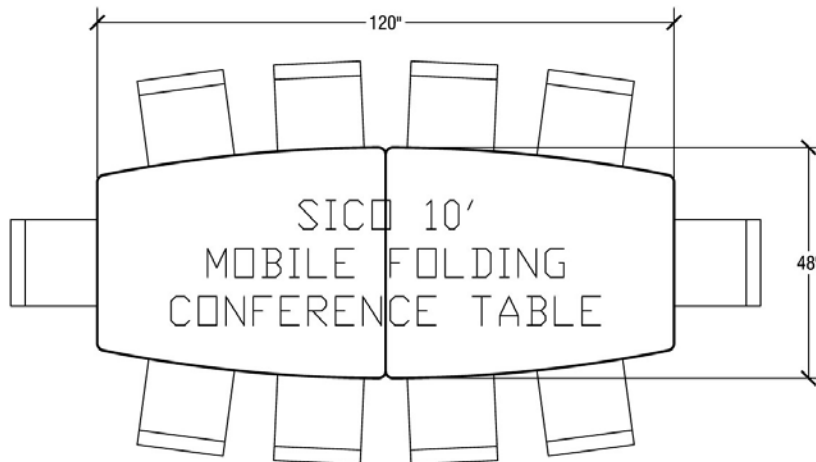
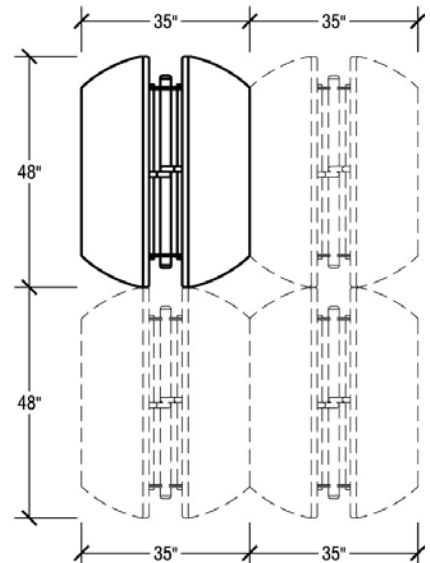


Table Dimensions



Storage Configuration



For More Information Visit: [http://www.sicoinc.com/conference\\_tables.php](http://www.sicoinc.com/conference_tables.php)  
7525 Cahill Road, Minneapolis MN 55439  
1.800.533.7426