

# SICO® Fold N' Set Folding Leg Stage

A portable performance stage system for large venues.



## Features, Advantages & Benefits

**Structural Deck** (SICO® Venue Maker) – 4'x8' deck sections provide a sturdy, solid feel for your performers.

- **Multi-Layer Deck Construction** – A cellular honeycomb core is bonded between two 3/8" (.95cm) quality plywood substrates for a lightweight, yet structurally strong and very quiet deck system.
- **Reversible Deck Surface** - Deck surfaces are available with your choice of a long wearing carpet, scratch-resistant Tuff-Deck or reversible carpet/Tuff-deck surface for flexibility in choosing the best surface for any event.
- **Bridged Decking** - Utilize **4-Way Bridging** for quick deck installation between frames. Creates large open spaces underneath that are ideal for stringing cables or stage-side storage.
- **Load Capacity** - Design live load is a uniformly distributed load of 125 lbs. per square foot (613 kg. per square meter), meeting or exceeding most building requirements.
- **Corner Holes** – Corner deck holes make it easy to visually line up the flex pins to the deck for quick set-up time.
- **Reinforced Deck Corner** – Deck corners are reinforced with solid wood blocks in addition to external protective ABS plastic corners providing tremendous protection from drops, plus long-term durability.
- **Deck Edges** – Protective impact-resistant ABS plastic edging is bonded to the understructure.
- **Hook & Loop Drapery Fasteners** – Continuous hook fastener banding placed around the perimeter edges of decking allows for quick and easy attachment of skirting without any clips or pins.

**Sway Braces** – Provides additional stability to the stage system. Stores neatly on the frames.

**Sway Brace Brackets** - Securely store sway braces to the modular system and load onto caddy during transport.

**Serial Numbers** – Attached to frame for easy identification.

**Leg Assemblies** – Provide leg support to deck structure.

- **Secure Height Adjustment Pins** – Adjusts leg heights from 12" (30.5cm) to 72" (183cm). See specifications for available height ranges.
- **Adjustment Glides** – Level the stage on uneven floors and provide up to 5" of height adjustments. Non-marring glide surface is designed to protect the floor.

**Pin Connectors** – Two connector pin options provide a quick, yet solid attachment of decks and frames without any hole plugs needed. Capable of 2, 3 or 4-way bridging.

1. **Flex Pin Connectors** – This standard connector easily attaches to the top of frame and self-aligns frames to the deck making stage installation quick and easy
2. **Universal Flexible Pin Connectors** (Optional) – This SICO® Exclusive secures decks to frame in any configuration. A spring loaded mechanism adjusts quickly, which eliminates the need to remove decks to change pins.

- **Expanding Rubber Gasket** (A SICO® Exclusive) - A rubber bushing located at the base of each flex pin can be expanded to secure the deck tightly to the leg pin frame support. This feature reduces noise and bounce while increasing the overall stability of the system.



**Efficiency**– An experienced crew of four can set a 40' x 64' (12.2m x 19.5m) stage in less than 60 minutes, (120 minutes with accessories package) saving labor. Disassembles in even less time.

**Stage Accessories** – SICO® provides all necessary accessories to complete your professional stage setup. Refer to our literature containing our complete line of stage accessories.

**Warranty** – Protected by a **3-Year Warranty** against manufacturer's defects. **Lifetime Warranty** on welds.

## Specifications

Model No.	Structural Reversible Venue Maker Decks	
SPD34122401	4'x8' Scratch Resistant Tuff-Deck & Carpet Surface on Either Sides of Structural Decking.	133 Lbs.
SPD34401401	4'x8' Scratch Resistant Tuff-Deck Surface on Both Sides of Structural Decking.	133 Lbs.

Model No.	Single Height Frame Supports. (Works with 4'x8' Decks)	
3621-412BS2	12" (30cm) Height	85 Lbs.
3621-416B	16" (41cm) Height	90 Lbs.
3621-424B	24" (61cm) Height	95 Lbs.
3621-432B	32" (81cm) Height	100 Lbs.

Model No.	Adjustable Height Deck Frame Supports. (Works with 4'x8' Decks)	
3622-416BS1	12" to 16" (31cm to 41cm ) Adjustable Heights – 4" (10cm) Height Increments	105 Lbs.
3623-424B	16" to 24" (41cm to 61cm ) Adjustable Heights – 4" (10cm) Height Increments	110 Lbs.
3623-432B	24" to 32" (61cm to 81cm ) Adjustable Heights – 4" (10cm) Height Increments	115 Lbs.
3625-448B	32" to 48" (81cm to 122cm ) Adjustable Heights – 4" (10cm) Height Increments	120 Lbs.
3628-476B	48" to 76" (122cm to 193cm ) Adjustable Heights – 4" (10cm) Height Increments	140 Lbs.
3626-454BS1	36" to 54" (91cm to 137cm ) Adjustable Heights – 6" (15cm) Height Increments	130 Lbs.
3628-460BS1	42" to 60" (107cm to 152cm ) Adjustable Heights – 6" (15cm) Height Increments	135 Lbs.
3628-472BS1	48" to 72" (122cm to 183cm ) Adjustable Heights – 6" (15cm) Height Increments	140 Lbs.

Model No.	Flex-Pin Connectors
3612-001Z	Single-Pin on Cable Flex Connector
3612-002Z	Two-Pin on Cable Flex Connector
3612-003Z	Three-Pin on Cable Flex Connector
3612-004Z	Four-Pin Flex Connector
SPC112Z	Universal Spring Loaded Two-Pin Connector
SPC114Z	Universal Spring Loaded Four-Pin Connector
120530S1	Unit to Unit End to End 6" Connector – (Connects narrow ends together)
108220-11BS1	Unit to Unit Side to Side 11" Connector – (Connects 8' long edges together)

# Personalization Options

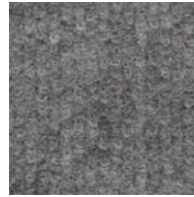
## Stage Deck Surface Options



Cayenne (48)



Charcoal (24)



Cloud-Gray (22)



Fern Bank (47)



Light Buff (25)



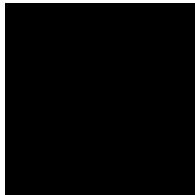
Metallic Blue (43)



Onyx (23)



Roasted Almond (46)



Black Tuff-Deck (01)

Durable Tuff-Cord Needlebond Carpet Fabrics and non-carpeted durable scratch resistant black Tuff-Deck surface options available. Choose from carpet on one side, hard tuff-deck surface on reverse side or Tuff-Deck surface on both sides.

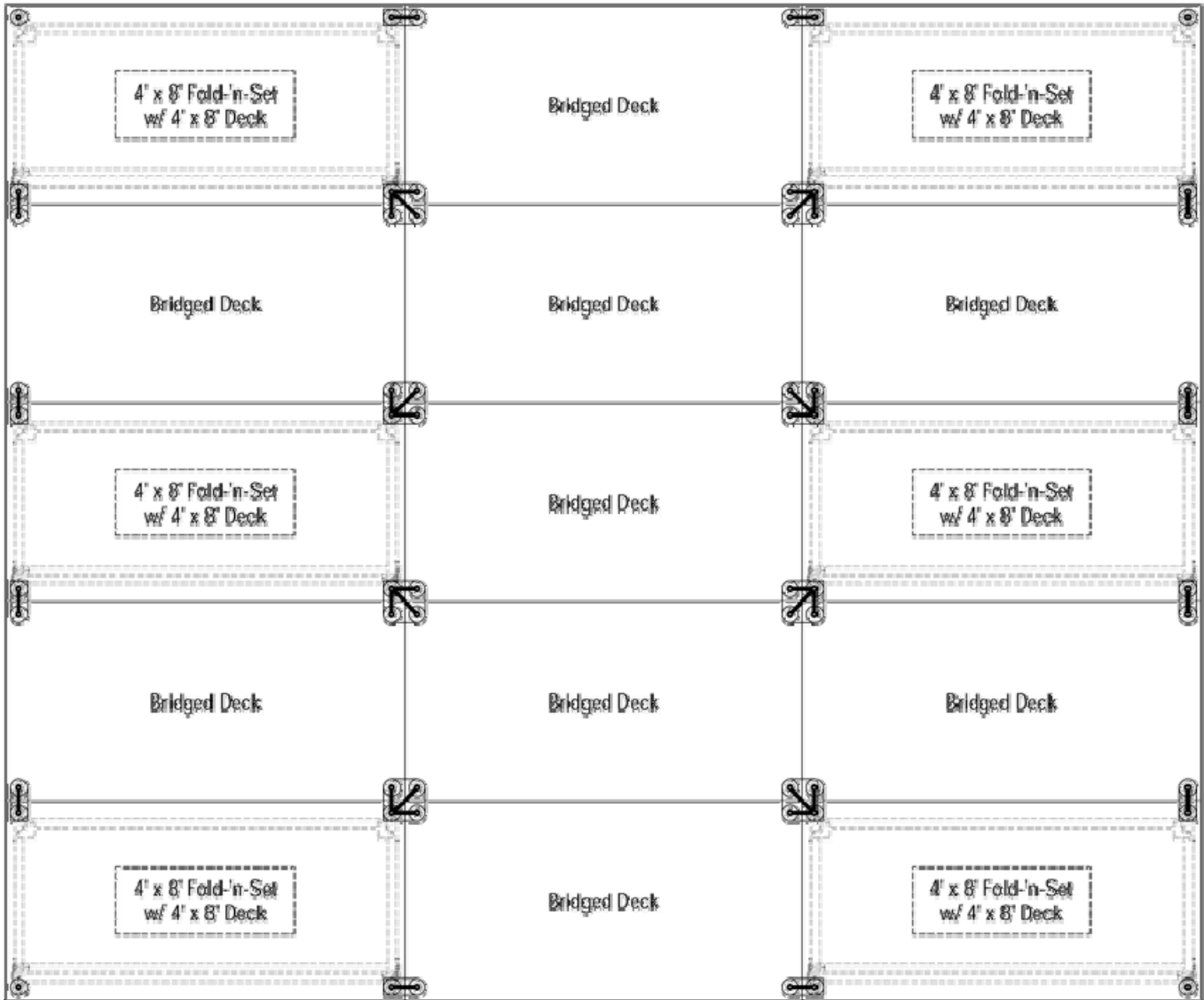


For More Information Visit: <http://www.sicoinc.com/fns.php>

7525 Cahill Road, Minneapolis MN 55439  
1.800.533.7426

# Typical Deck Bridging Configuration

Fold N Set directly supports (1) deck and can support adjacent decks on all sides by bridging. Bridged decks must be supported by Fold N Set supports on all corners as shown above. Decks are 4'x8' (122cm x 244cm). Configuration below illustrates usage of 1 Pin, 2 Pin, & 4-Pin flex connectors.



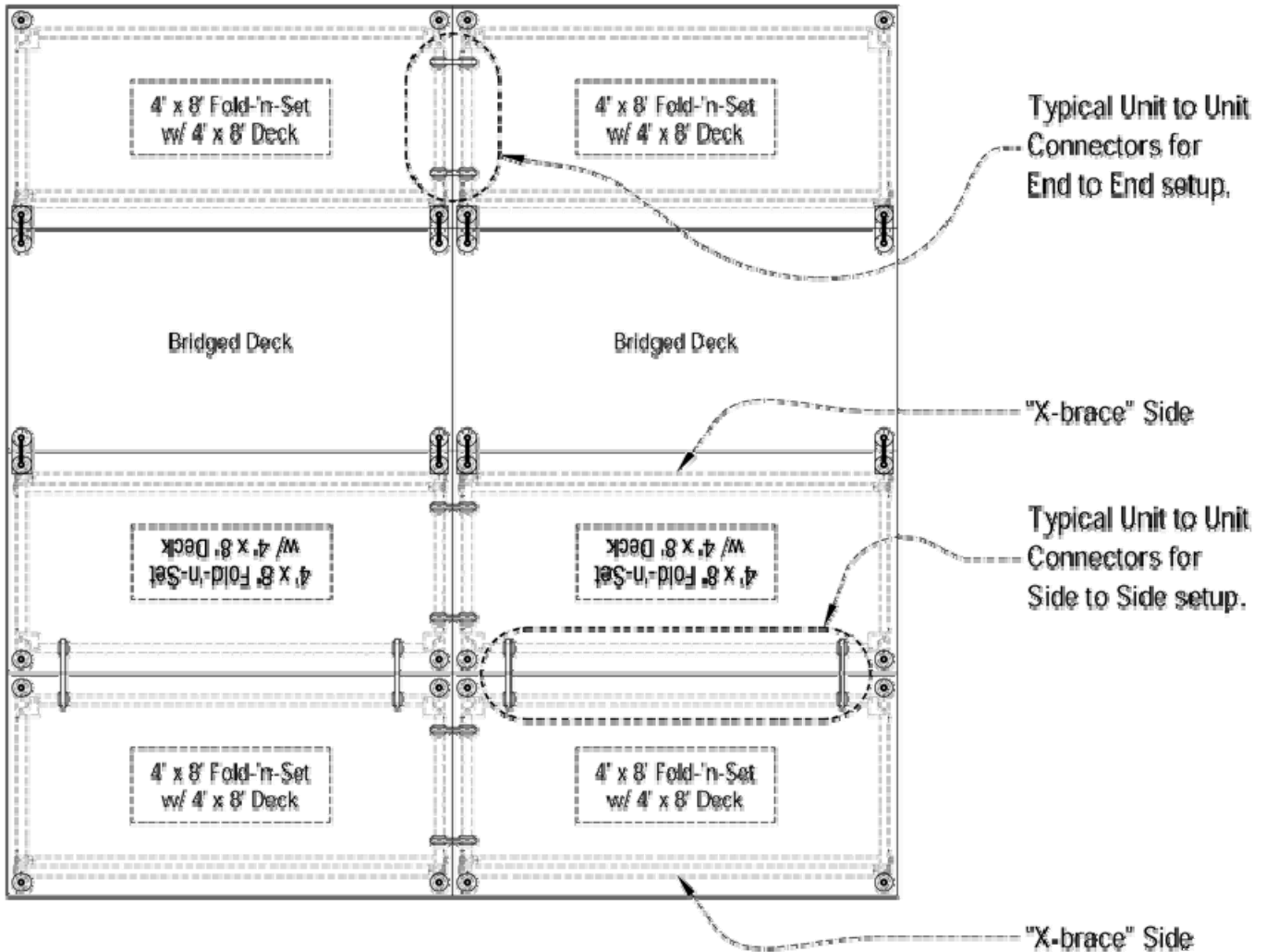
⊙ **Single Pin Connector**

⌚ **Two Pin Connector**

⌚⌚ **Four Pin Connector**

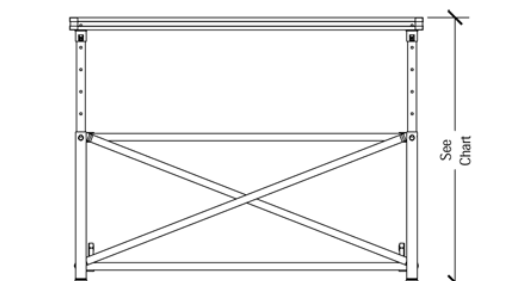
# Typical Non-Bridging Configuration

When not bridging, Fold N Set supports must be linked with (2) "Unit-to-Unit Connectors". Use "Side-to-Side Connectors" at long sides. Use "End-to-End Connectors" on short sides. Long sides of supports must be adjacent for side to side bridging. Decks are 4'x8' (122cm x 244cm)

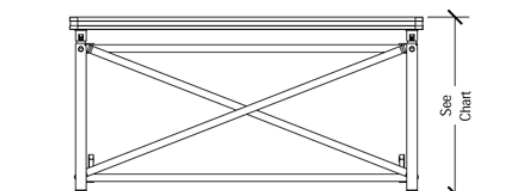


# Dimensional Drawings

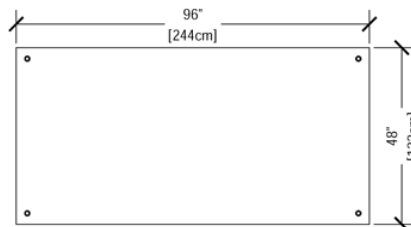
## Fold N Set 4' x 8' (122cm x 244cm) Stage – (Multi-Height)



Elevation at highest height



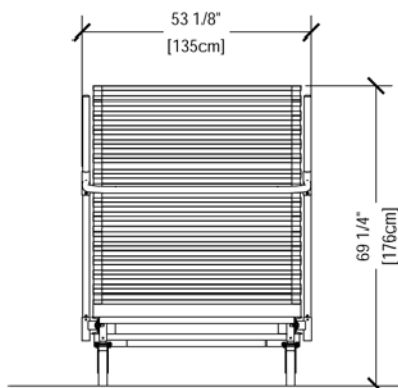
Elevation at lowest height



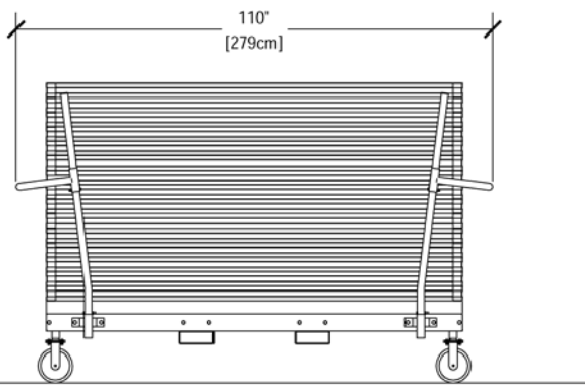
Top View (Fold-'n-Set with One 4' x 8' Deck)

### Open Stage Dimensions

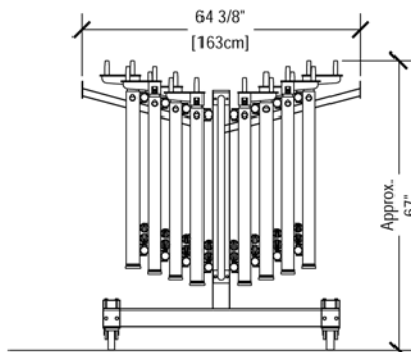
## Fold N Set Deck & Frame Transport Caddy



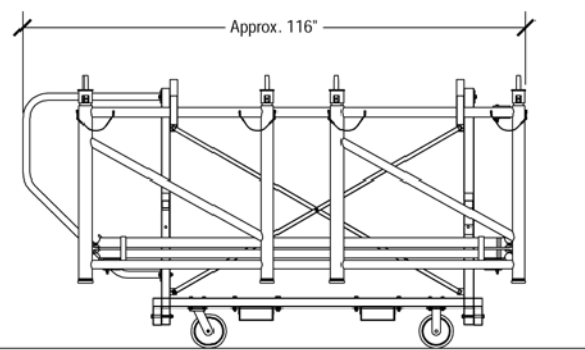
End View Deck Caddy



Side View Deck Caddy (Holds up to 15 Venue Maker Decks)



End View Frame Caddy



Side View Frame Caddy (Holds up to 8 Fold-'n-Set Frames)

### Storage Configuration



For More Information Visit: <http://www.sicoinc.com/fns.php>

7525 Cahill Road, Minneapolis MN 55439  
1.800.533.7426