

# SICO® Luggage Carts

High quality, durable luggage carts are built to last.



## Features, Advantages & Benefits

### 4-Wheel Luggage Carts

**Tubular Frame Finish Options** - Superior durability and sturdy look. Available in polished brass, polished stainless, and brushed stainless finishes.

**Vertical and Horizontal Retaining Bars** - Keeps luggage secure. Comes standard.

**Platform Deck with Reinforced Frame** - Sturdy construction. Handles heavy loads easily.

**Non-Marking Pneumatic or Cushion Wheels** - Your choice for easy rolling and superior handling

**Extra Wide Carpeted Surface** - Spacious 47" (119cm) x 24" (61cm) platform increases luggage capacity.

**Full Wrap-Around Rubber Bumper** - Protects cart and property from damage.

**Stainless Steel Skirting** - Adds strength & style to cart.

**Push Bar Handles** - Solid grip, ease of operation.

**Hanger Bar** - Accommodates hanging items. Size varies by model style. Cairo model has logo plate to customize your luggage cart.

**Ships Fully Assembled** - No set-up time required.

**Quick Ship** – In-stock and ready to ship.

**Logo Plate** - SICO® Cairo Model only.

### 2-Wheel Luggage Carts

**Mounted Frame Legs** - Cart rests on leg frame when moved from vertical to horizontal position.

**1" Tubular Frame** - Built to last. Available in polished brass, polished stainless, and brushed stainless finishes.

**2-Piece Folding Design** - Folds up for compact storage.

**Carpeted Frame Apron** - Protects items in transport. Can be replaced if necessary. Available in 12 standard carpet colors.

**10.5" (27cm) Non-marking Pneumatic Wheels** - Easy rolling over rough surfaces. Excellent tread for traction.

**Hanger Hook** - Protects your luggage cargo.

**Ships Fully Assembled** - No set-up time required.

**Quick Ship** – In-stock and ready to ship.

**Warranty** – Protected by a **3-Year Warranty** against manufacturer's defects. **Lifetime Warranty** on welds.

# SICO® Luggage Specifications

## Specifications

\* Model Numbers identified with red asterisk are non-inventoried special order items available upon request.

Steel Finish	Model No.	Dimensions	Hanger Bar	Dia. Frame	Wheels
<b>CAIRO Luggage Cart</b>					
Polished Stainless	VPL121A??PS?	Length: 47.25" (120cm) Width: 24.375" (62cm) Height: 70.75" (180cm)	26" (66cm).	2" (5cm).	Four 8.5" (22cm) pneumatic wheels
Polished Stainless	VPL121C??PS?				Four 8" (20cm) gray cushion wheels
Brushed Stainless	VPL121A??BS?				Four 8.5" (22cm) pneumatic wheels
Brushed Stainless	VPL121A??BS?				Four 8" (20cm) gray cushion wheels
Polished Brass	* VPL121B??PB?				Four 8.5" (22cm) pneumatic wheels
Polished Brass	* VPL121D??PB?				Four 8" (20cm) gray cushion wheels
<b>MONTE CARLO Luggage Cart</b>					
Polished Stainless	* VPL124C??PSN	Length: 47.25" (120cm) Width: 24.375" (62cm) Height: 69.75" (177cm)	44" (112cm)	1.5" (4cm).	Four 8" (20cm) gray cushion wheels
Brushed Stainless	VPL124C??BSN				Four 8" (20cm) gray cushion wheels
Polished Stainless	* VPL124A??PSN				Four 8.5" (22cm) pneumatic wheels
Brushed Stainless	VPL124A??BSN				Four 8.5" (22cm) pneumatic wheels
<b>TRIPOLI Luggage Cart</b>					
Polished Stainless	* VPL125C??BSN	Length: 47.25" (120cm) Width: 24.375" (62cm) Height: 72.5" (184cm)	41" (104cm)	1.25" (3cm).	Four 8" (20cm) gray cushion wheels
Brushed Stainless	VPL125C??PSN				Four 8" (20cm) gray cushion wheels
Polished Stainless	* VPL125A??PSN				Four 8.5" (22cm) pneumatic wheels
Brushed Stainless	VPL125A??BSN				Four 8.5" (22cm) pneumatic wheels
<b>BALI Luggage Cart</b>					
Polished Stainless	* VPL123A??PSN	Length: 41" (104cm) Width: 25" (63.5cm) Height: 45" (114cm) Depth: 22" (56cm)	N/A	1" (2.54 cm).	10.5" (27cm) - pneumatic wheels.
Polished Brass	* VPL123A??PBN				
Brushed Stainless	VPL123A??BSN				

# SICO<sup>®</sup> Luggage Cart Personalization Options

## Metal Frame Finish Options



Brushed Stainless Steel



Polished Stainless Steel



Polished Brass

## Wheel Options

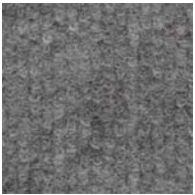


Zinc Pneumatic



Zinc Gray Cushion w/Lock

## Carpet Color Options



Cloud Gray



Onyx



Charcoal



Brick



Light Buff



Roasted  
Almond



Fern Bank



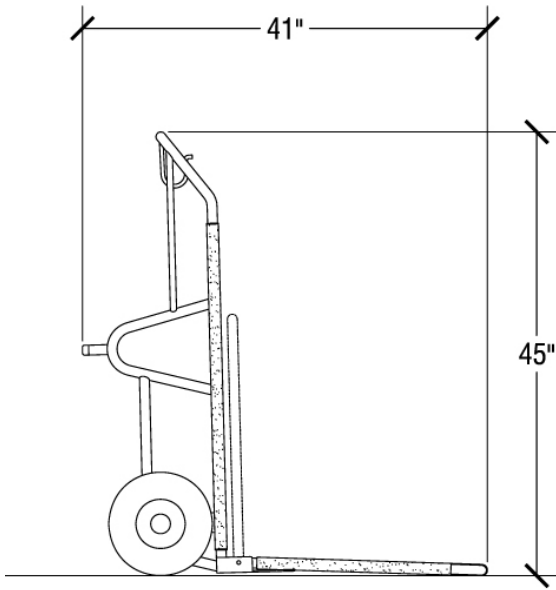
Metallic Blue



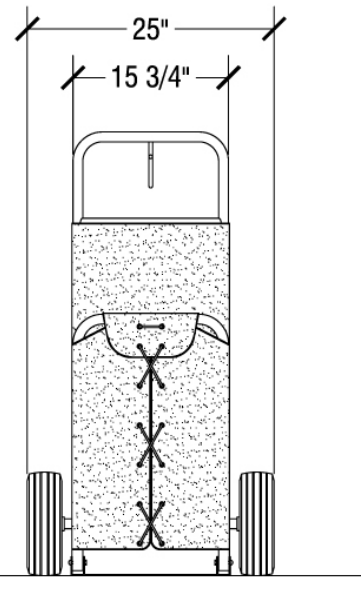
Cayenne

# SICO<sup>®</sup> Luggage Cart Dimensions

## Bali Dimensions



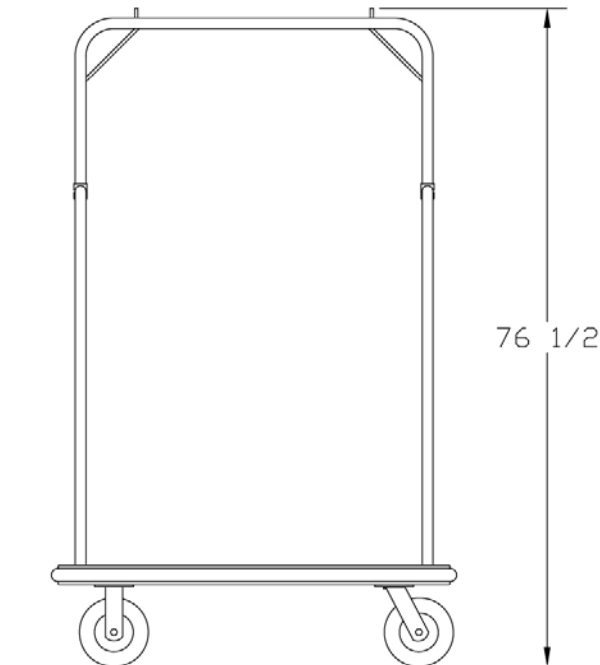
Side View



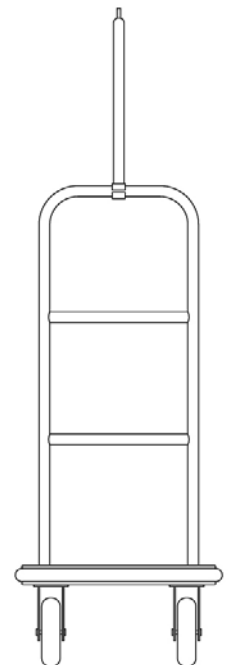
End View

## Tripoli Dimensions

Retaining Bars - Length: 4 horizontal 1.25" (3cm).



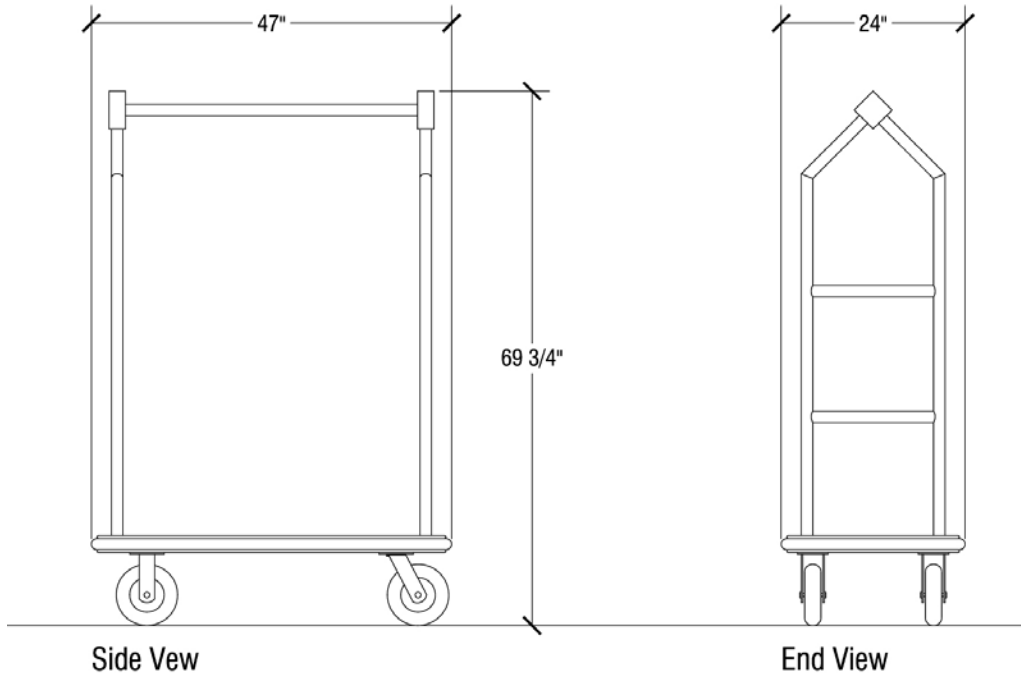
Side View



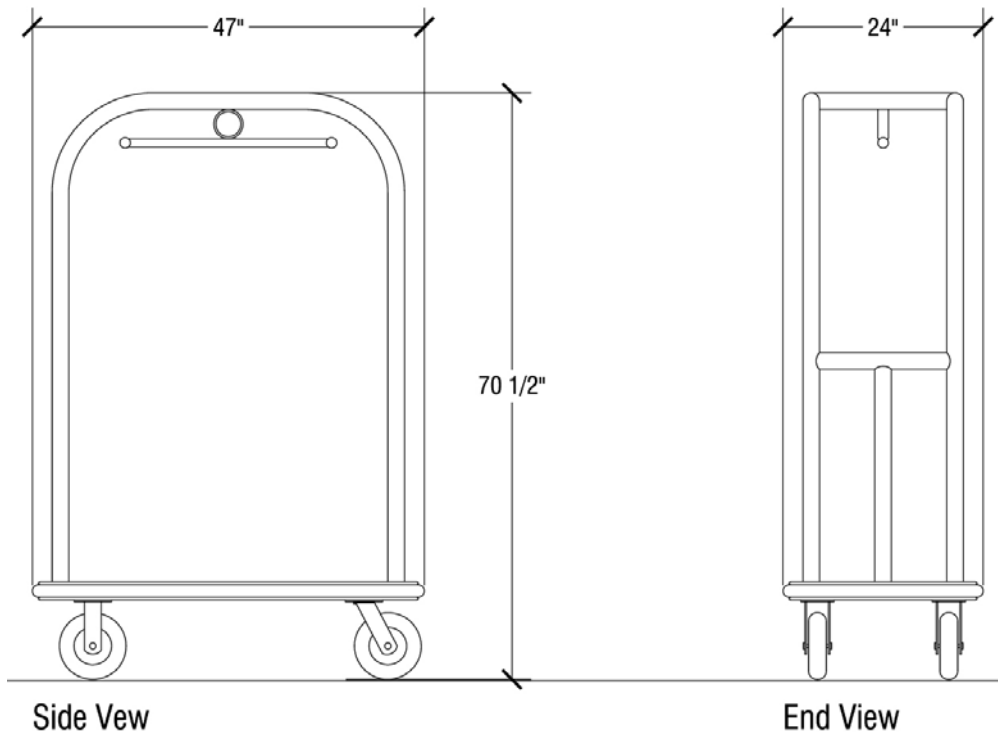
End View

## Monte-Carlo Dimensions

Retaining Bars - Length: 4 horizontal 1.5" (4cm).



## Cairo Dimensions



For More Information Visit: <http://www.sicoinc.com/luggagecarts.php>  
7525 Cahill Road, Minneapolis MN 55439  
1.800.533.7426