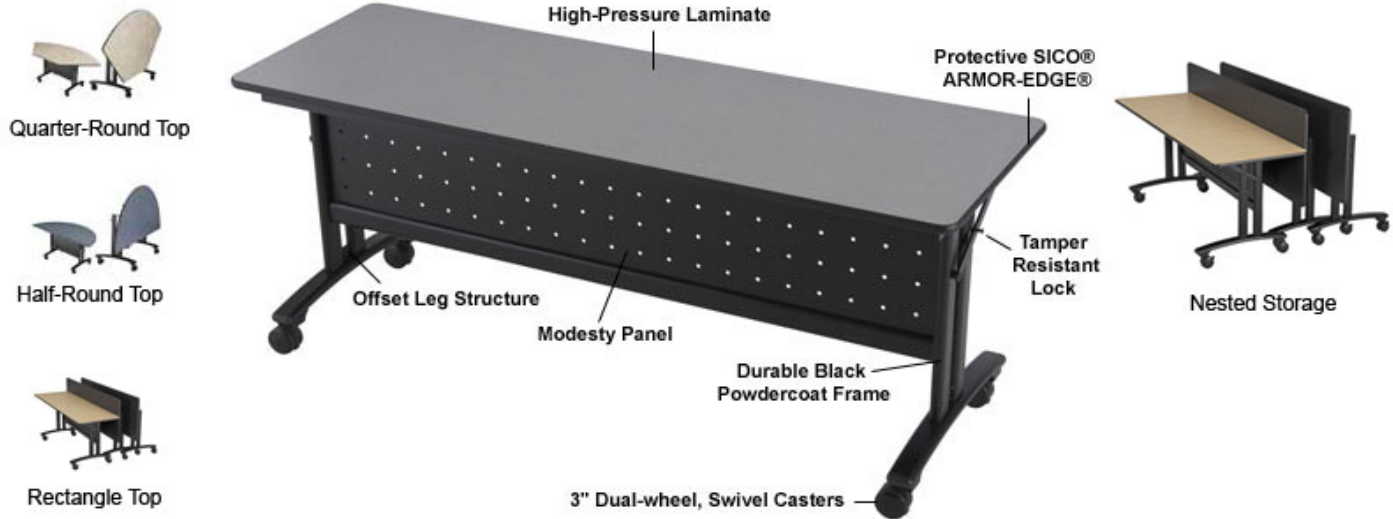


SICO® MultiApp Table

Multiple uses. Multiple Styles. Variety of shapes and sizes.



Features, Advantages & Benefits

SICO® ARMOR-EDGE®

- The most durable edge available.
- Provides an incredibly tough edge to take hard everyday abuse without damage.
- Hermetically seals the tabletop for sanitary purposes and prevents moisture from entering table top core.
- Proven track record for long-term durability.

High-pressure Laminate

- Tough .04" (.10cm) thickness high-pressure laminate for added durability and long-term wear.
- A large variety of striking colors and patterns are available to fit any cafeteria decor.

Solid MDF Core - Laminate tops are made with extremely durable ¾" MDF core material that is stronger than plywood or particleboard, is light-weight, and resists warping.

Rigid Vinyl Backer Sheet

- Applied to the underside of the tabletops for moisture control and easy cleanup (including gum removal), stain resistance and fantastic appearance.
- Far superior to all types of paper backers.

Table Top Folds - Tabletop remains in the use position until lock is released for folding into storage configuration.

Tamper Proof Expansion Rivets – Fastens tabletop firmly to the frame and will not work loose like ordinary screws.

Aircraft Lock-nuts – Tamper-resistant lock-nuts are used at all pivot points and won't loosen over time.

Pneumatic Assist - Makes folding and unfolding the tabletop quick and easy.

Tamper Resistant Lock – Used for locking the table into a fixed use position. Secured by tamper proof Allen wrench/hex screw system.

Offset Leg Structure - Allows plenty of leg room. No leg obstructions under table.

Black Powder-Coat Frame - Long-lasting durable finish that resists scratches and acts as a protectant.

Modesty Panel - Adds privacy under tabletop.

3" Dual-wheel, Swivel Casters – One person can easily roll and maneuver tables into service or storage. Rugged locking casters stabilize table.

Storage – Tabletop folds and nests in a minimum of storage space. Tops fold and tables nest for easy storage.

Free Space Analysis - Analysis drawings which will provide you with the appropriate number of tables and accessories.

Warranty – Protected by a **10-Year Warranty** against manufacturer's defects. **Lifetime Warranty** on welds.

Specifications

Model No.	Description	Top Heights	Storage Dimensions	Weight
Quarter-Round				
TUK22WST??02B?	24"x30" (61cm x 76cm)	29" (74cm)	30"Lx28"W (76cm x 71cm)	52 lbs / 24kg
TUK22WSU??02B?	30"x30" (76cm x 76cm)	29" (74cm)	30"Lx28"W (76cm x 71cm)	65 lbs / 29kg
Half-Round				
TUH22WSR??02B?	48"x60" (122cm x 152cm)	29" (74cm)	60"Lx24-1/4"W (152cm x 62cm)	74 lbs / 34kg
TUH22WSS??02B?	60"x60" (152cm x 152cm)	29" (74cm)	60"Lx24-1/4"W (152cm x 62cm)	90 lbs / 41kg
Rectangle				
TUC22WPH??02B?	5'Lx24"W (152cm x 61cm)	29" (74cm)	60"Lx24-1/4"W (152cm x 62cm)	90 lbs / 41kg
TUC22WPI??02B?	6'Lx24"W (183cm x 61cm)	29" (74cm)	72"Lx24-1/4"W (183cm x 62cm)	100 lbs / 45kg
TUC22WPK??02B?	8'Lx24"W (244cm x 61cm)	29" (74cm)	96"Lx24-1/4"W (244cm x 62cm)	130 lbs / 59kg
TUC22WQH??02B?	5'Lx30"W (152cm x 76cm)	29" (74cm)	60"Lx24-1/4"W (152cm x 62cm)	95 lbs / 43kg
TUC22WQI??02B?	6'Lx30"W (183cm x 76cm)	29" (74cm)	72"Lx24-1/4"W (183cm x 62cm)	105 lbs / 48kg
TUC22WQK??02B?	8'Lx30"W (244cm x 76cm)	29" (74cm)	96"Lx24-1/4"W (244cm x 62cm)	135 lbs / 61kg
* Optional table connector unit to unit latches & grommets available.				

Laminate Options



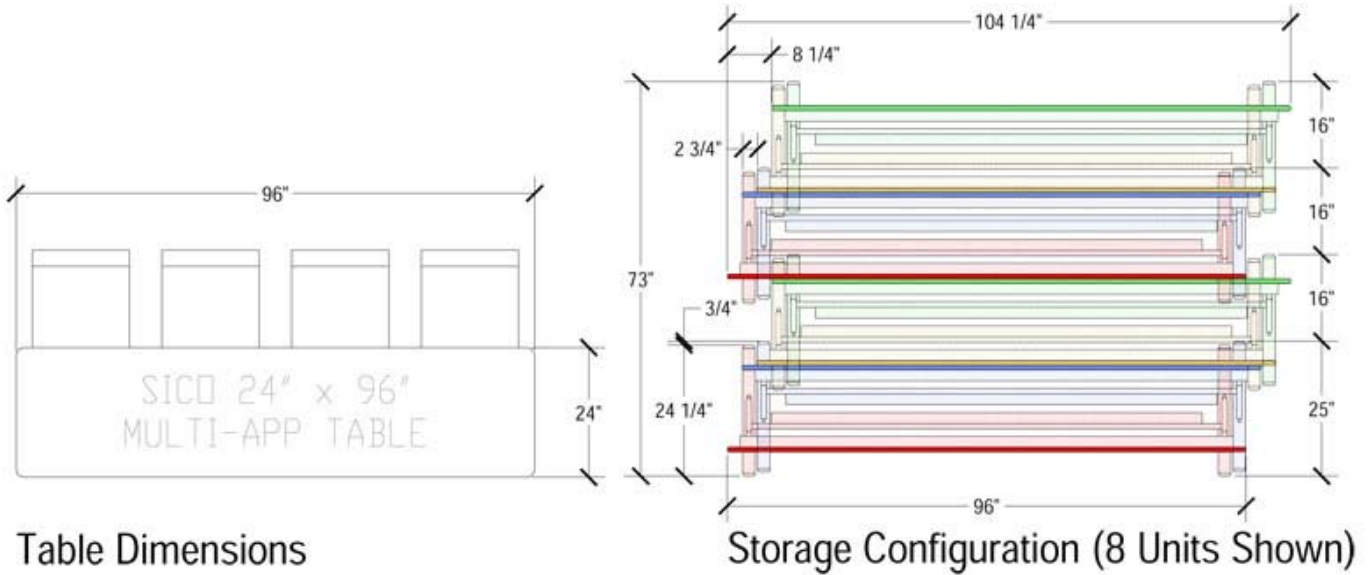
* Check with a SICO Representative for additional laminate choices available.

Table Top Armor-Edge Options



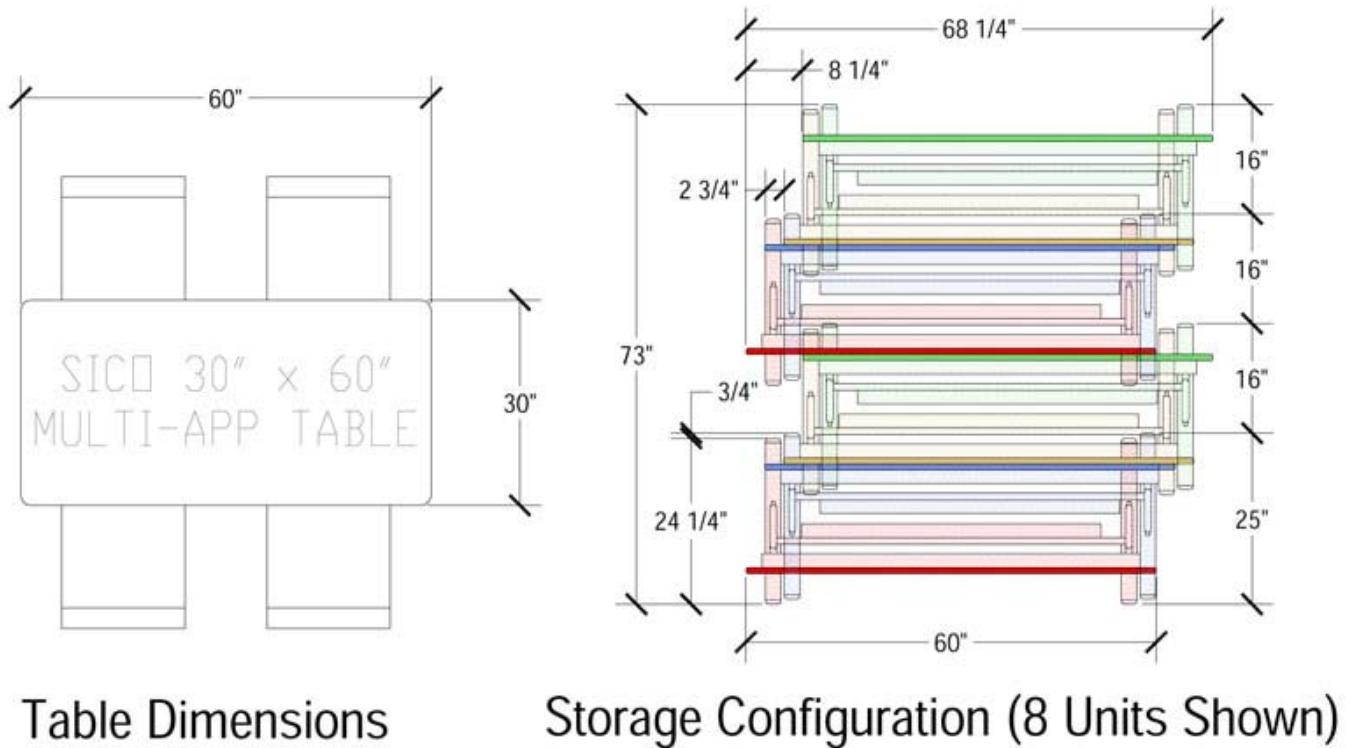
24" x 96" Rectangle Dimensions

Top Height: 29" Folded Height: 30 5/8" h



30" x 60" Rectangle Dimensions

Top Height: 29" Folded Height: 36 5/8" h



30" x 72" Rectangle Dimensions

Top Height: 29" Folded Height: 36 5/8" h

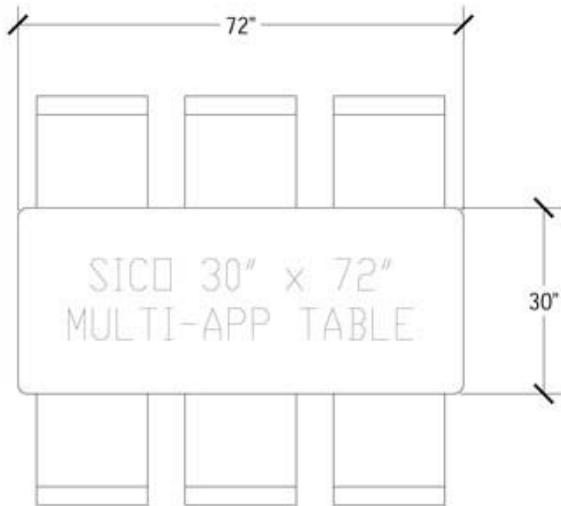
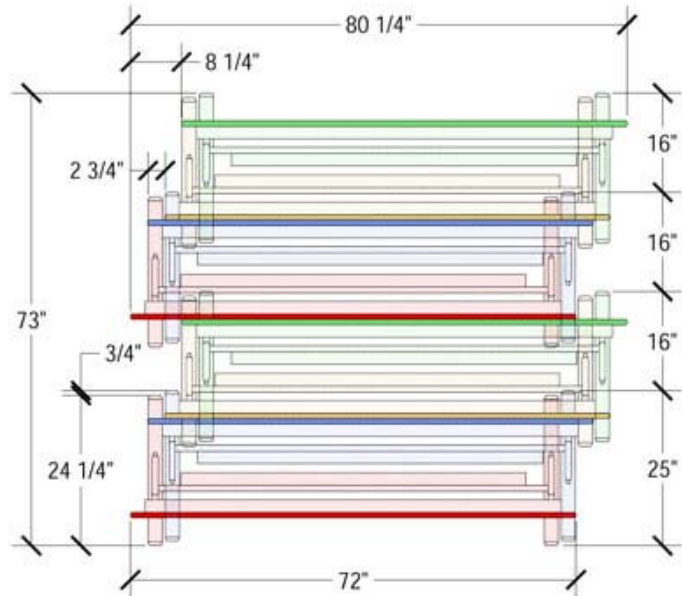


Table Dimensions



Storage Configuration (8 Units Shown)

30" x 96" Rectangle Dimensions

Top Height: 29" Folded Height: 36 5/8" h

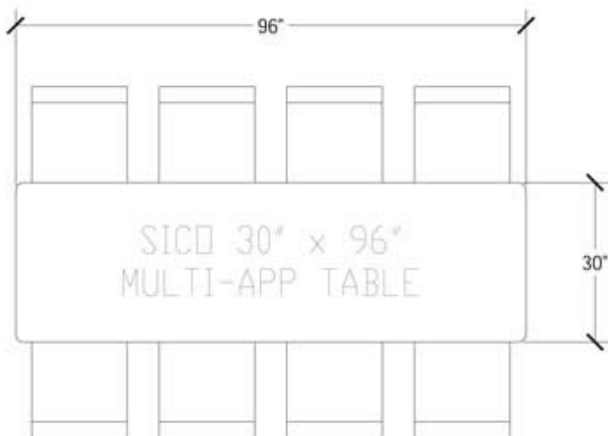
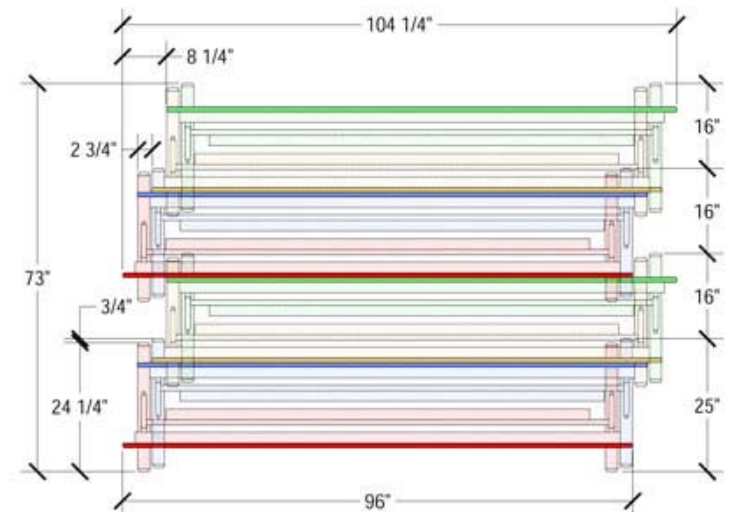


Table Dimensions



Storage Configuration (8 Units Shown)

48" Half-Round Dimensions

Top Height: 29" Folded Height: 38 1/2" h

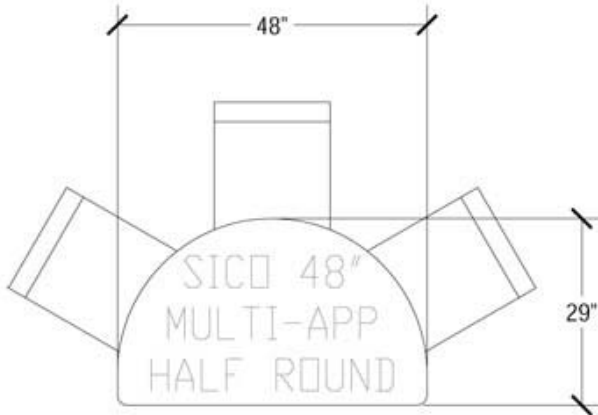
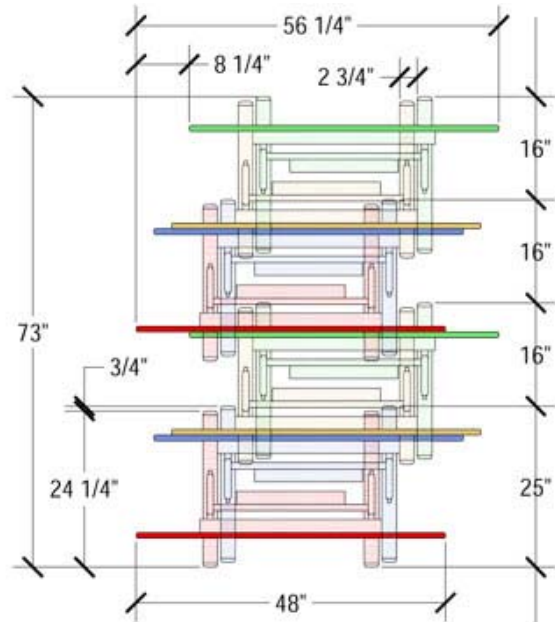


Table Dimensions



Storage Configuration (8 Units Shown)

60" Half-Round Dimensions

Top Height: 29" Folded Height: 42" h

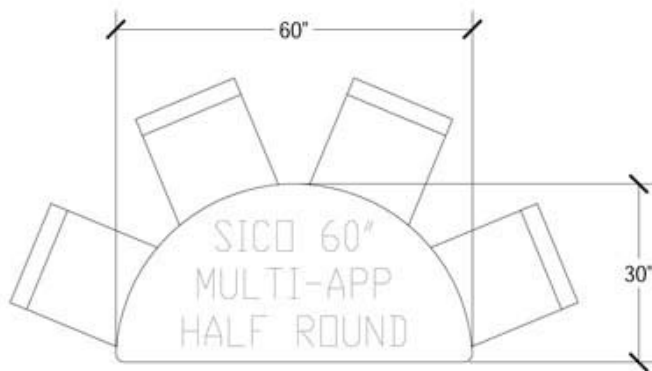
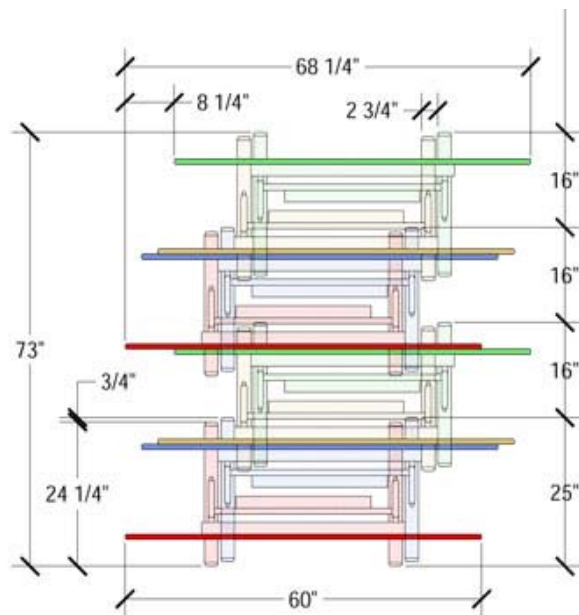


Table Dimensions



Storage Configuration (8 Units Shown)

24" Quarter-Round Dimensions

Top Height: 29" Folded Height: 38 3/4" h

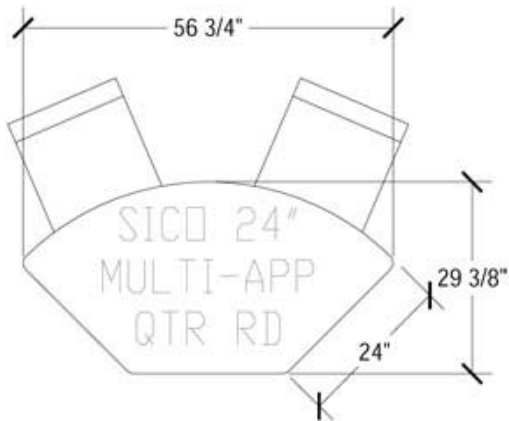
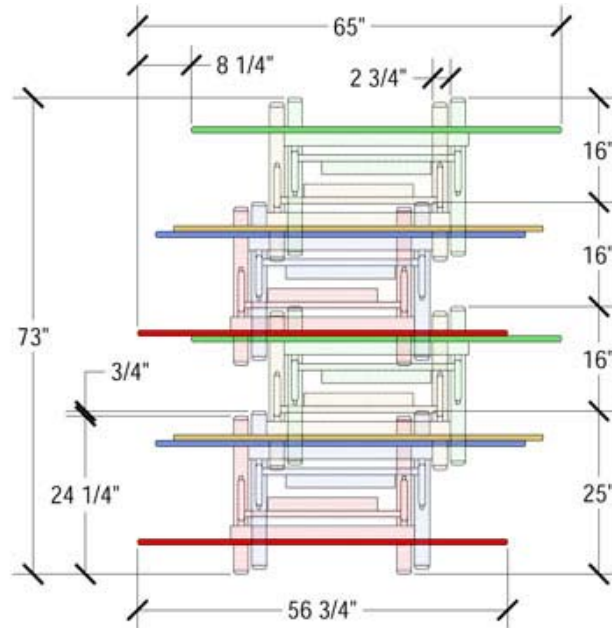


Table Dimensions



Storage Configuration (8 Units Shown)

30" Quarter-Round Dimensions

Top Height: 29" Folded Height: 42 1/4" h

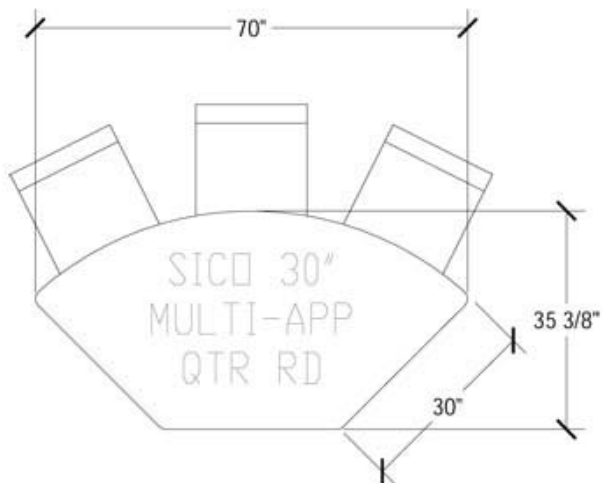
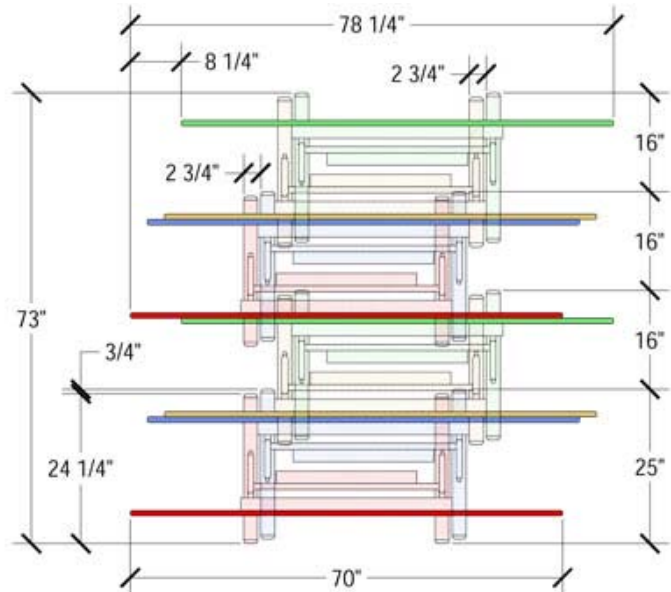


Table Dimensions



Storage Configuration (8 Units Shown)



For More Information Visit: <http://www.sicoinc.com/multiapp.php>

7525 Cahill Road, Minneapolis MN 55439

1.800.533.7426