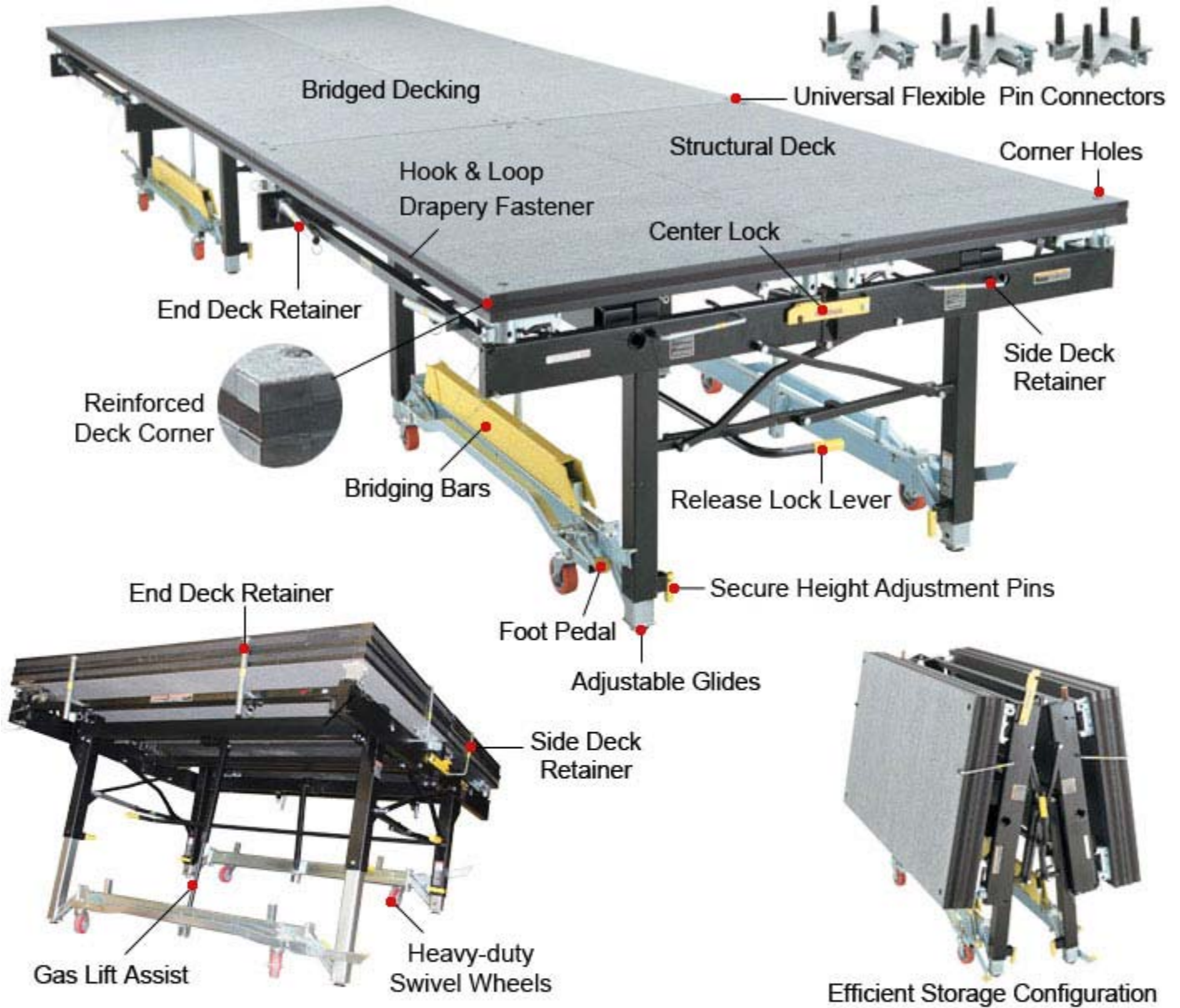


SICO® Roll N' Set Folding Leg Stage

A mobile multiple-height performance stage system for large venues.



Features, Advantages & Benefits

Structural Deck (SICO® Venue Maker) – 4'x8' deck sections provide a sturdy, solid feel for your performers.

- **Multi-Layer Deck Construction** – A cellular honeycomb core is bonded between two 3/8" (.95cm) quality plywood substrates for a lightweight, yet structurally strong and very quiet deck system.
- **Reversible Deck Surface** - Deck surfaces are available with your choice of a long wearing carpet, scratch-resistant Tuff-Deck or reversible carpet/Tuff-deck surface for flexibility in choosing the best surface for any event.
- **Bridged Decking** - Utilize **4-Way Bridging** for quick deck installation between frames. Creates large open spaces underneath that are ideal for stringing cables or stage-side storage.
- **Load Capacity** - Design live load is a uniformly distributed load of 125 lbs. per square foot (613 kg. per square meter), meeting or exceeding most building requirements.
- **Corner Holes** – Corner deck holes make it easy to visually line up the flex pins to the deck for quick set-up time.
- **Reinforced Deck Corner** – Deck corners are reinforced with solid wood blocks in addition to external protective ABS plastic corners providing tremendous protection from drops, plus long-term durability.
- **Deck Edges** – Protective impact-resistant ABS plastic edging is bonded to the understructure.
- **Hook & Loop Drapery Fasteners** – Continuous hook fastener banding placed around the perimeter edges of decking allows for quick and easy attachment of skirting without any clips or pins.

Universal Flexible Pin Connectors (A SICO® Exclusive) – Designed to move and rotate, to allow the decks to easily slide into place. Capable of 2, 3 or 4-way bridging.

- Secures decks to frame and eliminates the annoying "drumming" of decks. Connectors adjust quickly to change or add more Roll N Set stage units to existing or new setup configurations. Eliminates the need to remove decks to change out pins. No tools required. No loose parts getting lost.
- **Expanding Rubber Gasket (A SICO® Exclusive)** - A rubber bushing located at the base of each flex pin can be expanded to secure the deck tightly to the leg pin frame support. This feature reduces noise and bounce while increasing the overall stability of the system.



Serial Numbers – Attached to both deck and frame for easy identification.

Warranty – Protected by a **3-Year Warranty** against manufacturer's defects. **Lifetime Warranty** on welds.

Frame – Constructed of 1/8" (.375 cm) thick high-strength structural steel for long-lasting strength and durability. One frame supports up to 192 sq. ft. of deck.

- **Gas Lift-Assist (A SICO® Exclusive)** – Lift assembly raises, or lowers the stage height allowing two people to setup the stage with ease.
- **4 Decks Store On 1 Frame** – Decks store directly on the mobile folding frame system. Decks slide into place for quick set-up, saving time, wear and tear on your crew and your equipment.
- **Foot Pedal** – Convenient foot pedals easily raise the stage units onto rugged casters for mobility without disassembly. Painted yellow for easy identification.
- **Bridging Bars (A SICO® Exclusive)** – Allows 4-way bridging. Eliminates the need for a full frame on every other deck which saves on cost. Used only on 8' side of decks. Stores directly on the frame. Painted yellow for easy identification.
- **Release Lock Lever** – Pull lever up to lock stage unit in the folded position for transport and storage. Push lever down to lock stage system in the use position. Painted yellow for easy identification.
- **Center Lock** – Adds additional support for heavy loads on the outer edges of stage deck and secures stage in the in-use-position. Painted yellow for easy identification.
- **Adjustable Glides** – Provides leveling of the stage on uneven floors with a maximum of 1-1/2" (3.8cm) height adjustment.
- **Secure Height Adjustment Pins** – Allows adjustment of stage heights in 4" or 6" increments. Rotate yellow handle 90 degrees to disengage lock pin from leg support to adjust heights. Release handle to lock stage into desired height. Pin Painted yellow for easy identification.
- **Heavy-duty Swivel Wheels** – Non-marring rugged wheels roll easily and protect floors. Wheels provide mobility even when stage is already set-up. No disassembly required. Just engage foot pedal which lifts stage onto casters, and relocate stage setup to a new location.
- **Side/End Deck Retainers** – Allows for "piggybacking," and holds bridge decks in place while in mobile transport configuration.

Fast Set-Up Time – An experienced crew of 4 can set a 40' x 64' (12.2m x 19.5m) stage in less than 30 minutes, (60 minutes with accessories package) saving labor costs. The Roll N' Set stage can be cleared in even less time.

Efficient Storage Configuration – Quickly fold, roll, and store stage units for compact storage without any need for deck pallets or storage caddies, saving money and storage space.

Stage Accessories – SICO® provides all necessary accessories to complete your professional stage setup. Refer to our literature containing our complete line of stage accessories.

Specifications

Model No.	Structural Reversible Venue Maker Decks	Weight
SPD34122401	4'x8' Scratch Resistant Tuff-Deck & Carpet Surface on Either Sides of Structural Decking.	133 Lbs.
SPD34401401	4'x8' Scratch Resistant Tuff-Deck Surface on Both Sides of Structural Decking.	133 Lbs.

Model No.	Roll N' Set Stage System Frames (Each Roll N' Set stage frame is an 8' x 8' (244cm x 244cm) 4-way bridging system and holds 4 decks for storage.)	Weight
32" to 48" (80cm to 120cm) Height Roll N' Set Systems		
SRS418EB	Black, H.D. Gas Spring, (4" Increments)	760 Lbs.
36" to 54" (90cm to 135cm) Height Roll N' Set Systems		
SRS418CB	Black, H.D. Gas Spring, (6" Increments)	760 Lbs.
42" to 60" (105cm to 150cm) Height Roll N' Set Systems		
SRS418BB	Black, H.D. Gas Spring, (6" Increments)	760 Lbs.
48" to 72" (120cm to 180cm) Height Roll N' Set Systems		
SRS418AB	Black, H.D. Gas Spring, (4" Increments)	760 Lbs.

Model No.	Roll N' Set Stage Components
UNIVERSAL PIN CONNECTORS	
SPC311Z	Universal Pin Connector Kit (Required with each frame unit) (4) 4-Pin, (2) 2-Pin
SPC312Z	2 Pin Universal Pin Conn. RH Spring Loaded
SPC313Z	2 Pin Universal Pin Conn. LH Spring Loaded
SPC314Z	4 Pin Universal Pin Conn. Spring Loaded
114619Y	Unit-to-Unit Connector
113164Y	Bridge Bar

Personalization Options

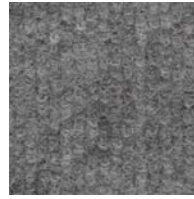
Stage Deck Surface Options



Cayenne (48)



Charcoal (24)



Cloud-Gray (22)



Fern Bank (47)



Light Buff (25)



Metallic Blue (43)



Onyx (23)



Roasted Almond (46)



Black Tuff-Deck (01)

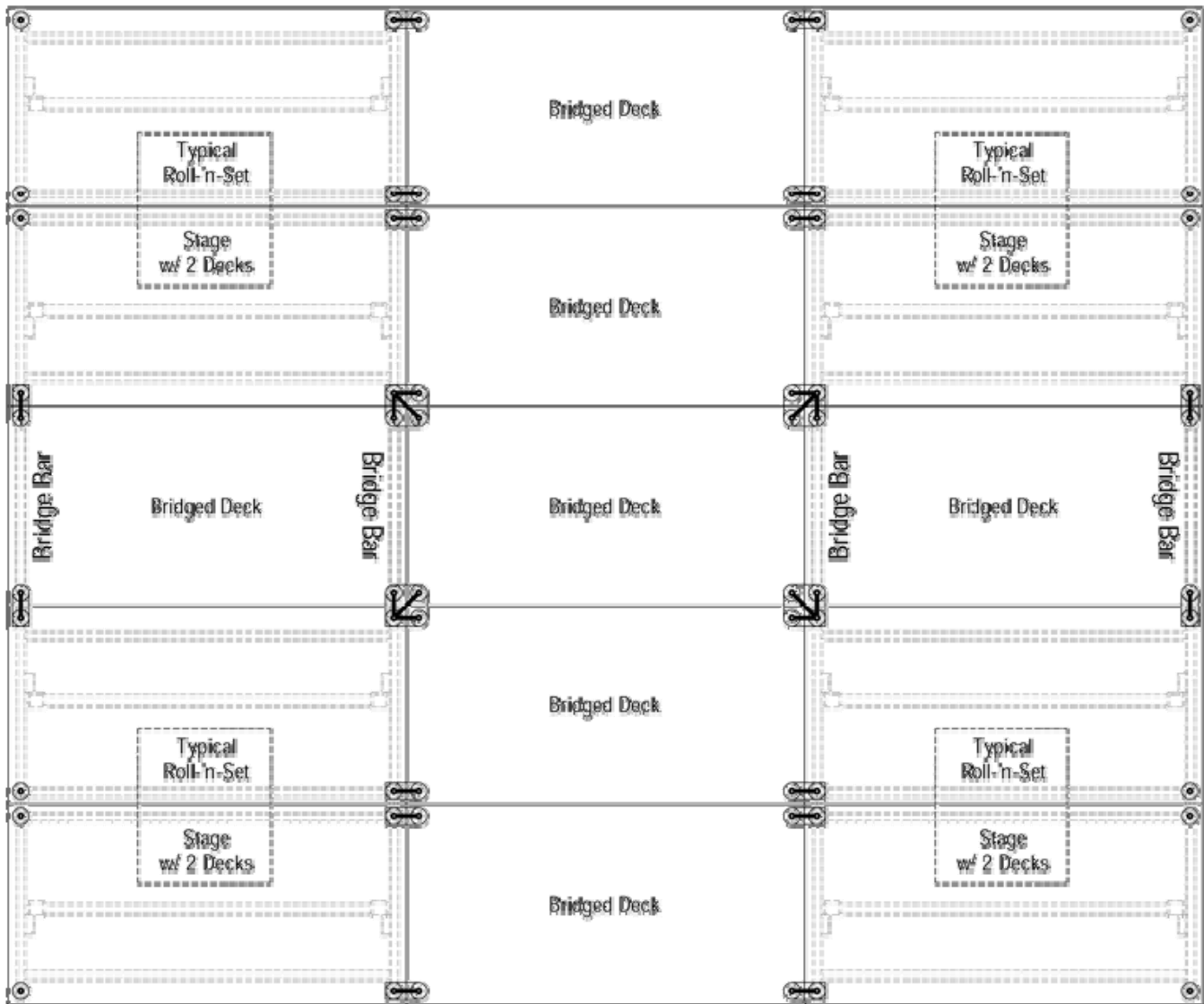
Durable Tuff-Cord Needlebond Carpet Fabrics and non-carpeted durable scratch resistant black Tuff-Deck surface options available. Choose from carpet on one side, hard tuff-deck surface on reverse side or Tuff-Deck surface on both sides.



For More Information Visit: <http://www.sicoinc.com/rns.php>

7525 Cahill Road, Minneapolis MN 55439
1.800.533.7426

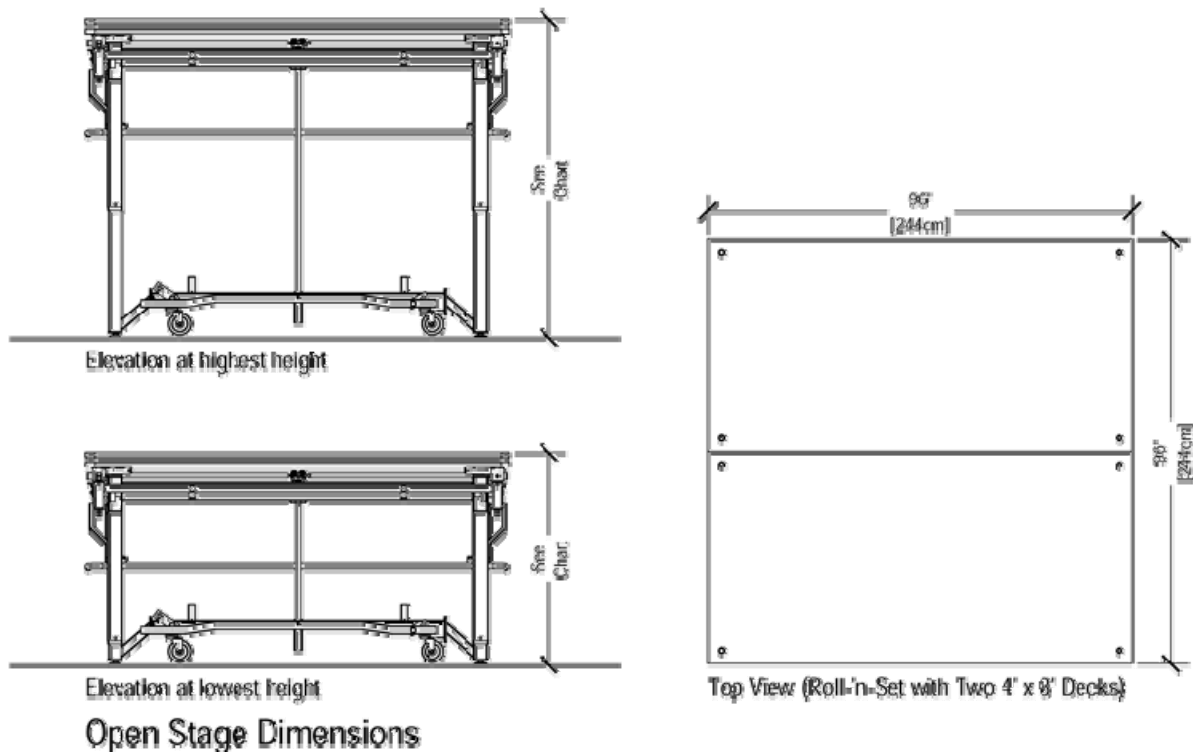
Typical Bridging Configuration



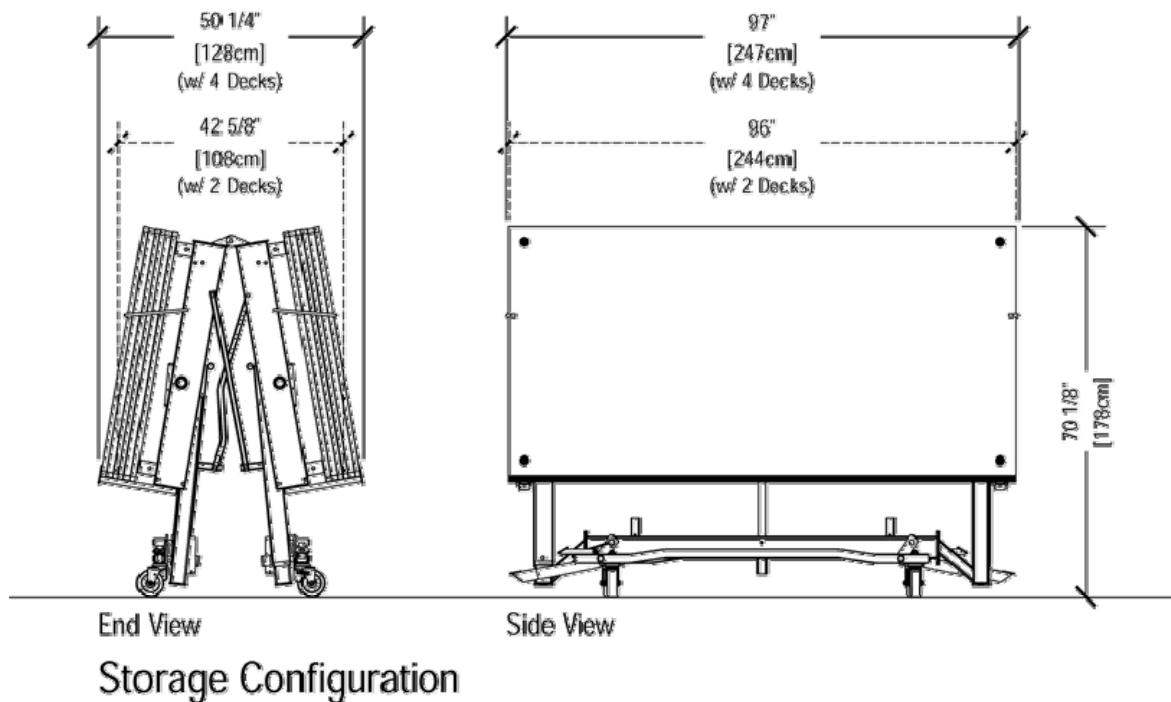
- (1) Roll N' Set directly supports (2) decks and can bridge adjacent decks in all directions. Side to side (8' side of deck) bridging requires (2) "Bridge Bars". End to end (4' end of deck) bridging requires no additional equipment. Decks are 4'x8' (122cm x 244cm)

Dimensional Drawings

Roll N Set – (Multi-Height)



Roll N Set



For More Information Visit: <http://www.sicoinc.com/rns.php>

7525 Cahill Road, Minneapolis MN 55439
1.800.533.7426