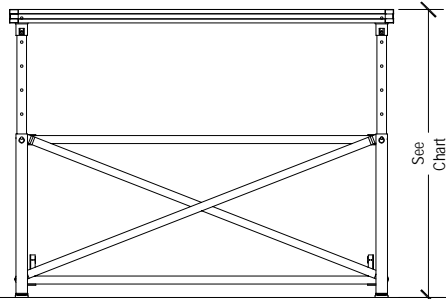
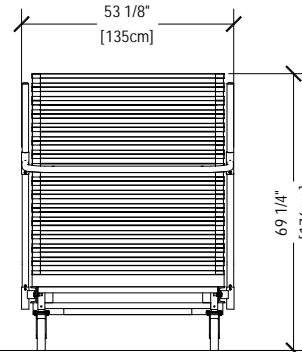


Top View (Fold-'n-Set with One 4' x 8' Deck)

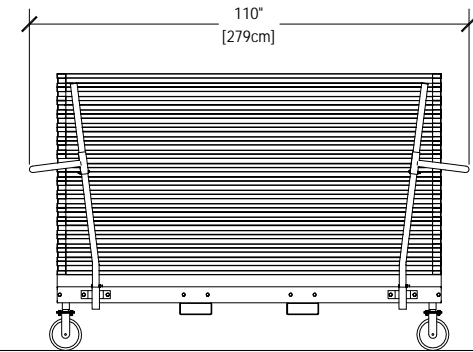
Fold-'n-Set Stage Heights		
Height Range		Height Increments
8"	20cm	Single Height
16"	41cm	Single Height
24"	61cm	Single Height
16" to 24"	41cm to 61cm	4" / 10cm
24" to 32"	61cm to 81cm	4" / 10cm
32" to 48"	81cm to 122cm	4" / 10cm
48" to 76"	122cm to 193cm	4" / 10cm
36" to 54"	91cm to 137cm	6" / 15cm
42" to 60"	107cm to 152cm	6" / 15cm
48" to 72"	122cm to 183cm	6" / 15cm



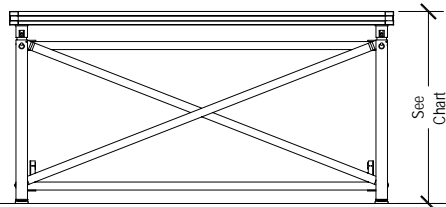
Elevation at highest height



End View Deck Caddy

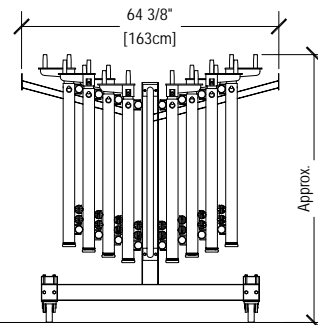


Side View Deck Caddy (Holds up to 15 Venue Maker Decks)

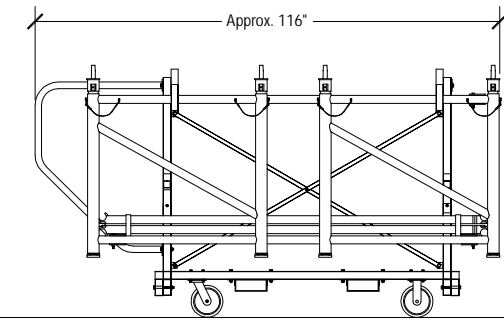


Elevation at lowest height

Open Stage Dimensions



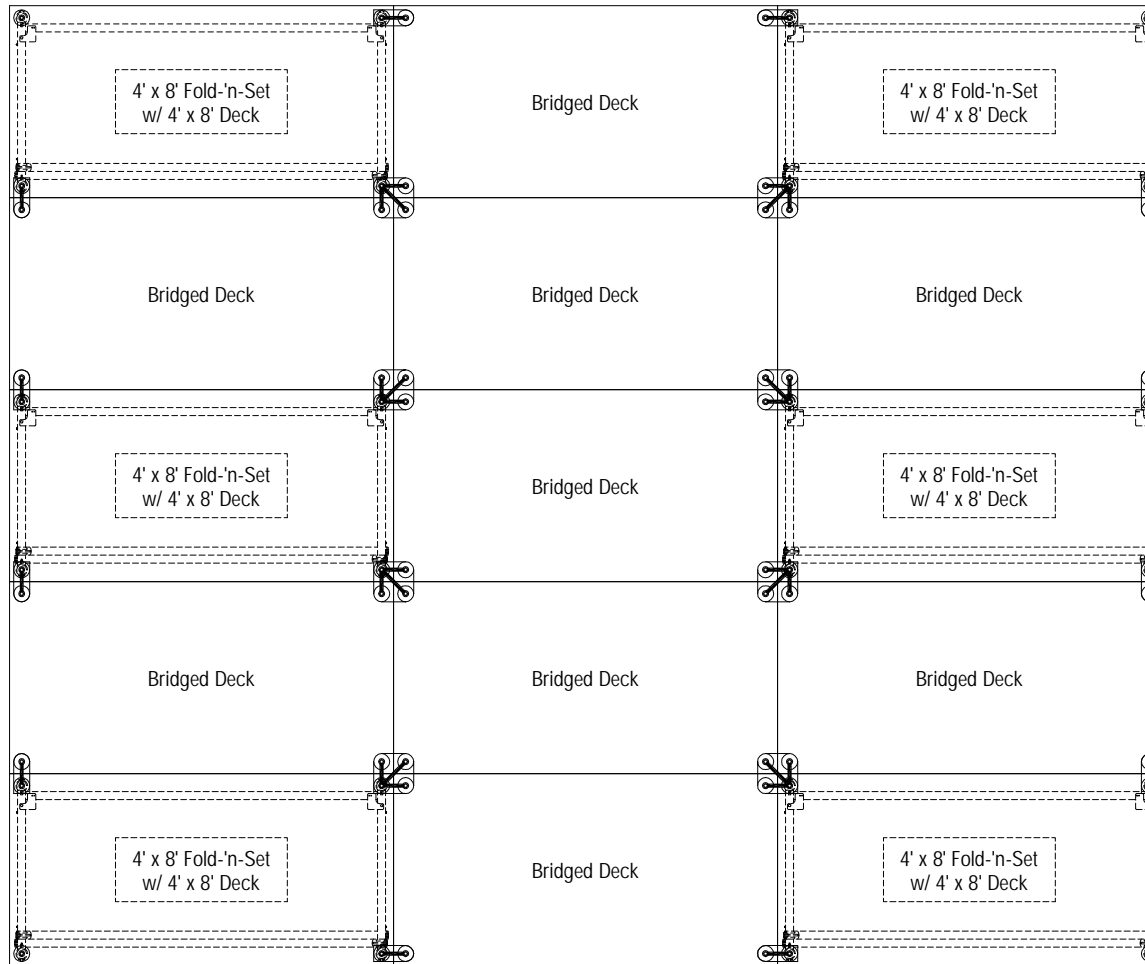
End View Frame Caddy



Side View Frame Caddy (Holds up to 8 Fold-'n-Set Frames)

Storage Configuration

SICO Fold-'n-Set Stage Dimensions



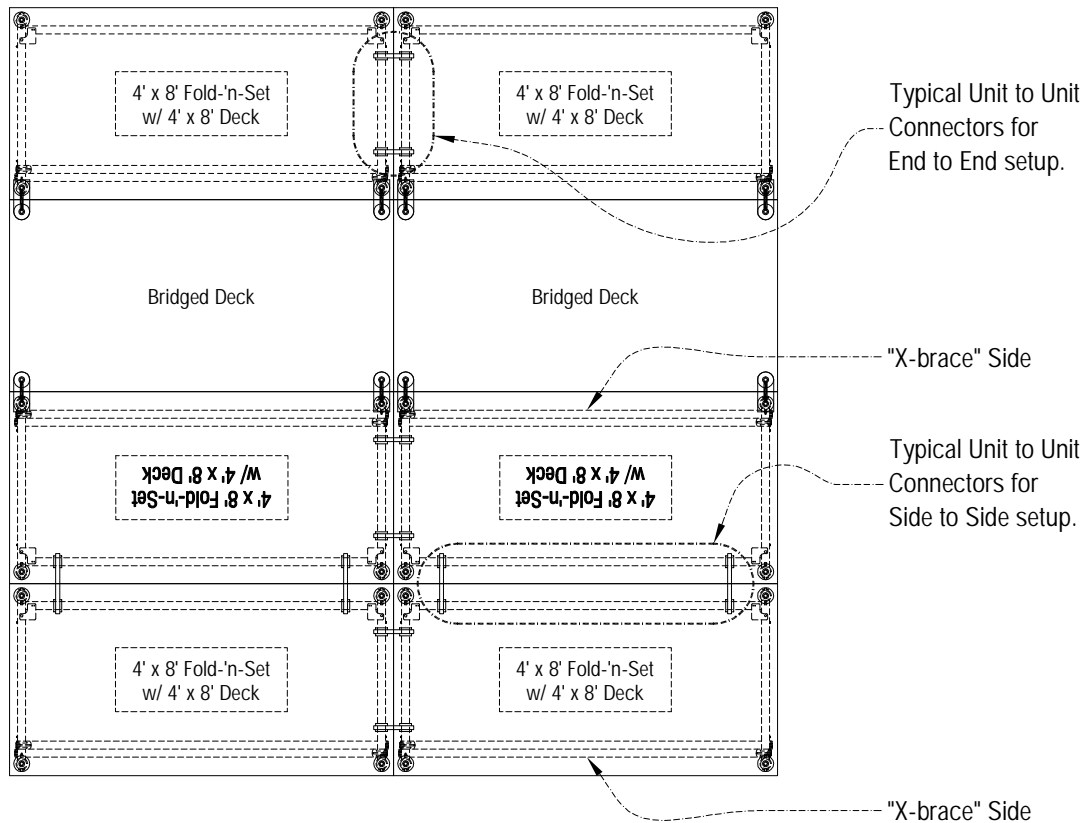
SICO Fold-'n-Set Stages - Typical Bridging Configuration

One Fold-'n-Set directly supports one deck and can support adjacent decks on all sides by bridging.

Bridged decks must be supported by Fold-'n-Set supports on all corners as shown above.

Fold-'n-Set bridging does not require any additional equipment.

Decks are 4' x 8' (122 cm x 244 cm)



SICO Fold-'n-Set Stages - Non-Bridging Configuration

When not bridging, Fold-'n-Set supports must be linked with 2 "Unit to Unit Connectors."

Use "Side to Side" connectors at long sides, "End to End" on short sides. Long sides of supports must be adjacent for side to side bridging. Decks are 4' x 8' (122 cm x 244 cm)