

# SICO® Sophisticate Plus

Style, mobility, and durability with induction cooking or warming in one upscale table.



## Features, Advantages & Benefits

**Induction Units with Advanced Electronic Temperature Controls** - These warming and cooking units are more energy efficient, cleaner, and cost effective than gas or electric units. Controls are streamlined, attractive and easy-to-use.

### NSF Certified Natural Stone Composite Top

- Completely sealed top surface is durable and easy-to-clean.
- Superior scratch and stain resistant. Cut directly on the table surface.
- Set hot items up to 500° directly on the NSF certified surface material without scalding.
- Exquisite top color choices. An elegant and refined high-end table.
- Durable .25" (.6cm) natural stone composite top made of 95% natural stone and 5% Polymer formed over .75" (2cm) MDF.
- SICO® **Armor-Edge®** option available for superior edge protection.

**Folding Table Top** - Top folds & nests for efficient storage using up less facility space when not in use. Tabletop remains in the use position until over-center lock is released for folding into storage configuration.

**Table Frame** – Strong 16 gauge tubular frame support provides durability and strength to table.

- **Oval Tubular Understructure** – Adds style and strength to the table.
- **Double Cross Member Construction** - Adds twice the strength & longevity.

**Powder-coat Finish** - Durable understructure with choice of elegant baked-on surface powder-coat colors.

**Pneumatic Dampers** - Makes folding the tabletop quick and easy.

**Mobile Dual-wheel Casters** - Easily roll table into and out of service for any function. Non-marring, 4" (10cm) caster wheels protect floors.

**Free Space Analysis** - Take advantage of the free space analysis drawings which will provide you with the appropriate number of tables and table accessories.

**Warranty** – Protected by a **3-Year Warranty** against manufacturer's defects. **Lifetime Warranty** on welds. Induction units protected by a **1-Year Warranty**.

## Specifications

Model No.	Description	Weights
RBF21NPG??C??B	1 or 2 Induction Cooking Unit(s) with Natural Stone Top - 32" (82cm) W x 72" (183cm) L x 36" (91cm) H	255 lbs. (116cm) [1 unit] 265 lbs. (120cm) [2 units]
RBF21NPG??02C??B	1 or 2 Induction Cooking Unit(s) with Armor-Edge 32" (82cm) W x 72" (183cm) L x 36" (91cm) H	255 lbs. (116cm) [1 unit] 265 lbs. (120cm) [2 units]
RBF21NPG??W??B	1, 2 or 3 Induction Warming Unit(s) with Natural Stone Top - 32" (82cm) W x 72" (183cm) L x 36" (91cm) H	255 lbs. (116cm) [1 unit] 265 lbs. (120cm) [2 units] 275 lbs. (125cm) [3 units]
RBF21NPG??W??B	1, 2 or 3 Induction Warming Unit(s) with Armor-Edge 32" (82cm) W x 72" (183cm) L x 36" (91cm) H	255 lbs. (116cm) [1 unit] 265 lbs. (120cm) [2 units] 275 lbs. (125cm) [3 units]

## Units Configured With

SICO offers FIVE standard choices.  
Each tabletop may be equipped with 1 or 2 induction cooking units or 1,2 or 3 induction warming units.  
For any other configuration please consult a SICO sales representative at 1.800.328.6138.

### Induction Warming Unit

#### Warming Temperature Ranges:

130°F / 54°C  
140°F / 60°C  
160°F / 71°C  
175°F / 79°C  
200°F / 93°C

#### Domestic 120VAC Power Requirements

- Load Per Unit: (400 watts) - 4 Amps.
- (1) 15 Amp surge protector with single US 15A power cord.

#### Domestic 240VAC Power Requirements

- Load Per Unit: (400 watts) - 2 Amps.
- (1) 15 Amp surge protector with single US 240V power cord.

### Induction Cooking Unit

#### Cooking Temperature Ranges:

95°F / 35°C  
125°F / 52°C  
175°F / 79°C  
250°F / 121°C  
300°F / 148°C  
350°F / 177°C  
400°F / 204°C  
450°F / 232°C

#### Domestic 120VAC Power Requirements

- Load Per Unit: (1800 watts) - 15 Amps.
- (1) 15 Amp power cords requiring dedicated circuit per each induction unit.

#### Domestic 240VAC Power Requirements

- Load Per Unit: (1800 watts) - 7.5 Amps.
- (1) 15 Amp surge protector with single US 240V power cord.

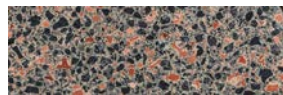
## Natural Stone Composite Table Top Options



Nero Galaxy (60)



Karra Oro (62)

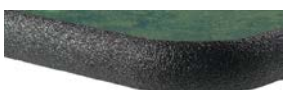


St. Leo's Copper (68)



Bianco Modena (67)

## Armor-Edge Table Top Edge Options



Black (02)



Gray (03)



Burgundy (04)



Blue (05)



Brown (06)

## Table Leg & Frame Options



Black (B)



Copper Vein (R)



Silver Vein (L)

## Induction Unit Placement Configuration Options



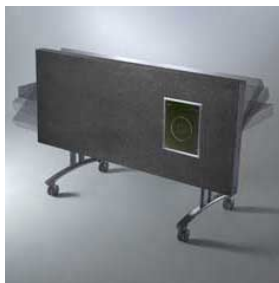
1 Unit Left Side

(Cooking & Warming)



1 Unit Centered

(Cooking & Warming)



1 Unit Right Side

(Cooking & Warming)



2 Units Offset

(Cooking & Warming)



3 Units

(Warming Only)

## Dimensions

**Top Height: 36" Folded Height: 47" Table Top Size: 32x72"**

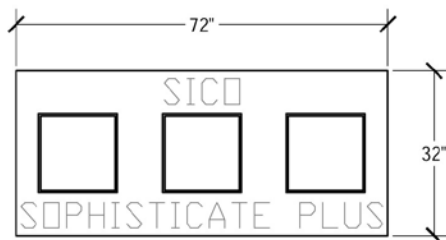
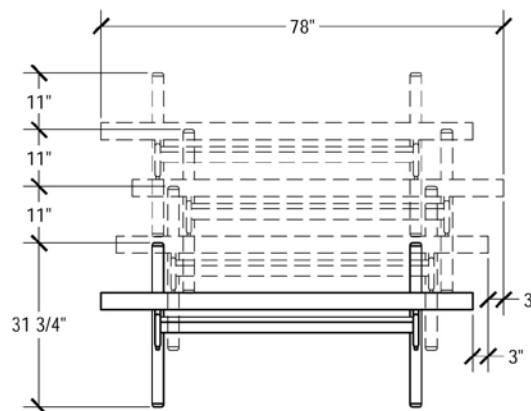


Table Dimensions



Storage Configuration



For More Information Visit: <http://www.sicoinc.com/sophisticateplus.php>  
7525 Cahill Road, Minneapolis MN 55439  
1.800.533.7426