

SICO[®] Tri-Height Mobile Folding Stage System

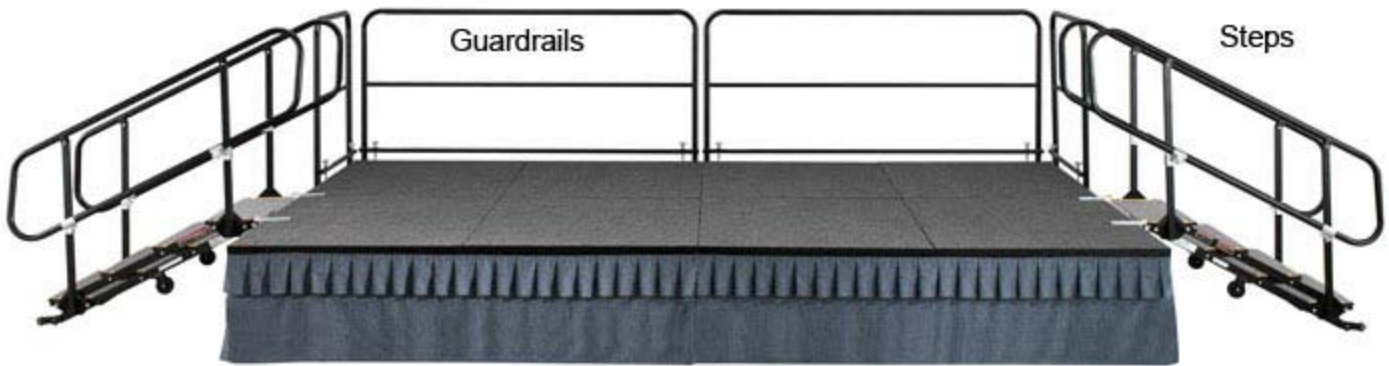
A dual or triple height adjustable stage with reversible deck.



Rigid One-Piece Unitized 14 Gauge Steel Frame



Unit-to-unit Tiered Riser Connection



Guardrails

Steps

Drapes

Features, Advantages & Benefits

Structural Deck – Constructed of two 3/8" thick plywood outer layers, bonded to a honeycomb core, with a solid lumber perimeter. Decks nest firmly within the structural frame. Deck is light-weight, very strong and quiet, with strength to support 125lbs. per square foot (610 Kg./Sq. Meter)

- **Reversible Deck** - Available in 6'x8' or 4'x8' sections with black Tuff-Deck surface on one side and your choice of carpet color on the other.
- **Hook & Loop Drapery Fasteners** – Continuous hook fastener banding placed around the perimeter edges of decking allows for quick and easy attachment of skirting without any clips or pins.

Spring Assist – Pop-up tension springs attached to opposite corners of the frame elevate the deck for easy reversibility. Removal of the 4-bolt assembly makes it easy to flip decks using only a conventional allen-wrench.

Unitized Steel Frame – Constructed with a rigid, one-piece arc-welded unitized steel frame for long-lasting strength and durability. Deck is securely anchored to frame with bolts for ultimate structural stability.

Load-bearing Stage Legs – Wheels rotate from the folded storage position into the open position onto 8 solid points of contact for a solid feeling, stable and strong set-up. Square legs are extremely durable providing a long-lasting leg system unlike some pipe-within-pipe systems.

- **Adjustable Leg Height Mechanism** – Sets the height of the stage to desired height in 6" (15cm) or 8" (20cm) height increments. Pin is permanently attached. Adjusts in just seconds. Painted yellow for easy identification as an operational part.

1. 12"/18" (31/46 cm)
2. 16"/24" (40/61 cm)
3. 24"/32" (61/81 cm)
4. 18"/24"/30" (46/61/76 cm)
5. 24"/30"/36" (61/76/91 cm)
6. 30"/36"/42" (76/91/107 cm)

- **Glides** – Durable non-marring nylon glides protect floors.

Compact Self-storing Mobile Unit – Stage deck and legs of unit fold up compactly for storage. Designed to be a self-contained mobile unit for efficient single-person set-up and easy storage, resulting in considerable savings in labor and time. No need for additional transport carts or heavy-lifting and carrying of individual sections.

- **Over-Center Locking Mechanism** – When legs are folded, the alignment of pivot points create just the right amount of tension to securely hold frame in folded position for storage and transport.



- **Heavy-Duty Wheels** – Non-marring 5" (13cm) rubber wheels protect floors, and are designed for long life.

Unit-to-unit Connectors – Attach additional stage units together.

- **Non-Tiered Riser Connector** – Permanently attached yellow connector holds additional stage units securely together when at the same heights. No cords, Velcro, or tape are necessary.
- **Tiered Riser Connector** – Built-in black connectors secure additional stages together when units are at different heights. Stage decks slightly overlap in this set-up to eliminate the possibility of chair legs sliding through. No additional chair stop is required.

Serial Numbers – Attached to frame for easy identification.

Stage Accessories – SICO® provides all necessary accessories to complete your professional stage setup. Refer to our literature containing our complete line of stage accessories.

Warranty – Protected by a **3-Year Warranty** against manufacturer's defects. **Lifetime Warranty** on welds.

Specifications

Model No.	Height Adjustments	Folded Storage Dimensions	Weight
4'x8' Tri-Height Stage Decks (1219 mm x 2438 mm)			
S3H314C??41B	12"/18" (31/46 cm)	48" (122cm) L x 27.25" (69cm) W x 49.5" (136cm) H	280 lbs. (127 kg.)
S3H314D??41B	16"/24" (40/61 cm)	72" (183cm) L x 26" (65cm) W x 53.5" (136cm) H	336 lbs. (151 kg.)
S3H314H??41B	24"/32" (61/81cm)	72" (183cm) L x 30" (75cm) W x 61.5" (156cm) H	336 lbs. (151 kg.)
S3H314E??41B	18"/24"/30" (46/61/76 cm)	48" (122cm) L x 26" (65cm) W x 55.5" (141cm) H	324 lbs. (147 kg.)
S3H314F??41B	24"/30"/36" (61/76/91 cm)	48" (122cm) L x 30" (75cm) W x 61.5" (156cm) H	365 lbs. (166 kg.)
S3H314G??41B	30"/36"/42" (76/91/107 cm)	48" (122cm) L x 30" (75cm) W x 67.5" (171cm) H	384 lbs. (174 kg.)
6'x8' Tri-Height Stage Decks (1828 mm x 2438 mm)			
S3H316C??41B	12"/18" (31/46 cm)	72" (183cm) L x 27.25" (69cm) W x 49.5" (136cm) H	375 lbs. (170 kg.)
S3H316D??41B	16"/24" (40/61 cm)	72" (183cm) L x 26" (65cm) W x 53.5" (136cm) H	400 lbs. (151 kg.)
S3H316H??41B	24"/32" (61/81cm)	72" (183cm) L x 30" (75cm) W x 61.5" (156cm) H	400 lbs. (151 kg.)
S3H316E??41B	18"/24"/30" (46/61/76 cm)	72" (183cm) L x 26" (67cm) W x 55.5" (141cm) H	404 lbs. (182 kg.)
S3H316F??41B	24"/30"/36" (61/76/91 cm)	72" (183cm) L x 30" (75cm) W x 61.5" (156cm) H	428 lbs. (194 kg.)
S3H316G??41B	30"/36"/42" (76/91/107 cm)	72" (183cm) L x 30" (75cm) W x 67.5" (171cm) H	439 lbs. (199 kg.)

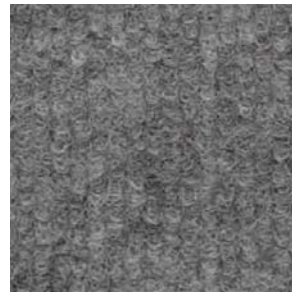
Stage Deck Surface Options



Cayenne (48)



Charcoal (24)



Cloud-Gray (22)



Fern Bank (47)



Light Buff (25)



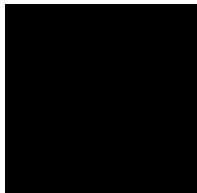
Metallic Blue (43)



Onyx (23)



Roasted Almond (46)

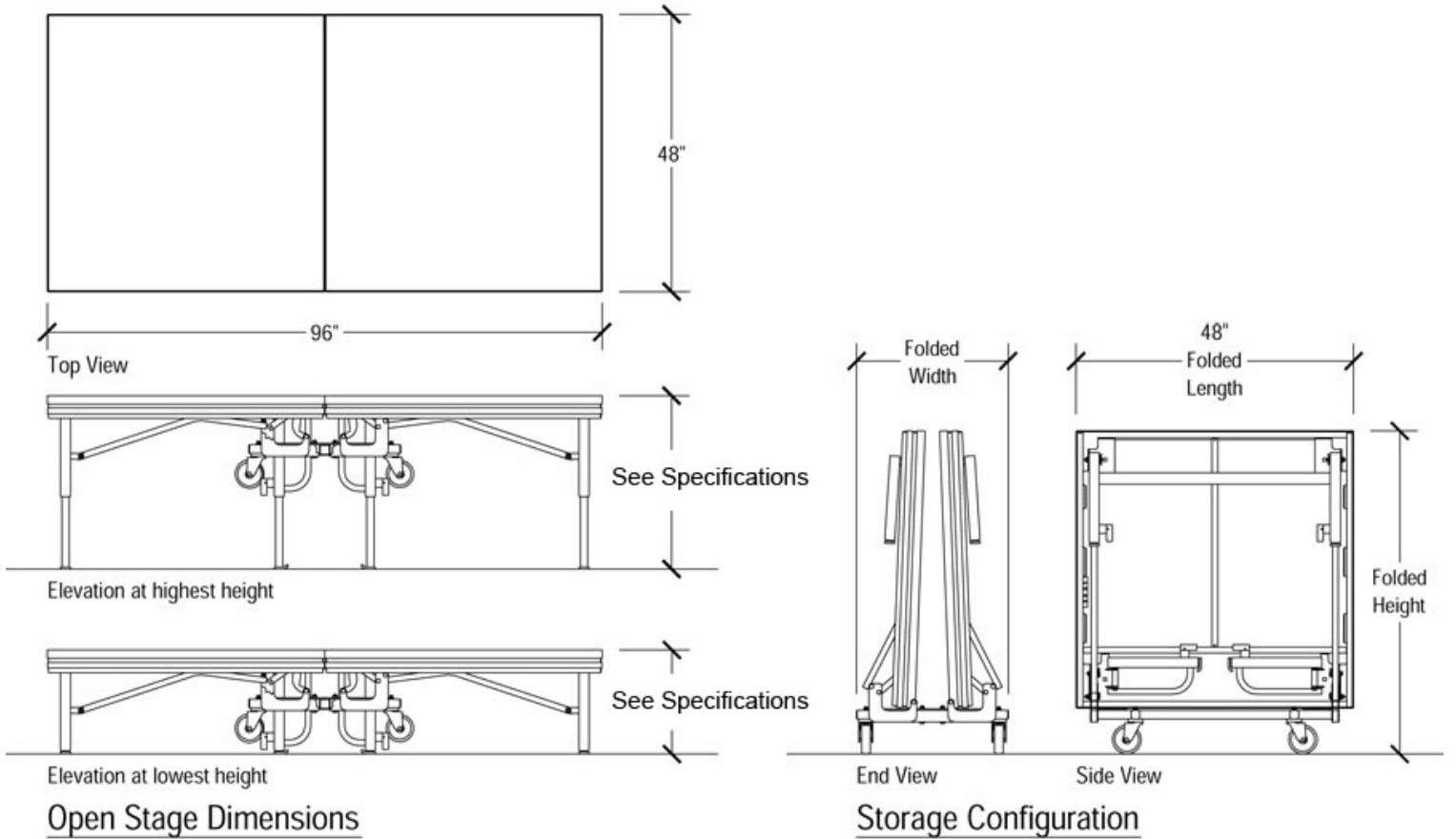


Black Tuff-Deck (41)

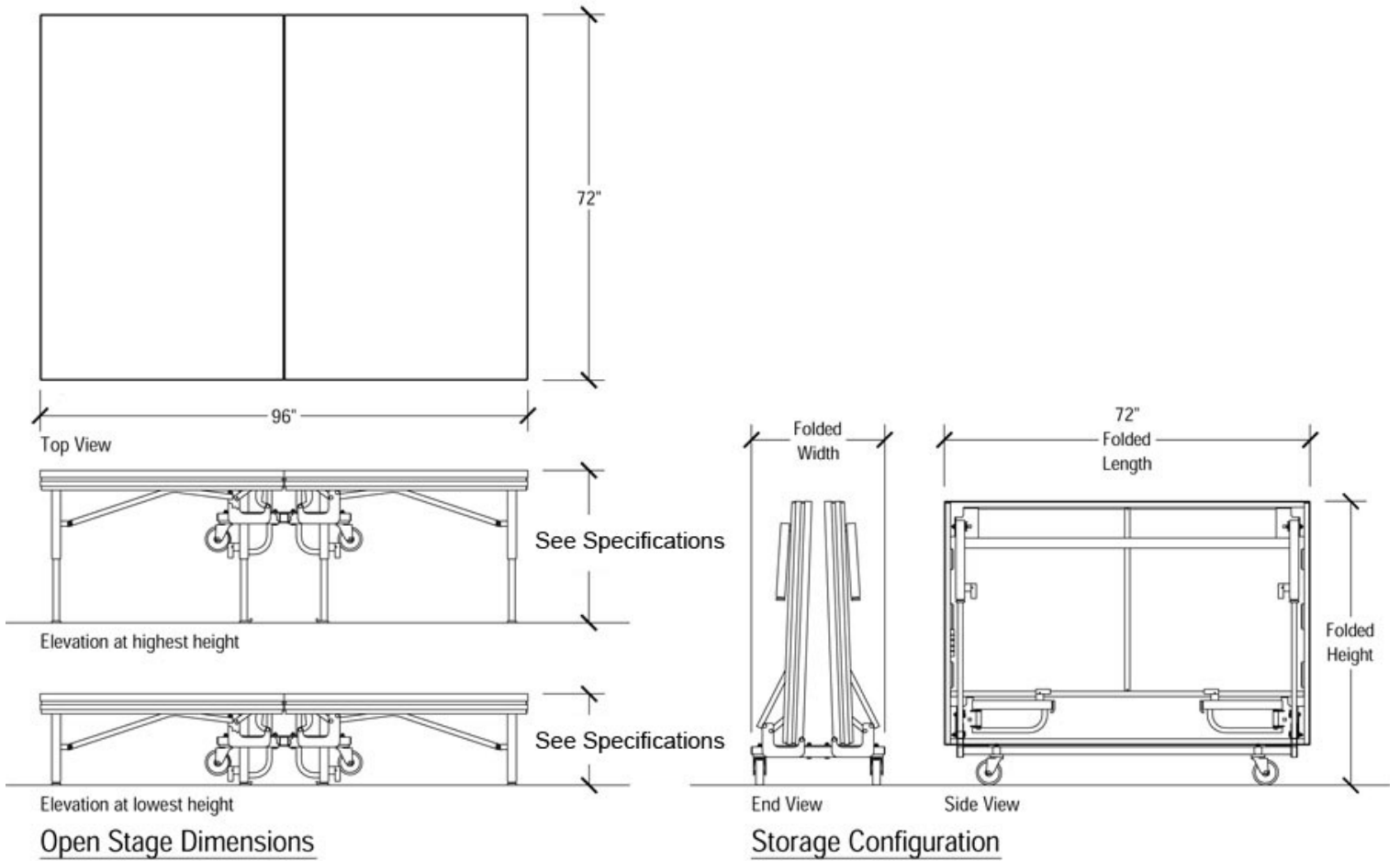
Durable Tuff-Cord Needle bond Carpet Fabrics and non-carpeted durable scratch resistant black Tuff-Deck surface options available. Choose from carpet on one side, hard Tuff-Deck surface on reverse side or Tuff-Deck surface on both sides.

Dimensional Drawings

Tri-Height Series 4' x 8' (122cm x 244cm) Stages – (Multi-Height)



Tri-Height Series 6' x 8' (183cm x 244cm) Stages – (Multi-Height)



For More Information Visit: <http://www.sicoinc.com/triheight.php>
7525 Cahill Road, Minneapolis MN 55439
1.800.533.7426