

SICO[®] Folding Leg Stage & Riser System

A portable indoor/outdoor variable terrain stage system for large venues or tiered riser system for chairs.



Features, Advantages & Benefits

Deck

Constructed from 5/8" Group 1 plywood, C-C plugged and sanded.

- **Surface Options** – Three optional deck surfaces are bonded with an exterior grade adhesive.
 - **Tuff-Deck Surface Option** – An extremely tough and durable skid-resistant surface.
 - **Carpet Surface Option** – A long-wearing carpeted surface. Choice of striking colors.
 - **Fiberglass Surface Option** – An outdoor deck solution.
- **Unitized Steel Frame** – Welded solid steel construction for rigid strength and a quiet frame during performances. Black powder-coated for indoor use. Zinc plated for outdoor use. Deck attaches to frame with expansion rivets adding strength, stability and a long service life to the unit.
- **Leg Sockets** – Corners of understructure frame contain sockets to accept fixed height insertable legs.
- **Deck Edge** – Top and side edges of deck are protected with black vinyl coated 18-gauge steel. Edges securely fasten to steel frame with tamper proof expansion rivets. No screws to work loose.
 - **Deck Tray** – Edge of frame contains a channel tray designed to support adjacent bridge decks.
 - **Velcro** – Continuous Velcro along all sides of deck edge allows for quick drapery attachment around stage.
- **Unit-to-unit Roto-Locks** – Built-in Roto-Locks quickly engage a secure lock between adjacent deck units in the proper alignment for a complete and solid stage system. Operates quickly with a simple turn of the wrist with the provided T-Allen wrench. 2,000 lbs. pull-load.
- **Bridge Units** – 2-Way bridging of adjacent units is designed to speed up set-up time, reduces cost and save storage space. Slide in channels built into the frame for unit-to-unit connection. Bridge deck is supported by trays on master frame.
- **Master Units** – Decks equipped with leg frame system.
- **Load Capacity** - Design live load is a uniformly distributed load of 125 lbs. per square foot (610 kg. per square meter), which meets or exceeds most building requirements.
- **Serial Numbers** – Attached to frame for easy identification.



Leg Supports

Three leg support options that maximize your indoor/outdoor variable terrain stage needs.

- **Folding Leg Supports** – VT-Leg & H-Leg supports quickly fold compactly within the dimensions of the stage frame for easy handling and compact storage of unit. Leg supports are firmly anchored into the steel frame and not into the deck for a solid performing platform that provides maximum strength and longevity.
- **Lock Pins** – Lock pins, used on H-Leg & VT-Legs, are self-contained spring loaded lever-pin-locks that adjust leg heights without having to deal with pins or cables. Simply pull yellow handles, marked for easy identification, to adjust the height.
- **Adjustable Glides** – All legs have adjustable leveling glides for fine height adjustments up to 5" for uneven ground. Non-marring glide surface protects your floors.

1) H-Legs – Set up fast. Work with 3'x8' (92cm x 244cm) and 4'x8' (122cm x 244cm) decks.

- **Fixed Height H-Legs** H-Legs less than, or equal to 24" are fixed height. Available in, but not limited to 6", 8", 16", or 24" heights.
- Common **Adjustable Height H-Legs** are available in 24"-32", 32"-48" and 48-80" adjustable heights. Other heights available. The 1-7/8" dia. upper tube leg receives the lower 1-5/8" dia. tube leg for raising and lowering of heights.
- **Gravity Slide Lock** – Legs lock into their use position when unfolded, and lock inside the dimensions of the frame when stored.

2) VT-Legs – Each variable terrain leg is independent of the other, offering adjustable variable heights for uneven indoor-outdoor terrain. Zinc-plated for exterior use. Leg heights are same as for H-Legs.

3) Insertable Legs – Used primarily with stage heights lower than 24". Legs insert into built-in understructure deck frame leg sockets. 8", 16" and 24" (20cm, 41cm, and 61cm) option for either tall leg units or bridge and master deck units.

Stage Accessories – SICO® provides all necessary accessories to complete your professional stage setup. Refer to our literature containing our complete line of stage accessories.

- **Storage Rack.** Available in 3'x8' and 4'x8' standard sizes. Unloading rack provides easy set-up of decks right from the storage rack. Storage rack is stackable for even more space saving opportunity.

Warranty – Protected by a **3-Year Warranty** against manufacturer's defects. **Lifetime Warranty** on welds.

Versatility of Folding Leg Stage Configurations



Multi-Height Tiered Riser Configuration Using “H-Legs” and “Insertable Legs” on lowest level.



Single Height Stage Configuration Using “H-Legs”



Variable Terrain Stage Configuration Using “VT-Legs” and “Insert-able Legs” on lowest level.

Specifications

H-Leg Stage System

Single & adjustable height "H-Leg" folding leg stages with 5" adjusting glides, connector channels, roto-locks and Velcro. Black finish.

Model No.	Description	Weight
Single Height		
SVT11B3N8??B	3'x8' (91cm x 244cm) Deck – 8" Height	110 lbs. (49.94 kg.)
SVT11B3L8??B	3'x8' (91cm x 244cm) Deck – 16" Height	120 lbs. (54.48 kg.)
SVT11B3I8??B	3'x8' (91cm x 244cm) Deck – 24" Height	130 lbs. (59.02 kg.)
SVT11B4N8??B	4'x8' (122cm x 244cm) Deck – 8" Height	150 lbs. (68.1 kg.)
SVT11B4L8??B	4'x8' (122cm x 244cm) Deck – 16" Height	160 lbs. (72.64 kg.)
SVT11B4I8??B	4'x8' (122cm x 244cm) Deck – 24" Height	175 lbs. (79.45 kg.)
Adjustable Height		
SVT11B3C??B	3'x8' (91cm x 244cm) Deck – 24" to 32" (61cm to 81cm) - 4" or 8" height increments	150 lbs. (68.1 kg.)
SVT11B3B??B	3'x8' (91cm x 244cm) Deck – 32" to 48" (81cm to 122cm) - 4" or 8" height increments	170 lbs. (72.64 kg.)
SVT11B3A??B	3'x8' (91cm x 244cm) Deck – 48" to 80" (122cm - 203cm) - 4" or 8" height increments	180 lbs. (79.45 kg.)
SVT11B4C??B	4'x8' (122cm x 244cm) Deck – 24" to 32" (61cm to 81cm) - 4" or 8" height increments	200 lbs. (90.8 kg.)
SVT11B4B??B	4'x8' (122cm x 244cm) Deck – 32" to 48" (81cm to 122cm) - 4" or 8" height increments	230 lbs. (104.42 kg.)
SVT11B4A??B	4'x8' (122cm x 244cm) Deck – 48" to 80" (122cm - 203cm) - 4" or 8" height increments	260 lbs. (118.04 kg.)
Bridge Units with connector channels, Roto-Locks and Velcro		
SVT11D3	3'x8' (91cm x 244cm) Bridge Unit	100 lbs. (45.4 kg.)
SVT11D4	4'x8' (122cm x 244cm) Bridge Unit	135 lbs. (61.29 kg.)

Insertable Leg Stage System

Set of 4 single height "Insertable" folding leg stages with 5" adjusting glides, connector channels, roto-locks and Velcro. Black finish.

Model No.	Description
112502-06S1	6" high Insertable legs (set of 4)
112502-08S1	8" high Insertable legs (set of 4)
112502-12S1	12" high Insertable legs (set of 4)
112502-16S1	16" high Insertable legs (set of 4)
112502-18S1	18" high Insertable legs (set of 4)
112502-24S1	24" high Insertable legs (set of 4)
112502-32S3	32" high Insertable legs (set of 4)
2768-001S3	Insertable casters (set of 4)

VT-Leg Stage System

(Single & adjustable height “VT-Leg” folding leg stages with 5” adjusting glides, roto-locks and Velcro. Zinc plated finish. An optional outdoor fiberglass sealed deck is available.)

Model No.	Description	Weight
Adjustable Height		
SVT11S3C8??Z	3’x8’ (91cm x 244cm) Deck – 24” to 32” (61cm to 81cm) - 4” or 8” height increments	150 lbs. (68.1 kg.)
SVT11S3B8??Z	3’x8’ (91cm x 244cm) Deck – 32” to 48” (81cm to 122cm) - 4” or 8” height increments	170 lbs. (72.64 kg.)
SVT11S3A8??Z	3’x8’ (91cm x 244cm) Deck – 48” to 80” (122cm - 203cm) - 4” or 8” height increments	180 lbs. (79.45 kg.)
SVT11S4C8??Z	4’x8’ (122cm x 244cm) Deck – 24” to 32” (61cm to 81cm) - 4” or 8” height increments	200 lbs. (90.8 kg.)
SVT11S4B8??Z	4’x8’ (122cm x 244cm) Deck – 32” to 48” (81cm to 122cm) - 4” or 8” height increments	230 lbs. (104.42 kg.)
SVT11S4A8??Z	4’x8’ (122cm x 244cm) Deck – 48” to 80” (122cm - 203cm) - 4” or 8” height increments	260 lbs. (118.04 kg.)
Single Height		
SVT11S3N8??Z	3’x8’ (91cm x 244cm) Deck – 8” Height	110 lbs. (49.94 kg.)
SVT11S3L8??Z	3’x8’ (91cm x 244cm) Deck – 16” Height	120 lbs. (54.48 kg.)
SVT11S3I8??Z	3’x8’ (91cm x 244cm) Deck – 24” Height	130 lbs. (59.02 kg.)
SVT11S4N8??Z	4’x8’ (122cm x 244cm) Deck – 8” Height	150 lbs. (68.1 kg.)
SVT11S4L8??Z	4’x8’ (122cm x 244cm) Deck – 16” Height	160 lbs. (72.64 kg.)
SVT11S4I8??Z	4’x8’ (122cm x 244cm) Deck – 24” Height	175 lbs. (79.45 kg.)

Stage Deck Surface Options



Cayenne (48)



Charcoal (25)



Cloud-Gray (22)



Fern Bank (42)



Light Buff (26)



Metallic Blue (43)



Onyx (23)



Roasted Almond



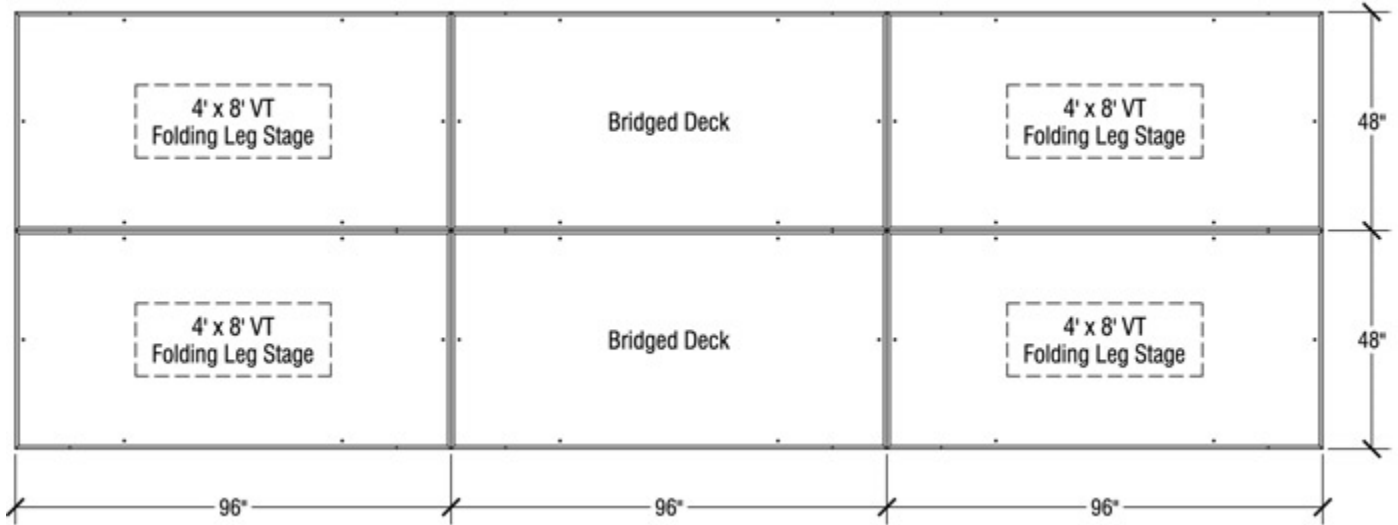
Black Tuff-Deck (41)

Durable Tuff-Cord Needlebond Carpet Fabrics and non-carpeted durable scratch resistant black Tuff-Deck surface options available.

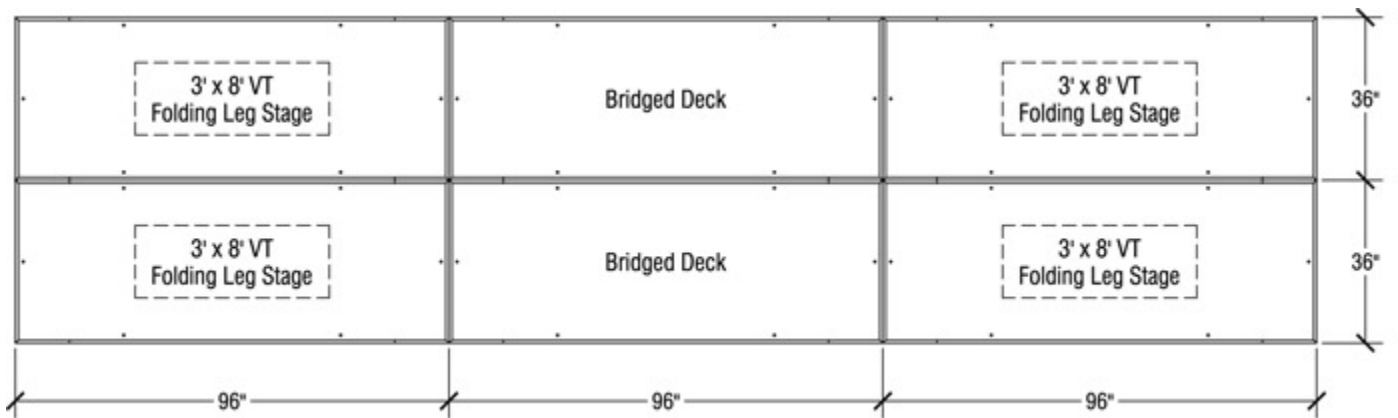
Dimensions

Bridged Folding Leg Stages

Bridging Concept

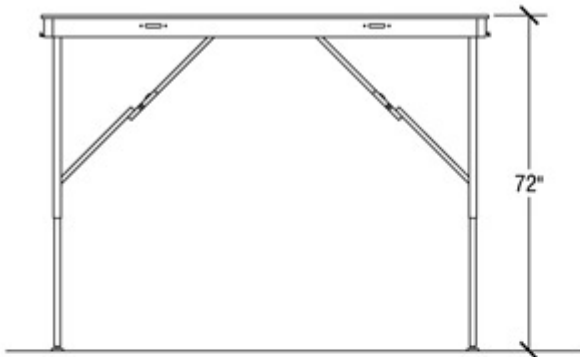


A bridged deck is supported between (2) 3'x8' or (2) 4'x8' VT stages.

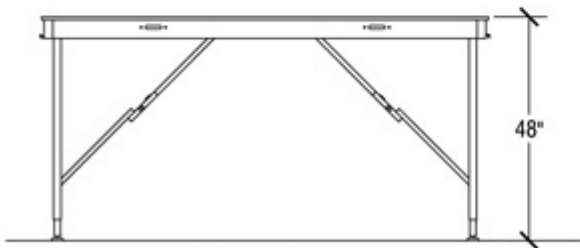


3' x 8 Folding Leg Stage & Transport Caddy – (Multi-Height)

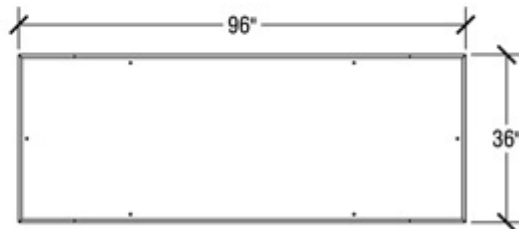
See specifications above for stage heights. Stage when folded is 4-5/8" thick.



Elevation at highest height



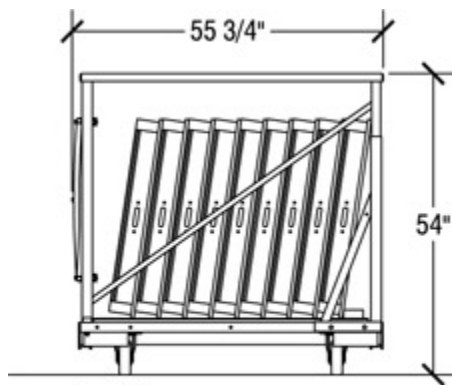
Elevation at lowest height



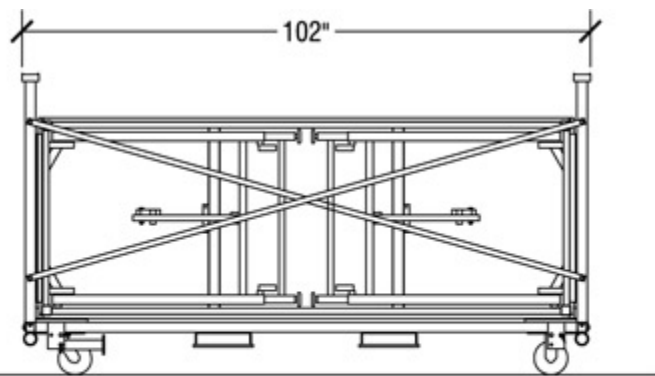
Top View

Open Stage Dimensions

Mobile Stage Transport Caddy Dimensions.



End View

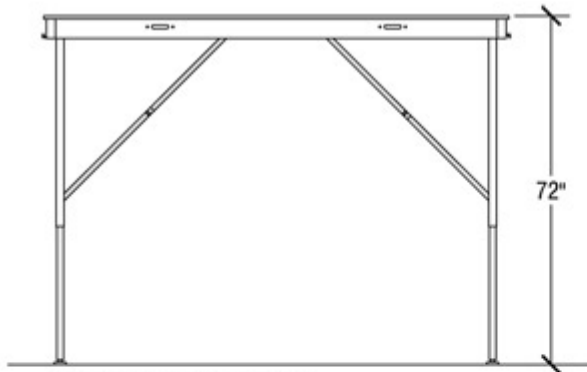


Side View

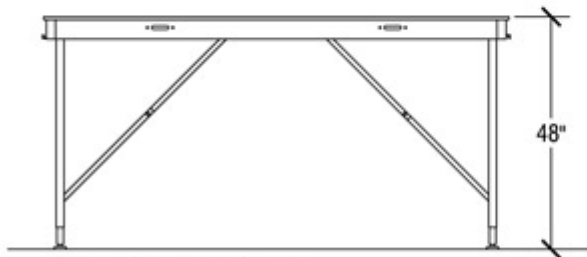
Storage Configuration

4' x 8' Folding Leg Stage & Transport Caddy – (Multi-Height)

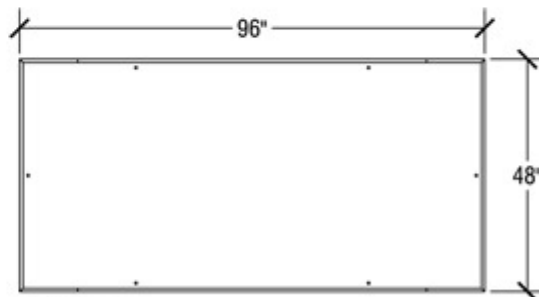
See specifications above for stage heights. Stage when folded is 4-5/8" Thick



Elevation at highest height



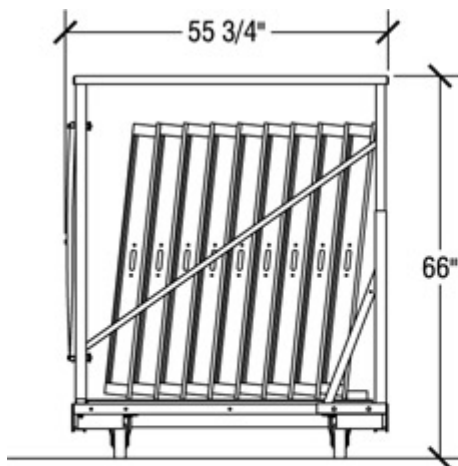
Elevation at lowest height



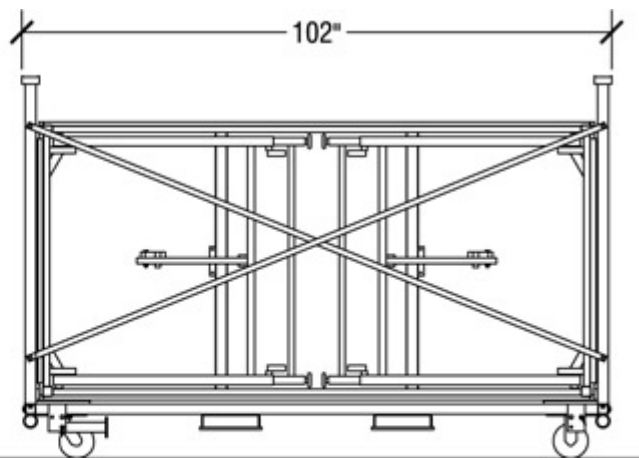
Top View

Open Stage Dimensions

Mobile Stage Transport Caddy Dimensions.



End View



Side View

Storage Configuration



For More Information Visit: <http://www.sicoinc.com/vt.php>

7525 Cahill Road, Minneapolis MN 55439
1.800.533.7426

Various Applications of Folding Leg Stages



Single-Height Runway Stage Configuration



Multi-Height Band Riser Configuration



Multi-Height Riser Configuration



For More Information Visit: <http://www.sicoinc.com/vt.php>

7525 Cahill Road, Minneapolis MN 55439
1.800.533.7426