

WARNING

DO NOT REMOVE THESE INSTRUCTIONS UNTIL READY TO INSTALL THE STABILIZER BAR.

STABILIZER BAR MUST BE PROPERLY INSTALLED AND ENGAGED BEFORE MOVING THE TABLE. FAILURE TO DO SO COULD CAUSE TABLE TO TIP. SERIOUS INJURY OR DEATH COULD RESULT.

1. TABLE IS SHIPPED WITH STABILIZER BAR INSTALLED AS SHOWN IN THE UPPER LEFT CORNER OF THIS DRAWING. IT MUST BE REMOVED AND REATTACHED BEFORE USING THE TABLE.

2. REMOVE THE NUT, WASHER AND STABILIZER BAR (ITEMS 3, 4 & 6). REATTACH STABILIZER BAR PER DETAIL IN LOWER LEFT CORNER OF THIS DRAWING. TIGHTEN NUT (ITEM 4) SO BAR IS NOT TOO LOOSE, BUT CAN EASILY MOVE UP AND DOWN.

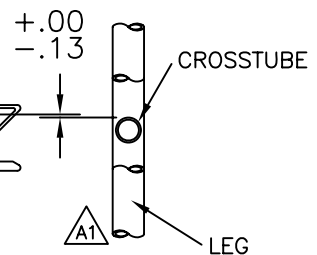
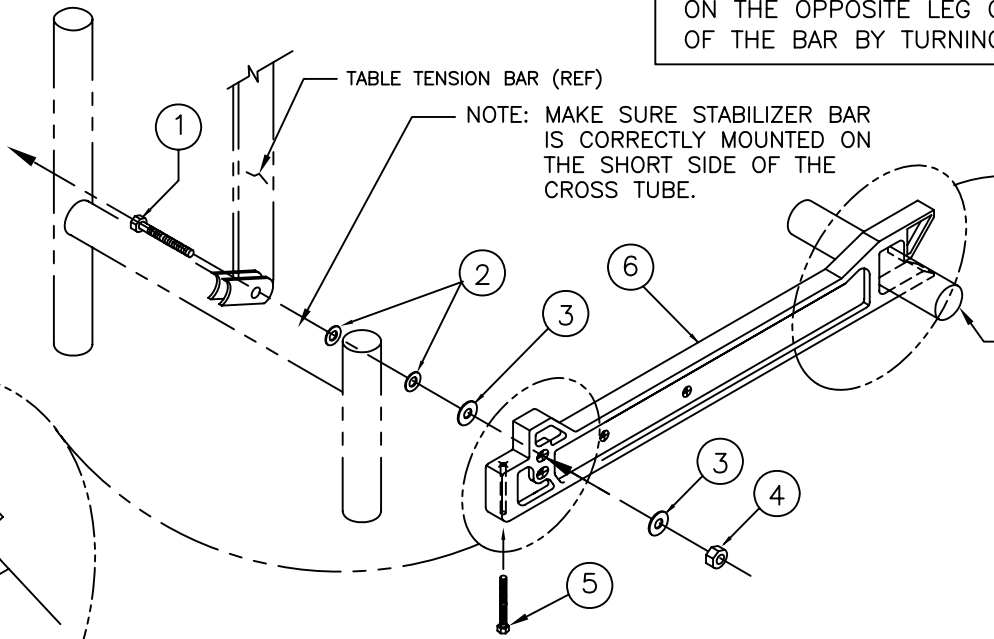
3. THE STABILIZER BAR MUST ALIGN PROPERLY WITH THE CROSS BRACE ON THE OPPOSITE LEG OF THE TABLE. ADJUST THE VERTICAL POSITION OF THE BAR BY TURNING THE ADJUSTING SCREW (ITEM 5) IN OR OUT.

STABILIZER BAR LOCATION DURING SHIPPING

STABILIZER BAR LOCATION AFTER PREPARATION FOR USE;

USE THE LOWER HOLE FOR TABLES WITH STOOLS (TC-65'S)

USE THE UPPER HOLE AS SHOWN FOR TABLES WITH BENCHES (BY'S), AND TABLES WITH NO BENCHES OR STOOLS (LB'S)



ADJUST SO THAT STABILIZER BAR ENGAGES LEG CROSS BRACE AS SHOWN

BY TABLES (BENCHES) & LB TABLES (RECTANGULAR) - USE UPPER HOLE.

TC TABLES (STOOLS ATTACHED) - USE BOTTOM HOLE.

G	CHANGED STOOL INSTALL INSTRUCTIONS 04/11/05	RJH	D	ADDED STOOL INSTRUCT. ADDED SECOND HOLE 05/22/03	RJP
F	CHANGED STOOL INSTALL INSTRUCTIONS 08/13/04	RJH	C	CHANGED WARNING TEXT 02/19/02	RJP
E	CHANGED STOOL INSTALL INSTRUCTIONS 12/26/03	RJH	B	ADD DETAIL 8/23/00	RJP
			A1	ADD DETAIL 5/27/99	CAN

DO NOT SCALE DRAWING

REVISION

SICO	COPYRIGHT 1997	DATE	5/30/97
	TOLERANCES ARE NON-ACCUMULATIVE. DIMENSIONS ARE IN INCHES AND [MM'S] UNLESS OTHERWISE NOTED. TOLERANCES ARE: .XXX ± .0005 .XXX ± .010 .XX ± .030 ANGLES ± 1' FRACTIONS ± 1/32	DRAWN BY	CAN
		CHK'D BY	
SCALE		U/M	PC
1=8			
FINISH		-	

STABILIZER BAR INSTALLATION INSTRUCTIONS

113134