
 WARNING!	<p>Always wear safety glasses when assembling Ramp Caddy Failure to observe this warning can result in serious injury!</p>
---	---

 CAUTION!	<p>All personnel including temporary workers must read and understand this instruction before assembling the Ramp Caddy System.</p>
---	---

Intended Use

1. The Ramp Caddy is intended to be assembled as described in this instruction.
2. If problems or questions arise, contact SICO® Inc. customer care number listed at the bottom of this page.

Tools Required

The Ramp Caddy assembly requires the assembler to supply the tools shown at the right.



Rubber Mallet



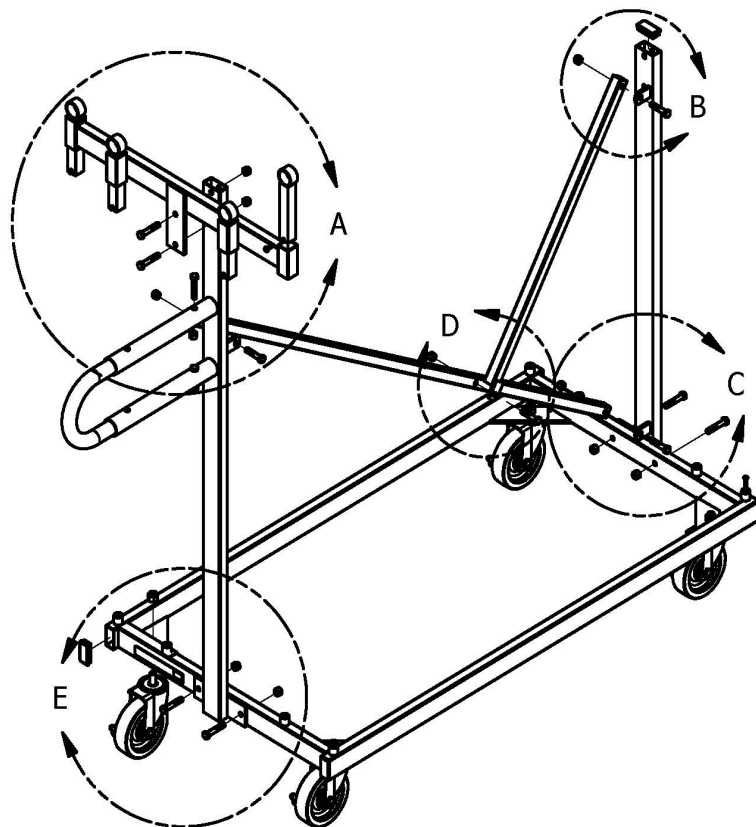
9/16" Socket and Ratchet

AND

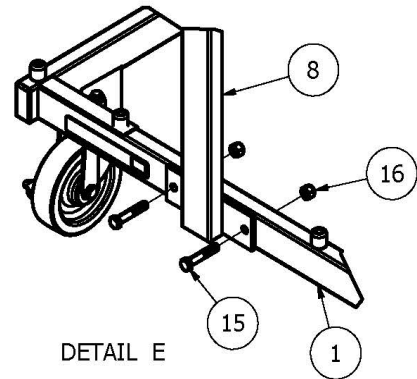


One 9/16" Combination Wrench

ITEM	QTY	DESCRIPTION
1	1	WELDMENT, BASE (4) PLACE
2	1	WELDED LOCK HOLDER
8	1	WLD VERT LONG
9	1	WLD VERTICAL SHORT
10	1	BRACE LONG
11	1	WLD BRACE
14	4	SCR C HH .38-24 X 1.75
15	8	SCR C HH .38-24X2.00-
16	12	LOCK NUT, 0.38-24 NF

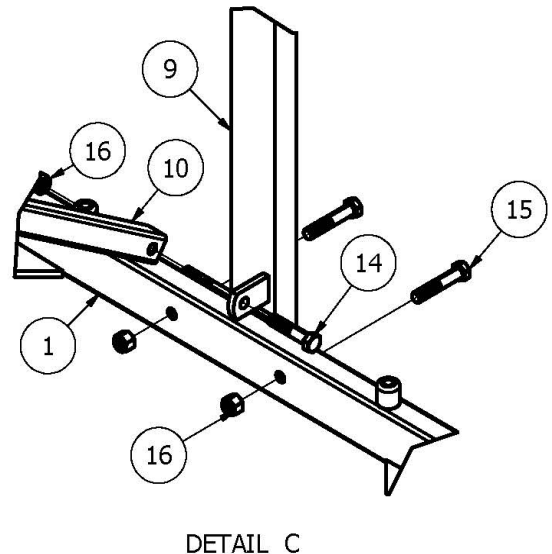


1. Item #8 (WLD Vert Long) will be lifted into place & fastened to Item #1 (Weldment, Frame, Ramp Caddy) w/Item #15 - 3/8" X 2.00" bolt & Item #16 - 3/8" locknut.



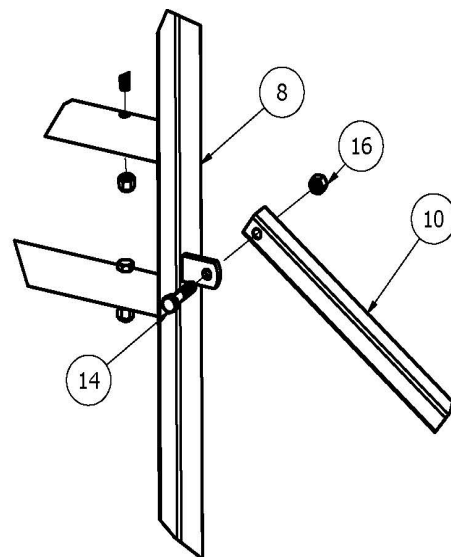
2. Item #9 (WLD Vert Short) will be lifted into place & fastened to Item #1 (Weldment, Frame, Ramp Caddy) w/Item #15 - 3/8" X 2.00" bolt & Item #16 - 3/8" locknut.

Note: Item #8 (WLD Vert Long) and Item #9 (Welded Vertical Short) must be secured before installing Item #10.

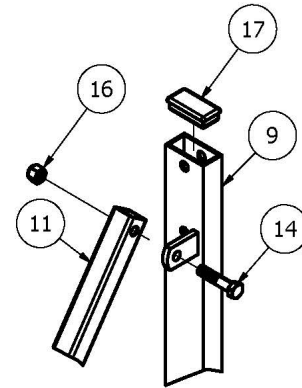


Item #10 (Brace Long) will be lifted into place & fastened to Item #9 (WLD Vert Short) w/Item #14 - 3/8" X 1.75" bolt & Item #16 - 3/8" locknut.

3. Item #10 (Brace Long) will be lifted into place & fastened to Item #8 (WLD Vert Long) w/Item #14 - 3/8" X 1.75" bolt & Item #16 - 3/8" locknut.

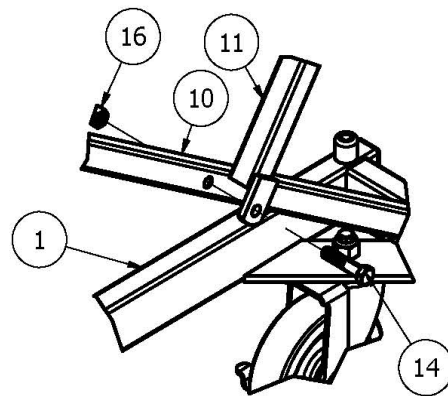


4. Item #11 (WLD Brace) will be lifted into place & fastened to Item #9 (WLD Vert Short) w/Item #14 - 3/8" X 1.75" bolt & Item #16 - 3/8" locknut.



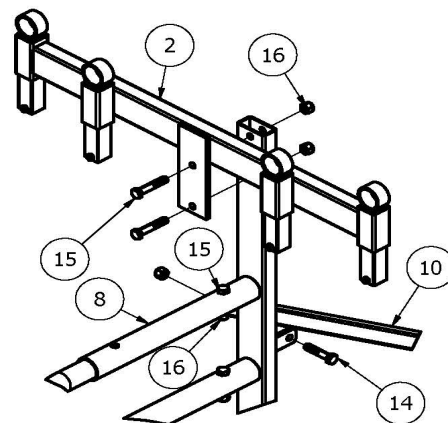
DETAIL B

5. Item #11 (WLD Brace) will be moved into place & fastened to Item #10 (Brace Long) w/Item #14 - 3/8" X 1.75" bolt & Item #16 - 3/8" locknut.



DETAIL D

6. Item #2 (Welded Lock Holder) will be set into place and bolted w/Item #15 - 3/8" X 2.00" bolt & Item #16 - 3/8" locknut.



DETAIL A