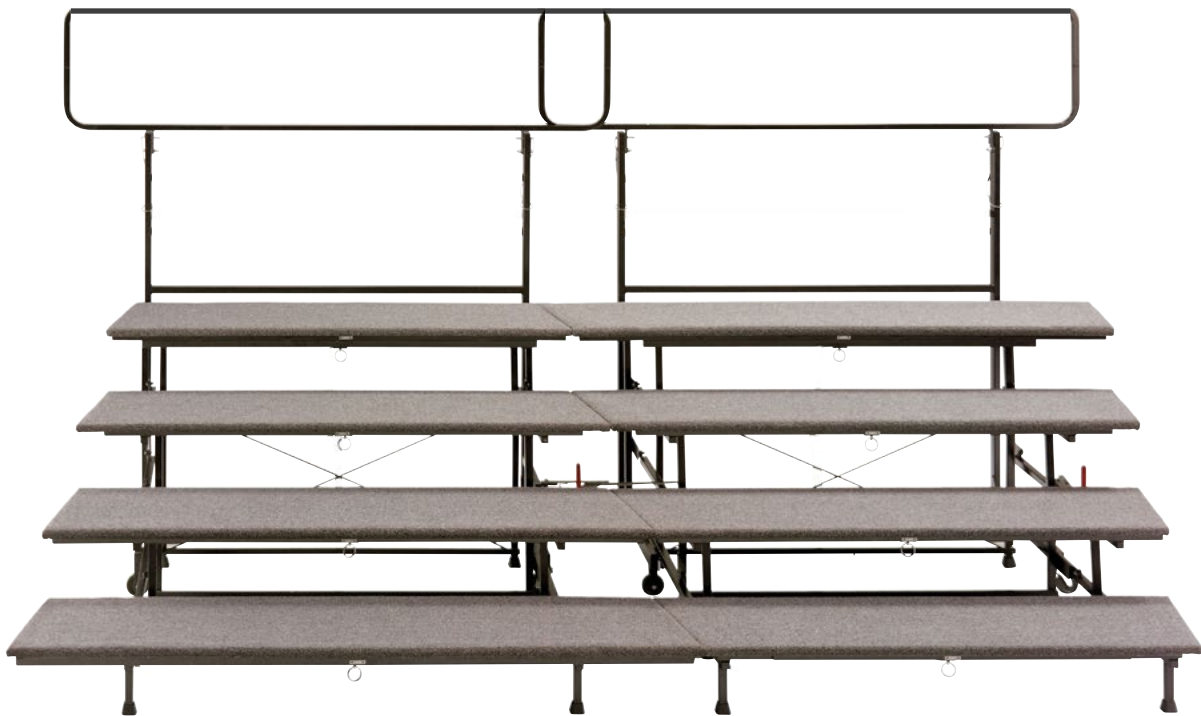


Harmony Choral Riser



Designed to Fit.
Built to Last.



*Pictured: Harmony Choral Riser
4-Tier
Cloud Gray (22) Carpet*

SICO® QUALITY

Sturdy, Safe, Simple Stage Risers — in 3- or 4-tier Options. With SICO® Harmony Choral Stage Risers, you just roll each self-contained unit into place, lower the steps with one fluid motion to the floor, lock it to the next unit, and it's showtime! When in use, each unit rests on 10-12 solid points of contact, so the risers remain solid and quiet. Each step is fully carpeted and positioned to keep heels from slipping off the back edge.



Configurable

Create curved or straight configurations that optimize the experience and streamline your event staff operations.



Intuitive Design

Riser is designed to be handled and set up by just one person, creating significant labor and cost savings year over year.



Compact Storage

Entire riser and guardrail folds for minimal storage footprint. Designed to be a sturdy, self-contained mobile unit.

Harmony Choral Riser Features

Attached Rear Safety Guardrails

Quick Reverse Decks (for curved or straight configurations)

Optional Side Guardrails with Storage

Structural Deck Frames

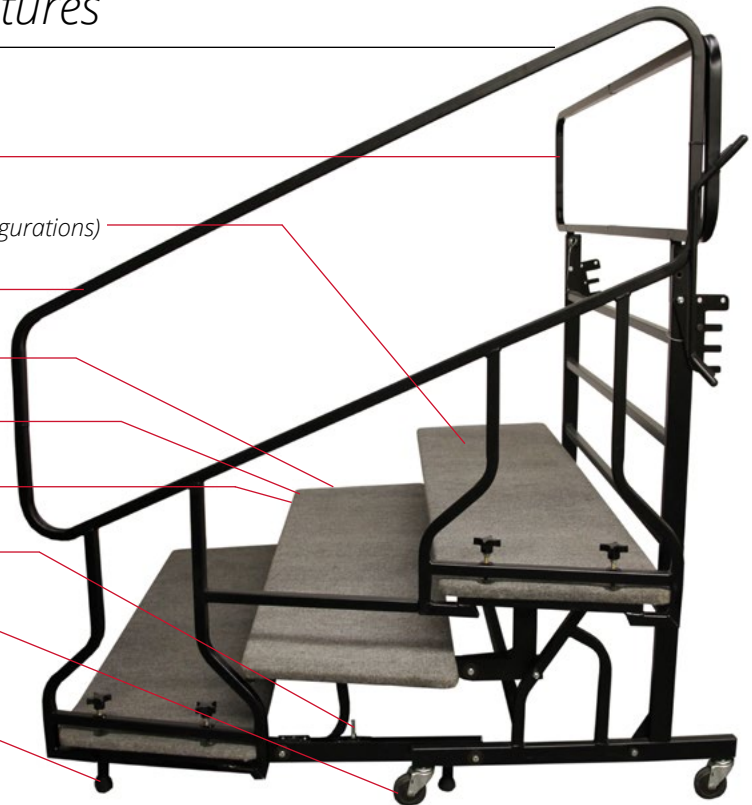
Carpet-Wrapped Decks

Deck-to-Deck Overhang

Unit-to-Unit Connector

Four Swivel Casters

Non-Marking Glides



FEATURES & BENEFITS

Folding Frame

Black Frame Finish: Attractive, non-reflective and professional appearance.

Rear Safety Guardrails: Rear security guardrails come standard and are permanently attached to the back row of each riser for added safety. This guardrail also folds down over the unit to secure it in the transport mode.

Optional Side Guardrails: Locks onto pivoting top rail without tools. Side rails mount to back of unit when in stored position. One side rail kit is all you need to protect both ends. This added safety feature is highly recommended.

Unit-to-Unit Connector: Secures units together and locks them into place. No gaps between units for heels to slip through. Nothing to unbolt or unscrew for set-up or take-down when you change configurations.

Non-Marking Glide: Provides quiet, non-marring floor contact in the set-up position. Durable, neoprene glide comes complete with steel washer insert, to protect glide from wear over time.

Riser Deck

Quick Reverse Decks: Change arrangement of units in seconds without tools.

Welded Aluminum: Deck frames are welded aluminum to minimize weight. One person can easily operate.

Carpet-Wrapped: Carpet completely wraps tops and sides of all decks so they are always quiet, yet delivering an acoustical asset to your performances. Carpet also eliminates the possibility of catching robes on sharp edges.

Deck-to-Deck Overhang: 1" (2.5 cm) deck-to-deck overhang reduces chance of accidents caused by heels slipping between riser tiers.

Space Design

Take advantage of our **FREE space design service to determine the optimal layout and number of products for your space.**

Transport & Storage

Easy Operation: Transport and storage are easy for staff. Easy to lift, easy to fold, and nothing to disassemble for storage makes it simple for staff to fold up units.

Folded Stability: Choral risers fold up for convenient transporting and storage. One simple lifting motion makes it easy to fold up units.

Four (4) Swivel Casters: Roll easily on 4 wheels and fit through a standard 36" (91cm) doorway. No loose parts to worry about.

Shipped Fully Assembled: Everything is contained in one unit, no parts to carry or add on.

Warranty

Protected by a **15-year** warranty against manufacturer's defects. Lifetime warranty on welds. Visit www.sicoinc.com for all warranty details.

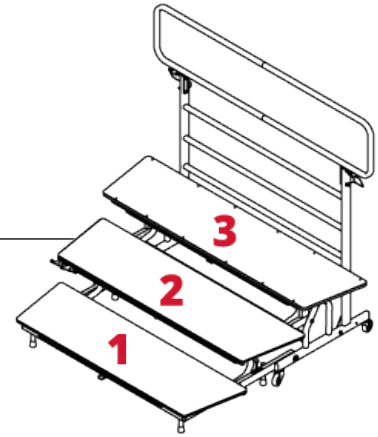
Serial Number: Attached to frame for easy identification.



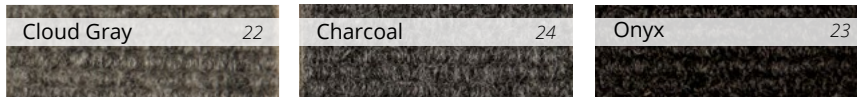
OPTIONS

Choose 3-Tier or 4-Tier Configuration

The 3-Tier models is best for smaller groups and settings. Choose the 4-tier model for the best use of space and larger group numbers. Both models have reversible decks and the same accessories.

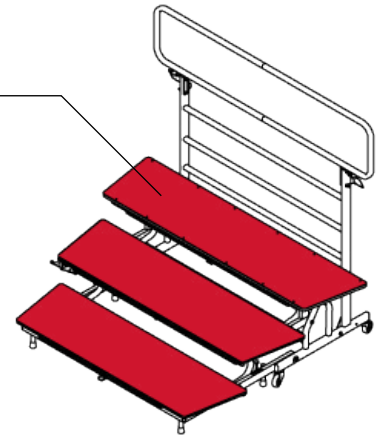


Choose Carpet Color



More carpet colors available. Visit www.sicoinc.com for more information.

All colors are representative only



Choose Capacity

3-Tier		
Units	Capacity*	Width X Depth (when in arch configuration)
2	24-32	11' 11" x 5' 4" (363x162cm)
3	36-48	17' 6.5" x 6' (535x182cm)
4	48-64	22' 9" x 7' 5.5" (693x227cm)
5	60-80	27' 5.5" x 8' 10" (837x269cm)
6	72-96	31' 5.5" x 10' 9" (959x327cm)
7	84-112	34' 8" x 12' 7" (1057x383cm)
8	96-128	37' 0.5" x 14' 10.5" (1129x453cm)
9	108-144	38' 6" x 17' (1173x518cm)
10	120-160	39' 0.5" x 19' 6.5" (1190x595cm)

4-Tier		
Units	Capacity*	Width X Depth (when in arch configuration)
2	32-40	12' 10" x 6' 11.5" (391x212cm)
3	48-61	18' 10.5" x 7' 8" (575x233cm)
4	64-82	24' 5" x 9' 0.5" (744x276cm)
5	80-103	29' 4.5" x 10' 4.5" (895x316cm)
6	96-124	33' 8" x 12' 3.5" (1026x374cm)
7	112-145	37' 1" x 14' 1" (1130x429cm)
8	128-166	39' 8" x 16' 4" (1208x498cm)
9	144-187	41' 1.5" x 18' 5" (1253x561cm)
10	160-208	41' 8" x 20' 10.5" (1270x636cm)

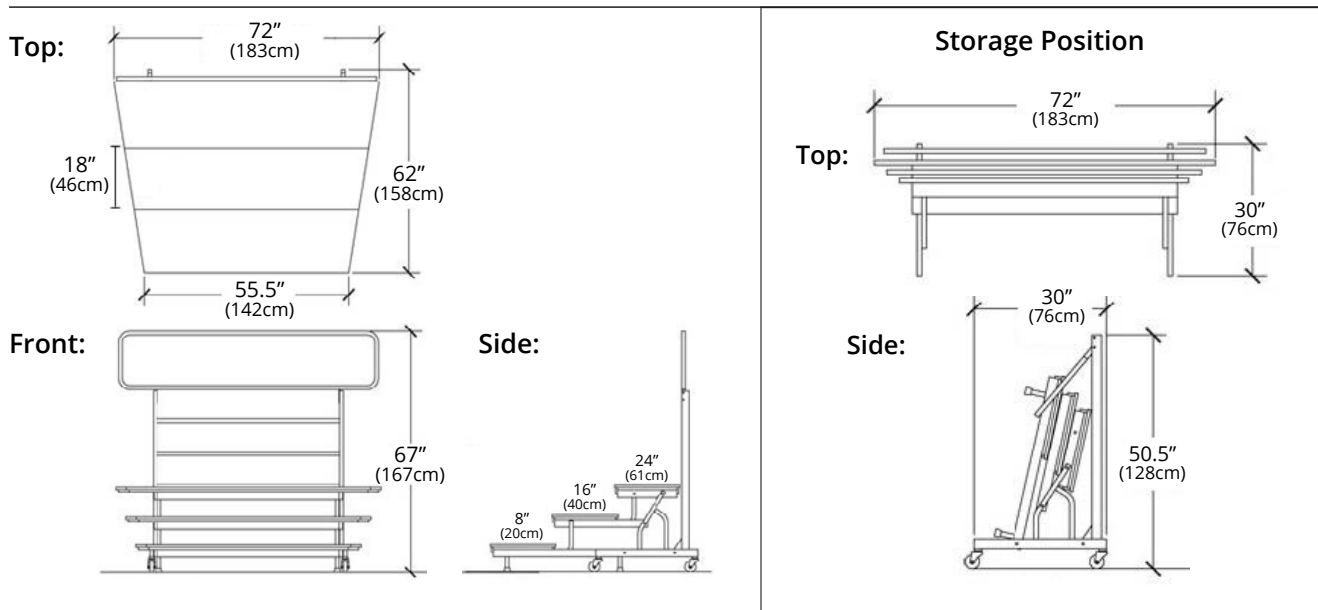
* **First Group Capacity Number:** Performers shoulder to shoulder.

* **Second Group Capacity Number:** Performers facing center, shoulders turned in. Capacities based upon average size high school performers with one row on floor.

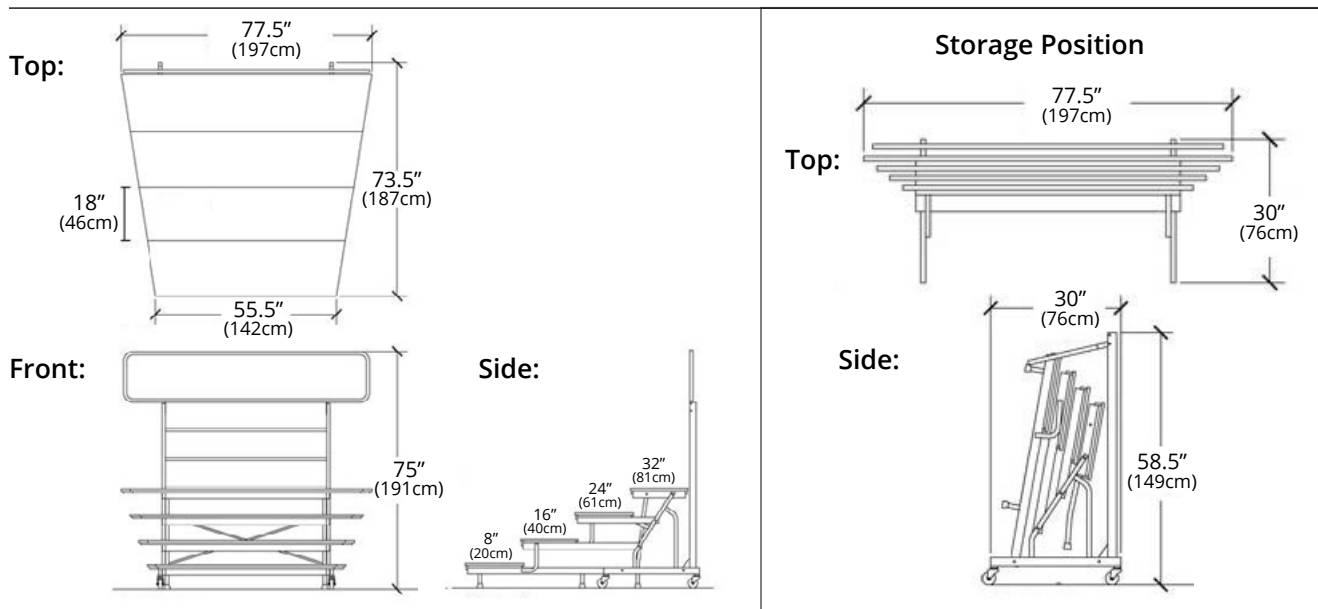
SPECIFICATIONS

Model No.	Description	Top Riser Height	Weight
2611-324B	3-Tier	24" (61cm)	172 lbs. (78kg)
2611-432B	4-Tier	32" (81cm)	221 lbs. (100kg)
C2612-34GRDB	Set of (2) Side Rails and (2) Storage Hangers	n/a	81 lbs. (37kg)

3-Tier Dimensions



4-Tier Dimensions



WANT TO FIND OUT MORE?

Visit www.sicoinc.com to see more of our wide variety of innovative products.



©SICO Incorporated
Choral Riser IS - 7/23 - R3 IPG 2K

SICO Incorporated -
Global Headquarters

SICO America Inc.
Tel: 1 800 328 6138
Email: sales@sicoinc.com

SICO Japan Inc.
Tel: +81(3) 3288 0145
Email: info@sico-japan.com

SICO Asia PTE LTD
Tel: (65) 6500 0800
Email: sales@sicoasia.com

SICO Middle East DMCC
Tel: (971) 4 422 8259
Email: sales@sico-me.com

SICO Europe Limited
Tel: +44(0) 1303 234 000
Email: sales@sico-europe.com

SICO South Pacific Limited
Tel: +61(2) 4336 1333
Email: sales@sicosp.com.au