

Tri-Height Portable Stage



Designed to Fit.
Built to Last.



*Pictured: Tri-Height Stage
4'x8' (122x244cm)
Cloud Gray (22) Carpet*

SICO® QUALITY

SICO® Tri-Height Mobile Stage units conveniently adjust in 6" or 8" increments and in two or three heights for maximum built-in flexibility. Each section of our mobile, folding Tri-Height Stage is designed to be handled by one person and features innovative reversible decks, making it easy for you to maximize the usage opportunities for your stage.



Configurable

Create multiple configurations that optimize your guest experience and streamline your event staff operations.



Intuitive Design

Stage is designed to be handled and set up by just one person, creating significant labor and cost savings year over year.



Compact Storage

Entire stage folds up compactly for storage. Designed to be a self-contained mobile unit for efficient and easy storage.

Tri-Height Stage Features

Guardrail Accessory

Spring Assist for Reversible Deck

Hook & Loop Drape Fastener

Unit-to-Unit Connector

Tiered Riser Connector

Heavy Duty Casters

Leg Height Mechanism

Non-Marring Glides



Stage Frame

Load Bearing Legs: Stage unit rests on 8 direct-to-floor load bearing legs that serve as points of contact to stabilize the stage in the open position. Square legs are extremely durable providing a long-lasting leg system.

Adjustable Leg Height:

Sets the height of the stage to desired height in 6" (15cm) or 8" (20cm) height increments. Pin is permanently attached. Adjusts in just seconds. Painted yellow for easy identification as an operational part.

- 12"/18" (31/46cm)
- 16"/24" (40/61cm)
- 24"/32" (61/81cm)
- 18"/24"/30" (46/61/76cm)
- 24"/30"/36" (61/76/91cm)
- 30"/36"/42" (76/91/107cm)

Unitized Steel Frame:

Constructed with a rigid, one piece welded unitized steel frame for long-lasting strength and durability. Deck is securely anchored to frame for structural integrity.

Glides: Non-marring nylon glides protect floors and dampen noise.

Limited Warranty

Protected by a 3-year warranty against manufacturer's defects. Lifetime warranty on welds. Visit www.sicoinc.com for all warranty details.

Serial Number: Attached to frame for easy identification.

FEATURES & BENEFITS

Stage Deck

Structural Deck:

Constructed with two 3/8" thick plywood outer layers, bonded to a honeycomb core, with a solid lumber perimeter. Light-weight, very strong and quiet, with strength to support 156lbs. per square foot (610 Kg./Sq. Meter)

Reversible Deck: Available in 6'x8' or 4'x8' sections with durable scratch-resistant black solid surface on one side and your choice of long wearing carpet color on the other.

Spring Assist: Pop-up tension springs attached to opposite corners of the frame elevate the deck for easy reversibility. Removal of the 4-bolt assembly makes it easy to flip decks using only a conventional allen-wrench.

Hook & Loop Drap Fastener:

Continuous hook fastener banding placed around the perimeter edges of decking allows for quick and easy attachment of skirting without any clips or pins.

Load Ratings

Uniformly Distributed Load:

156 psf (6.0 kN/m²).

Sway Load: 5% of uniformly distributed load.

Point Load: 337 lbs (153 kg) on a 2"x2" (5x5cm) area.

Space Design

Take advantage of our FREE space design service to determine the optimal layout and number of products for your space.

Transport & Storage

Self-Storing Mobile Unit:

Stage deck and legs of unit fold up compactly for storage. Designed to be a self-contained mobile unit for efficient single-person set-up and easy storage, resulting in considerable savings in labor and time.

Over-Center Locking

Mechanism: When legs are folded, the alignment of pivot points create just the right amount of tension to securely hold frame in folded position for storage and transport.

Heavy Duty Casters:

Non-marring 5" (13cm) rubber wheels protect floors, and are designed for long life.

Unit-to-Unit Connectors

Non-Tiered Connector:

Permanently attached yellow connector holds additional stage units securely together when at the same heights. No cords, hook & loop, or tape are necessary.

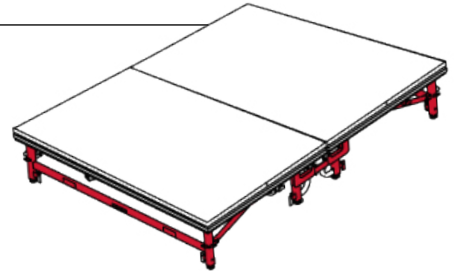
Tiered Riser Connector:

Built-in black connectors secure additional stages together when units are at different heights. Stage decks slightly overlap in this setup to keep chair legs from sliding through. No additional chair stop is required.

OPTIONS

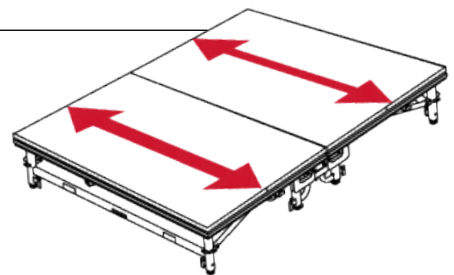
Choose Height Adjustability

Choose from either dual-height or three-height stage units. Also choose stage units that adjust in 6" or 8" (15 or 20cm) increments. This will determine the possible tiered or non-tiered configurations and overall heights of the stage decks.



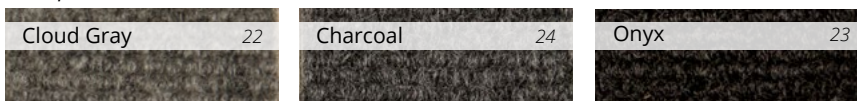
Choose Width

Choose from two width options 4'x8' and 6'x8' (122x244cm and 180x244cm). This allows for the ideal configurations for your space while using the fewest number of stages making setup and storage simple and efficient for any type of event.



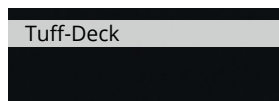
Choose Deck Surfaces

Carpet

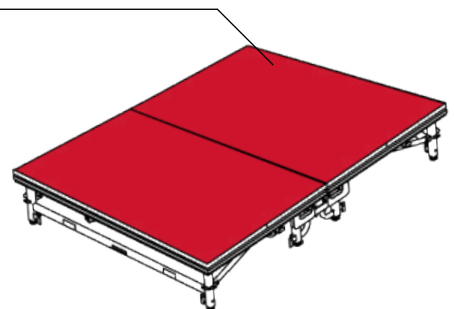


More carpet colors available. Visit www.sicoinc.com for more information.

Hard Surface (Not available on ADA stage ramps)



All colors are representative only



Choose Accessories

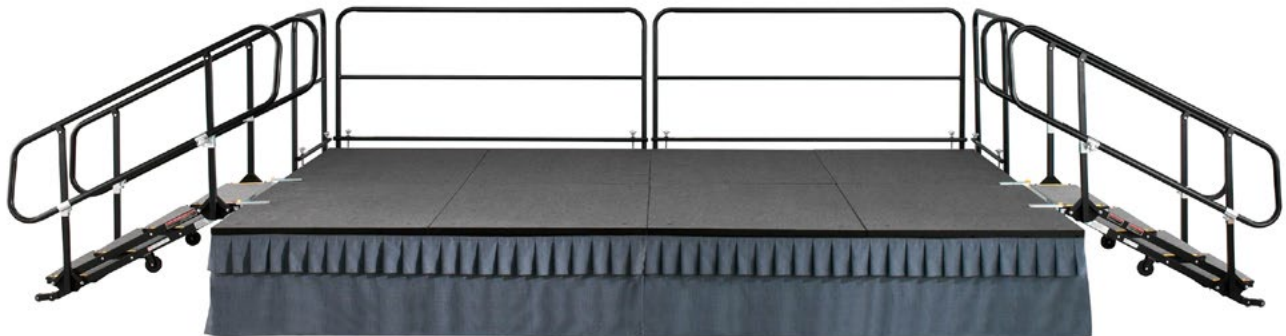
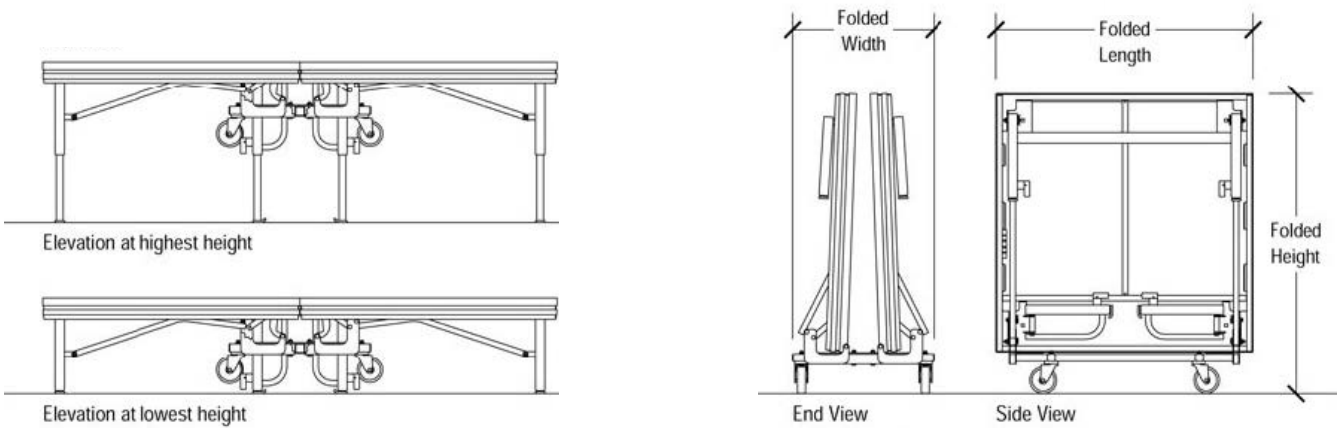
Description	Model No.
Ramp	SAR31?????
Backdrop	SBVM11?Z
Drapes	SDVM????
Drape Caddy	1416-001B
Chair & Table Stop	SAX11CS?

Description	Model No.
Guardrail	1853-2??B
Guardrail Storage Caddy	1412-001B
Modular Steps	SAS21?????
Articulating Steps	SAS31???

? = Customization Option

SPECIFICATIONS

Description	Deck Height	Storage Dimensions (LxWxH)	Weight
4' x 8' Deck (122cm x 244cm)	12"/18" (31/46cm)	48" x 27.5" x 49.5" (122x69x136cm)	280 lbs. (127kg)
	16"/24" (41/61cm)	72" x 26" x 53.5" (183x65x136cm)	336 lbs. (151kg)
	24"/32" (61/81cm)	72" x 30" x 61.5" (183x75x156cm)	336 lbs. (151kg)
	18"/24"/30" (46/61/76cm)	48" x 26" x 55.5" (122x65x141cm)	324 lbs. (147kg)
	24"/30"/36" (61/76/91cm)	48" x 30" x 61.5" (122x75x156cm)	365 lbs. (166kg)
	30"/36"/42" (76/91/107cm)	48" x 30" x 67.5" (122x75x171cm)	384 lbs. (174kg)
6' x 8' Deck (180cm x 244cm)	12"/18" (31/46cm)	72" x 27.5" x 49.5" (183x69x136cm)	375 lbs. (170kg)
	16"/24" (41/61cm)	72" x 26" x 53.5" (183x65x136cm)	400 lbs. (181kg)
	24"/32" (61/81cm)	72" x 30" x 61.5" (183x75x156cm)	400 lbs. (181kg)
	18"/24"/30" (46/61/76cm)	72" x 26" x 55.5" (183x65x141cm)	404 lbs. (182kg)
	24"/30"/36" (61/76/91cm)	72" x 30" x 61.5" (183x75x156cm)	428 lbs. (194kg)
	30"/36"/42" (76/91/107cm)	72" x 30" x 67.5" (183x75x171cm)	439 lbs. (199kg)



WANT TO FIND OUT MORE?

Visit www.sicoinc.com to see more of our wide variety of innovative products.



SICO Incorporated -
Global Headquarters
SICO America Inc.
Tel: 1 800 328 6138
Email: sales@sicoinc.com

SICO Asia PTE LTD
Tel: (65) 6500 0800
Email: sales@sicoasia.com

SICO Europe Limited
Tel: +44(0) 1303 234 000
Email: sales@sico-europe.com

SICO Japan Inc.
Tel: +81(3) 3288 0145
Email: info@sico-japan.com

SICO Middle East DMCC
Tel: (971) 4 880 9388
Email: sales@sico-me.com

SICO South Pacific Limited
Tel: +61(2) 4336 1333
Email: sales@sicosp.com.au

