

SICO® Ellip-Table

A versatile table with a unique shaped top and stylish understructure.



Features, Advantages & Benefits

SICO® ARMOR-EDGE®

- The most durable edge available.
- Provides an incredibly tough edge to take hard everyday abuse without damage.
- Hermetically seals the tabletop and bench edges for sanitary purposes.
- Allows for easy clean-up, including steam cleaning.
- Proven track record for long-term durability.

High-pressure Laminate

- Tough .04" (.10cm) thickness high-pressure laminate for added durability and long-term wear.
- Sanitary and easy-to-clean.
- A large variety of striking colors and patterns are available to fit any color scheme.

Solid MDF Core

- Laminate tops are made with extremely durable ¾" MDF core material that is stronger than plywood or particleboard and resists warping.
- MDF core out-performs plywood or particleboard, is light-weight and resists warping.

Rigid Vinyl Backer Sheet

- Applied to the underside of the tabletops for moisture control and easy cleanup (including gum removal), stain resistance and fantastic appearance.
- Far superior to all types of paper backers.

Tamper Proof Expansion Rivets – Fastens tabletop firmly to the frame and will not work loose like ordinary screws.

Aircraft Lock-nuts – Superior construction lock-nuts are used at all pivot points. Nuts are tamper resistant and won't loosen over time for increased safety.

Assembly - No assembly required. Easy set up and take down. Conference tables can be set up or taken down 60% faster than folding leg tables.

Center Gravity Lock Bar - ½" (1.3cm) center gravity lock bar prevents anyone from raising center of table by sitting on the end. Easily released from either side.

Floating Fold Torsion Bar – Folding torsion bar assist system makes folding and un-folding tables fast and easy. A more durable and long-lasting system than others. Lifting is effortless.

3" Dual-wheel, Swivel Casters – No need for caddies. One person can easily roll and maneuver tables into service or storage. Rugged casters are constructed of reinforced nylon.

Two 7 Gauge Vertical Hinges – Won't trap food. Provides strength and durability.

Recessed Legs - No leg obstructions under table. Prevents bumping of knees.

Oval Tube Caster Beams - Built for additional strength and durability. Aesthetically pleasing design. 16-gauge steel tube within a tube design doubles the strength and durability.

Powder-coat Finished Legs - Finished for durability, appearance, and ease of cleaning.

Storage - Tables nest together requiring minimum of storage space. Need no caddy. No lifting.

Mobility - One person can easily roll this conference table into service or storage.

Free Space Analysis - Take advantage of the free space analysis drawings which will provide you with the appropriate number of tables and table accessories.

UL Listed – Passes UL testing standards as a safe and durable product.

Warranty – Protected by a **15-Year Warranty** against manufacturer's defects. **Lifetime Warranty** on welds.

Specifications

Model No.	Seating Capacity	Table Top	Table Height	Weight
TLG41F??02CS	Seats 12	¾" Thick. 10' L x 42 "W (305cm x 107cm)	29.88" (74cm)	184 lbs / 84kg
* Single Unit Storage Dimensions: 42"L x 34"W (107cm x 86cm)				

Laminate Options



* Check with a SICO Representative for additional laminate choices available.

Table Top Armor-Edge Options



Table Leg Frame Options



For More Information Visit: <http://www.sicoinc.com/ellip-table.php>

7525 Cahill Road, Minneapolis MN 55439

1.800.533.7426

SICO[®] Ellip-Table Dimensions

Top Height: 29"
Folded Height: 67 7/8" or 65 7/8"

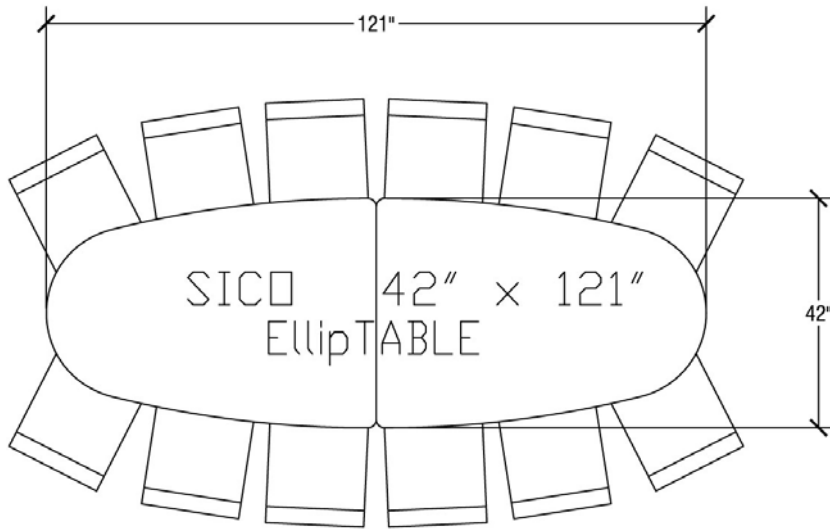
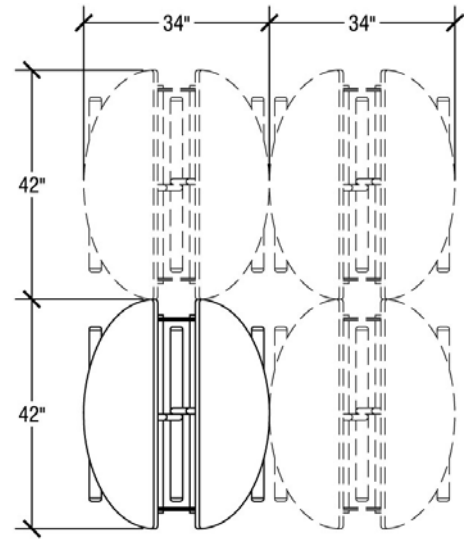


Table Dimensions



Storage Configuration



For More Information Visit: <http://www.sicoinc.com/ellip-table.php>
7525 Cahill Road, Minneapolis MN 55439
1.800.533.7426