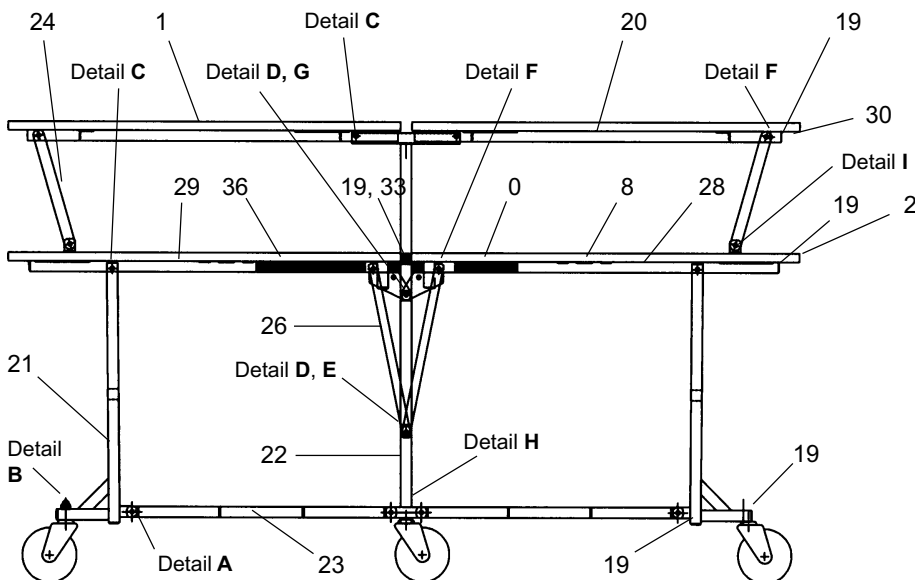


**SINGLE-TIER  
CATERING TABLE**

**TWO-TIER  
CATERING TABLE**



See page 4 for Detail drawings.

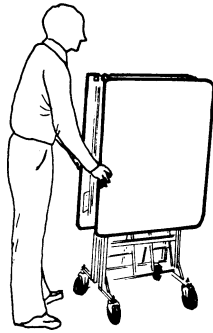
See inside pages for instructions on unfolding and folding.

Item No.	Description
0	Serial No. Plate
1	Top, 15"
2	Top, 28-1/2"
3	Caster, 5" Swivel
4	Caster, 5" Swivel, Locking
5	Nut, Acorn, 1/2"
6	Washer, Lock, 1/2"
8	Rivet, Drive, 1/4"
9	Nut, Lock, 3/8"
10	Capscrew, 3/8" x 2-3/4"
11	Capscrew, 3/8" x 1-3/4"
12	Capscrew, 3/8" x 1"
13	Capscrew, 3/8" x 1-1/4"
14	Capscrew, 3/8" x 2"
15	Nut, Lock, 1/2"
18	Instruction/PartsList Sheet
19	Plug, Tube, 1" Sq.
20	Frame, Top Shelf
21	Leg Weldment
22	Center Leg Weldment
23	Rack
24	Bar, Linkage
25	Bracket, Top Frame
26	Bar, Linkage
27	Washer, 3/8"
28	Frame, Top, RH (Two-Tier)
28	Frame Weldment, Top (Single-Tier)
29	Frame, Top, LH (Two-Tier)
30	Screw, #10 x 3/8"
33	Label
36	Label, Warning
37	Capscrew, 3/8" x 1-1/2"
38	Damper

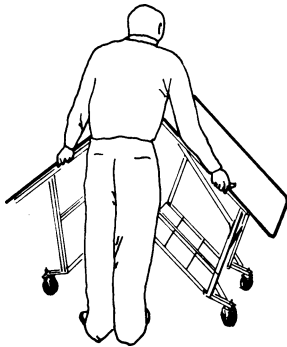
**IMPORTANT: Always provide Serial No. when ordering parts.**

# Single-Tier Catering Table

## To Unfold the Table for Use



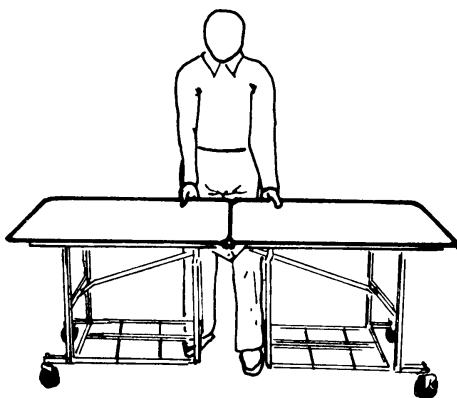
- 1 Place hands as shown.



- 2 Unfold SLOWLY.



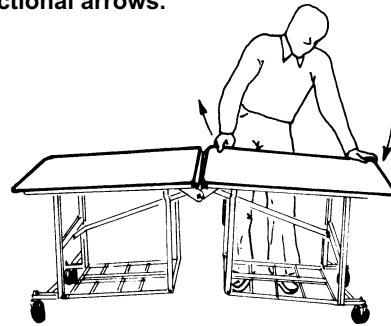
**CAUTION: Keep HANDS away from center of table when UNFOLDING.**



- 3 Lower to the floor.

## To Fold the Table for Storage

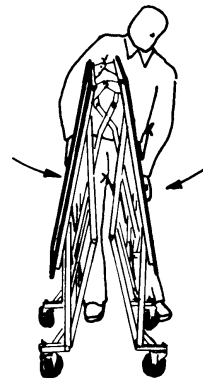
Follow directional arrows.



- 1 Grasp one section as shown.

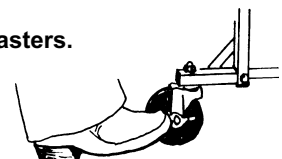


- 2 Lift center while pressing outside down.



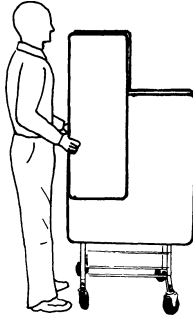
- 3 Press sections together.

All tables have two locking casters. To lock, step down on side marked "lock."



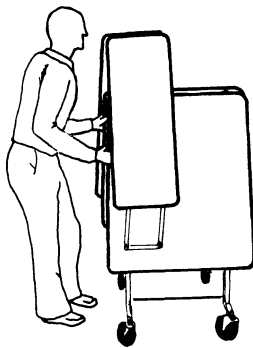
# Two-Tier Catering Table

## To Unfold the Table for Use



- 1 Pull out top shelves before unfolding.

 **CAUTION: Always move table from side shown.**



- 2 Place hands near center of lower shelves and unfold SLOWLY.

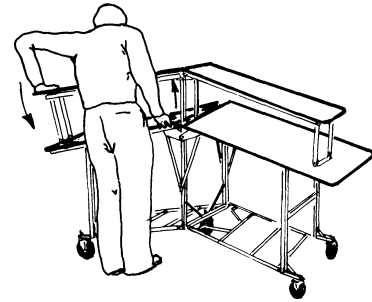
 **CAUTION: Keep HANDS away from center of table when UNFOLDING.**



- 3 Lower to the floor.

## To Fold the Table for Storage

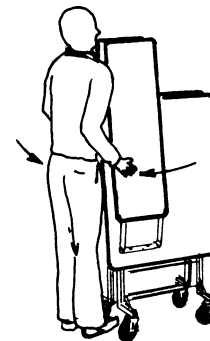
Follow directional arrows.



- 1 Grasp one section as shown.

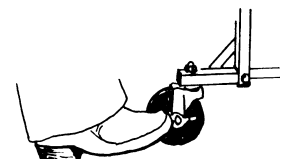


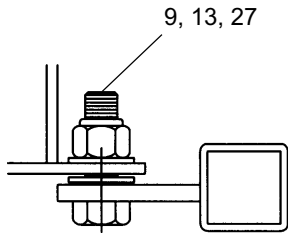
- 2 Lift center while pressing outside down.



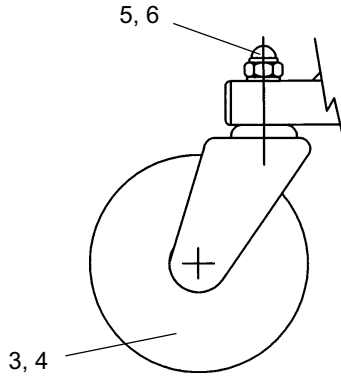
- 3 Press top shelves together.

All tables have two locking casters. To lock, step down on lock bracket.

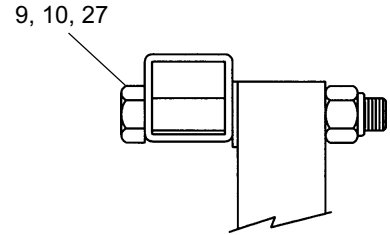




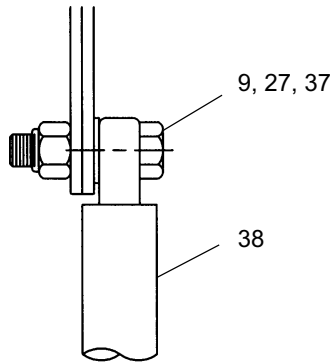
**Detail A**



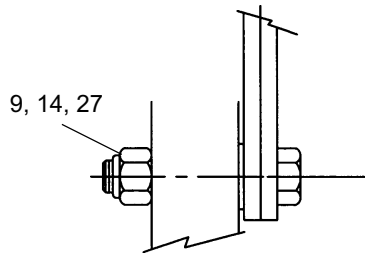
**Detail B**



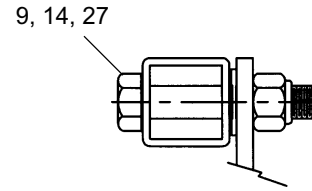
**Detail C**



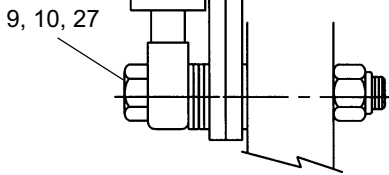
**Detail D**



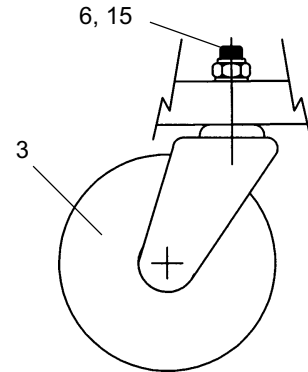
**Detail E**



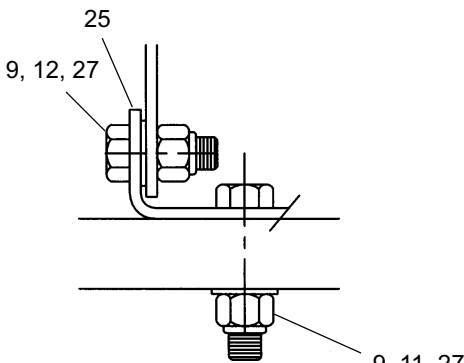
**Detail F**



**Detail G**



**Detail H**



**Detail I**

**Visit our website at [www.sicoinc.com](http://www.sicoinc.com)**

**The Americas**

SICO America Inc.  
USA  
In U.S., phone (800) 328-6138  
Outside U.S., (952) 941-1700  
Fax: (952) 941-6688  
E-mail: [sales@sicoinc.com](mailto:sales@sicoinc.com)

**Europe**

SICO Europe LTD.  
England  
Phone [44] (1303) 234000  
Fax: [44] (1303) 234001  
E-mail: [sales@sicoeurope.com](mailto:sales@sicoeurope.com)

**Spain & Portugal**

Sistemas SICO S.L.  
Spain  
Phone [34] (91) 358-9076  
Fax: [34] (91) 358-9264  
E-mail: [sico@sistemas-sico.com](mailto:sico@sistemas-sico.com)

**Australasia & South Africa**

SICO South Pacific  
Australia  
Phone [61] (2) 4388-5100  
Fax: [61] (2) 4389-1341  
E-mail: [sales@sicosp.com.au](mailto:sales@sicosp.com.au)

**Japan**

SICO Nippon Co., LTD  
Japan  
Phone [81] (3) 3791-2277  
Fax: [81] (3) 3791-3300  
E-mail: [siconpn@apricot.ocn.ne.jp](mailto:siconpn@apricot.ocn.ne.jp)

**Asean Countries/  
Korea & India**

SICO Asia PTE LTD.  
Singapore 118535  
Phone [65] 6472-2633  
Fax: [65] 6472-2600  
E-mail: [sales@sicoasia.com](mailto:sales@sicoasia.com)

**China**

SICO-SST  
China  
Phone [86] (10) 6467-9126  
Fax: [86] (10) 6466-4815  
E-mail: [sales@sico-sst.com](mailto:sales@sico-sst.com)