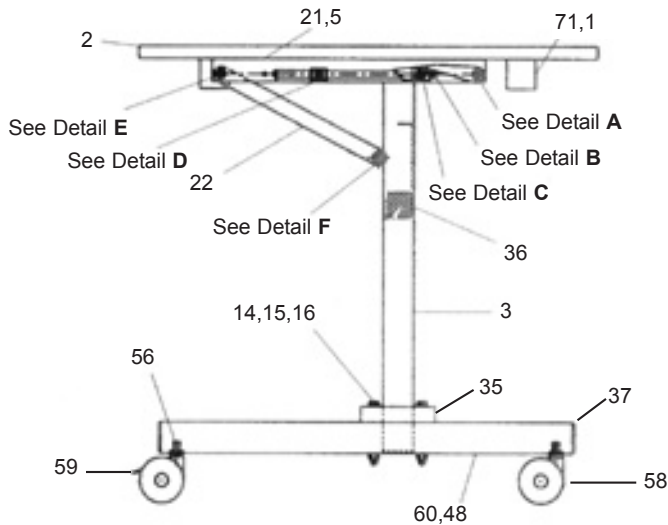




MULTIAPP TABLE

Model No. TUC-..... (Rectangular)



Item No.	Description	Item No.	Description
1	Rivet, 1/4" dia. x 3/8"	35	Plug, Tube, 1" x 1"
2	Top	36	Label
3	H-Support Assembly	37	Plug, Tube, 1" x 2"
5	Rivet, 1/4" dia. x 1/2"	48	Caster Beam Assembly, 24" (includes casters)
6	Nut, Lock, Thin, 3/8-24	48	Caster Beam Assembly, 30" (includes casters)
7	Pin, Spring, 3/8" x 1-1/2"	56	Nut, Flat, 1/2"
8	Block, Slide	58	Caster, 3"
10	Latch, without lock	59	Caster, Locking, 3"
13	Latch, with lock	60	Beam, Caster
14	Washer, Flat, 3/8"	71	Stiffener (Half Round only)
15	Nut, Lock, 3/8-24	80	Liner, Grommet (optional)
16	Capscrew, Hex-Head, 3/8-24 x 3-3/4"	81	Cap, Grommet (optional)
20	Spacer	83	FlexCap, 3/8"
21	Beam	84	Latch (optional)
22	Lever, Top Support	85	Keeper (optional)
25	Capscrew, Socket-Head, 5/16-18 x 2-1/4"	86	Screw, #10 x 7/8" (optional)
26	Capscrew, Hex-Head, 5/16-18 x 3"	87	Plate, Keeper (optional)
30	Nut, Lock, 5/16-18	88	Plate, Latch (optional)
31	Washer, Flat, 5/16"	89	Rivet, 1/4" (optional)
32	Capscrew, 3/8-24 x 2-1/4"	90	Latch Assembly (complete) (optional)
33	Nut, Lock, 5/16-18, Thin		

IMPORTANT: Always provide Serial No. when ordering parts.

<p>10 (far side)</p> <p>13 (near side)</p> <p>Detail A</p> <p>Detail B</p>	<p>Detail C</p>
<p>Detail D</p>	<p>Detail E</p>
<p>Detail F</p>	<p>Unit-to-Unit Connector (optional)</p> <p>Detail G</p>

SICO INCORPORATED
 P.O. Box 1169
 Minneapolis, Minnesota 55440, USA

Phone: (952) 941-1700
 FAX: (952) 941-6737

Customer Service: 1-800-424-0796

SICO Inc. reserves the right to substitute materials or make changes, if materials are not available or such changes improve the product.

Operation

To Fold the Table for Storage

On each end of the table, push the slide block all the way toward the latch (until the latch releases). Carefully fold the table.

To Unfold the Table for Use

Lift the bottom edge of the table top until the latch engages.

For added security, use a hex wrench to tighten the latch's lock screw.

