

**MATERIAL SPECIFICATIONS:**

- FRAME : .83 ALUMINUM EXTRUSION
- LEG : 3/4" X 18 GAUGE C.R.E.W. STEEL TUBING
- FLOORPLATE : 3/4" PAINTED PLYWOOD

**CONSTRUCTION SPECIFICATIONS:**

THE BED IS AVAILABLE IN THE 3 SIZES CHARTED IN THE MIDDLE OF THIS DRAWING. CEILING HEIGHT MUST BE A MINIMUM 100" FOR DOUBLE XL AND QUEEN SIZES AND 95" MINIMUM FOR DOUBLE SIZE.

THE BOTTOM OF THE BED FRAME PROVIDES THE WALL CLOSURE. BED IS SHIPPED WITH NO FACE, 3/8" FINISHED LAMINATE FACE IN CHOICE OF COLORS, OR WITH 3/8" PAINT-READY FACE PANEL.

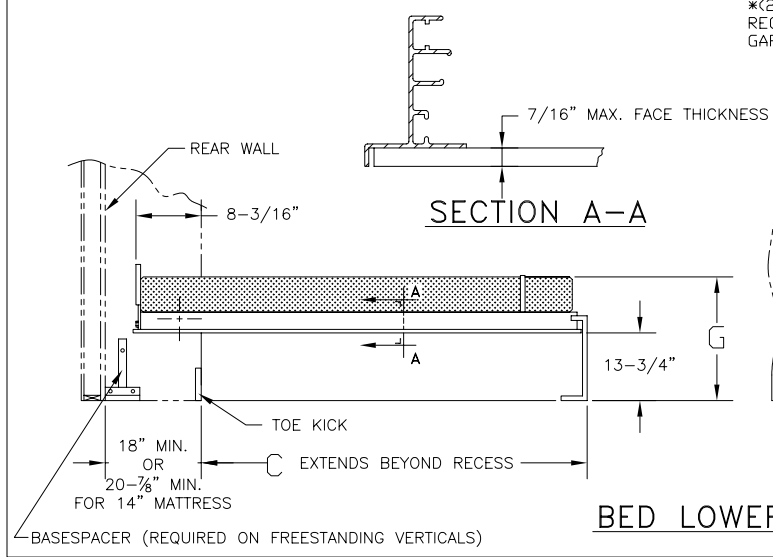
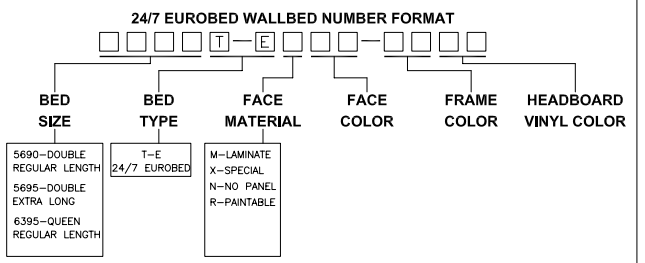
RECESS MUST BE CONSTRUCTED BEFORE BED IS INSTALLED. SHEETROCK CONSTRUCTION IS NOT ALLOWABLE ALONGSIDE BED FOR SUPPORT. BED MOUNTS INTO A STEEL ATTACHMENT PLATE WHICH IS SECURED TO EACH SIDE OF RECESS. A MINIMUM OF 3/4" PLYWOOD IS REQUIRED FOR ATTACHMENT OF PLATES AND BUMPERS.

TWO PULL HANDLES ARE PROVIDED WITH EACH BED FOR CUSTOMER TO INSTALL, OR THEY MAY USE THEIR OWN HANDLE DESIGN. (2) PILOT HOLES ARE DRILLED ALONG EACH SIDE OF THE FRAME ON 3" CENTERS FOR ATTACHING HANDLES.

ADJUSTMENT BOLTS ALLOW ALIGNMENT IN THE RECESS OPENING AND COMPENSATE FOR THE WEIGHT AND DIFFERENCES IN BED FACES. BED IS SHIPPED IN ONE CARTON.

BED SIZE	A	B	C	D	E	F	BED FACE SIZES	
							WIDTH	HEIGHT
DOUBLE	55-1/2"	84-7/8"	68-3/8"	56"	86-3/16"	68-13/16"	55-1/4"	76-3/4"
DOUBLE XL	55-1/2"	89-7/8"	73-5/16"	56"	91-3/16"	73-13/16"	55-1/4"	81-3/4"
QUEEN	62"	89-7/8"	73-5/16"	62-1/2"	91-3/16"	73-13/16"	30-13/16"*	81-3/4"

\* (2) FACE PANELS REQUIRED WITH 1/8" GAP BETWEEN PANELS.



MATTRESS TYPE	G
SILVER CREST	26-3/8" TO 27-3/8"
GOLD CREST	28-3/8" TO 29-3/8"
PLATINUM CREST	28-7/8" TO 29-7/8"

DO NOT SCALE DRAWING

**SICO** COPYRIGHT 2003

SICO AMERICA INC.  
7525 CAHILL ROAD  
EDINA, MN 55439  
PHONE: 1-800-328-6138  
WEB: WWW.SICOINC.COM

24/7 EUROBED WALLBED SPEC. DRAWING

71816T

DATE 2/16/05	REV A
DRAWN BY GDH	SHEET 1 of 1
CHK'D BY -	
SCALE NTS	U/M N/A
FINISH N/A	